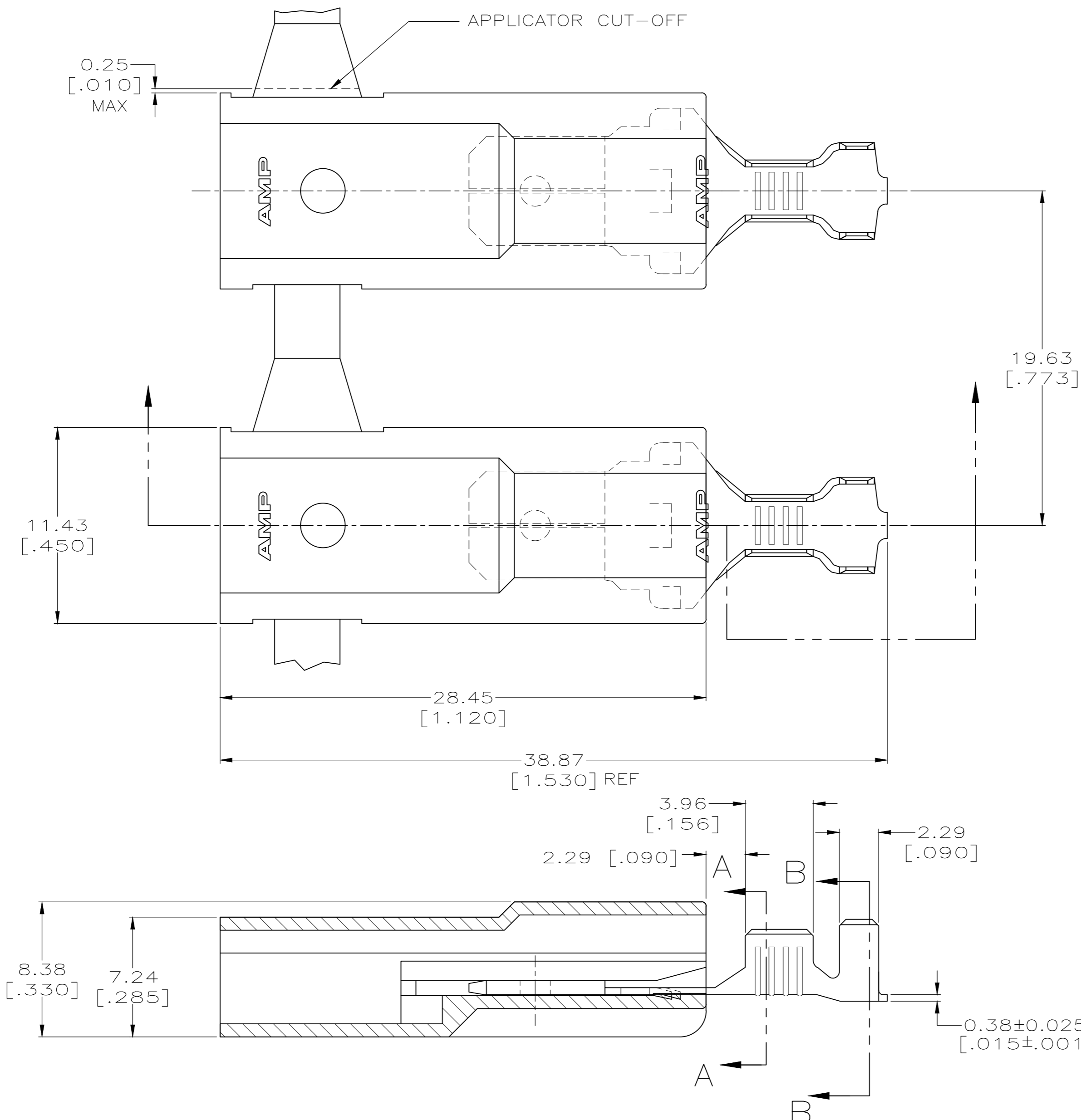
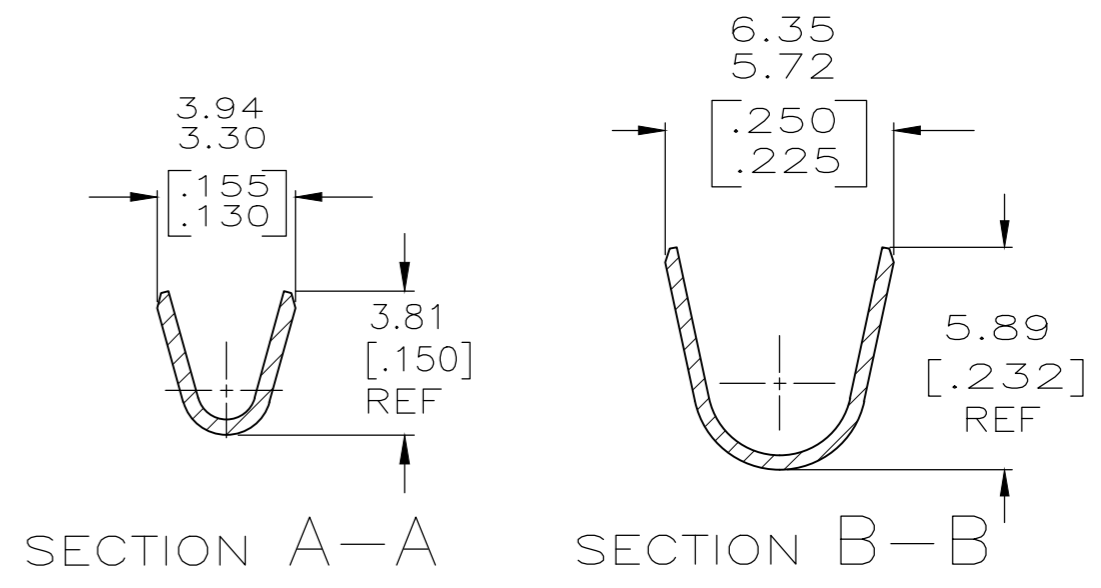


THIS DRAWING IS UNPUBLISHED. RELEASED FOR PUBLICATION  
 © COPYRIGHT - By - ALL RIGHTS RESERVED.

LOC		DIST		REVISIONS			
P	LTR	DESCRIPTION		DATE	DWN	APVD	
AF	50	G4		REVISED PER ECR-19-018127	10AUG20	AA	EW



- 1 FASTON TAB BASE #1217166, ARE USED IN THIS PRODUCT.
- 2 WIRE SIZE IS [#18-#14] AWG.
- 3 INSULATION RANGE IS 3.30-4.57 [.130-.180] DIA.
- 4 MATES WITH A 6.35 X 0.81 [.250 X .032] RECEPTACLE.
- 5 MATERIAL & FINISH  
 TERMINAL - BRASS, SEE TABLE  
 HOUSING - 6/6 NYLON, NATURAL
- 6 PRELIMINARY -NOT FOR PRODUCTION



NICKEL PLATE	521217-3	6
TIN PLATE	521217-2	
OBSELETE	-	-521217-1
FINISH	PART NO.	

THIS DRAWING IS A CONTROLLED DOCUMENT.

DWN	JR RUTH	20MAY99
CHK	MS FEHER	20MAY99
APVD	J HUMMEL	20MAY99
PRODUCT SPEC	108-1285	
APPLICATION SPEC	114-2124	
MATERIAL	FINISH	WEIGHT
5	5	-

TE Connectivity

ASSEMBLY, TAB, ULTRA-POD, 6.35 [.250] SERIES

SIZE	CAGE CODE	DRAWING NO	RESTRICTED TO
A2	00779	C=521217	-
CUSTOMER DRAWING	SCALE	SHEET	REV
	5:1	1 of 1	G4

单击下面可查看定价，库存，交付和生命周期等信息

[>>TE Connectivity\(泰科\)](#)