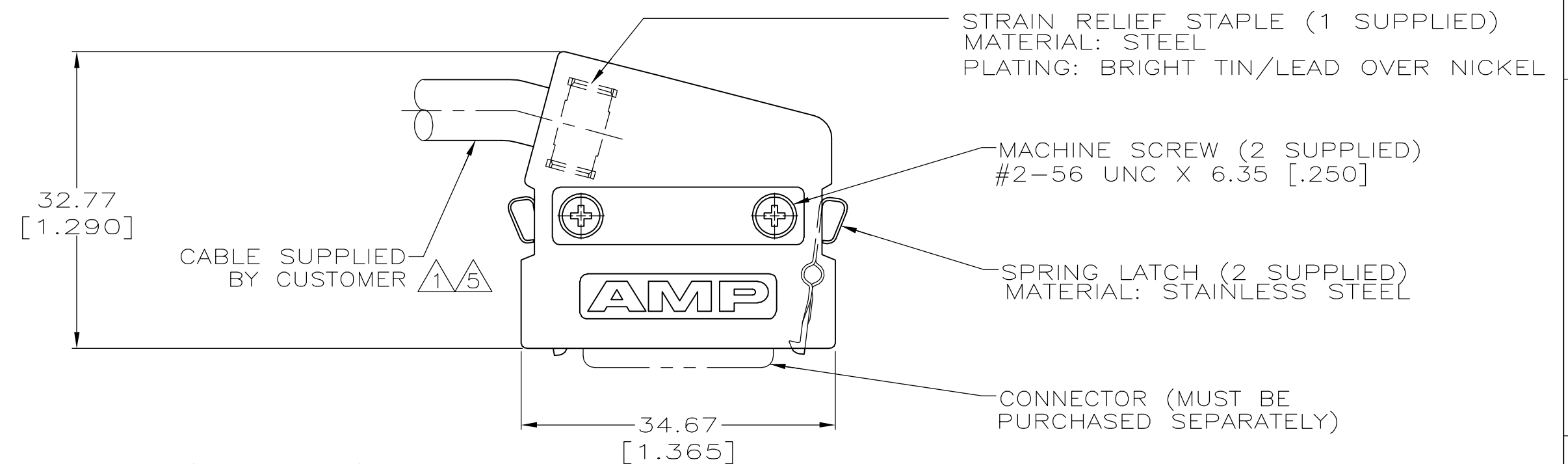
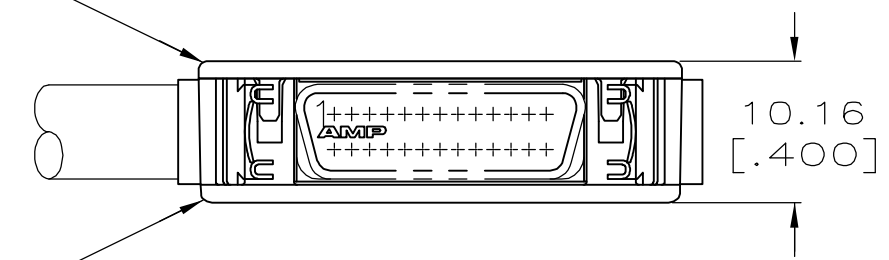


LOC	DIST	REVISIONS					
GP	00	P	LTR	DESCRIPTION	DATE	DWN	APVD
			E1	REVISED PER ECO-05-009847	10FEB06	BM	SS



UPPER BACKSHELL (1 SUPPLIED)
 MATERIAL: ZINC
 PLATING: NICKEL OVER COPPER



LOWER BACKSHELL (1 SUPPLIED)
 MATERIAL: ZINC
 PLATING: NICKEL OVER COPPER

	△4	△5	△6	749609-3
OBSOLETE	△4	△1		749609-2
	△3	△1		749609-1
	PACKAGING	MAX CABLE DIA.	PART NUMBER	

- △1 6.86 [.270] MAX CABLE DIA.
- 2. DIMENSIONS IN BRACKETS ARE IN INCHES.
- △3 PACKAGED ONE KIT PER BAG.
- △4 BULK PACKAGED.
- △5 8.13 [.320] MAX CABLE DIA.
- △6 PRELIMINARY, NOT RELEASED FOR PRODUCTION.

THIS DRAWING IS A CONTROLLED DOCUMENT.		DWN	M.MCCAFFREY	05/08/89	tyco Electronics	Tyco Electronics Corporation	
		CHK	M.E.SHIRK	05/11/89		Harrisburg, PA 17105-3608	
DIMENSIONS: mm[INCHES]		TOLERANCES UNLESS OTHERWISE SPECIFIED:		NAME			
		0 PLC ± -		INDIVIDUAL KIT, UNASSEMBLED, 26 POSITION,			
		1 PLC ± -		75 DEGREE EXIT, UNKEYED,			
		2 PLC ± -		AMPLIMITE .050 Series			
		3 PLC ± 0.38 [.015]		SIZE			
		4 PLC ± -		CAGE CODE			
		ANGLES ± -		DRAWING NO			
MATERIAL		FINISH		RESTRICTED TO			
				A3 00779 C-749609			
CUSTOMER DRAWING				SCALE	2:1	SHEET	1 OF 1
				REV E1			

单击下面可查看定价，库存，交付和生命周期等信息

[>>TE Connectivity\(泰科\)](#)