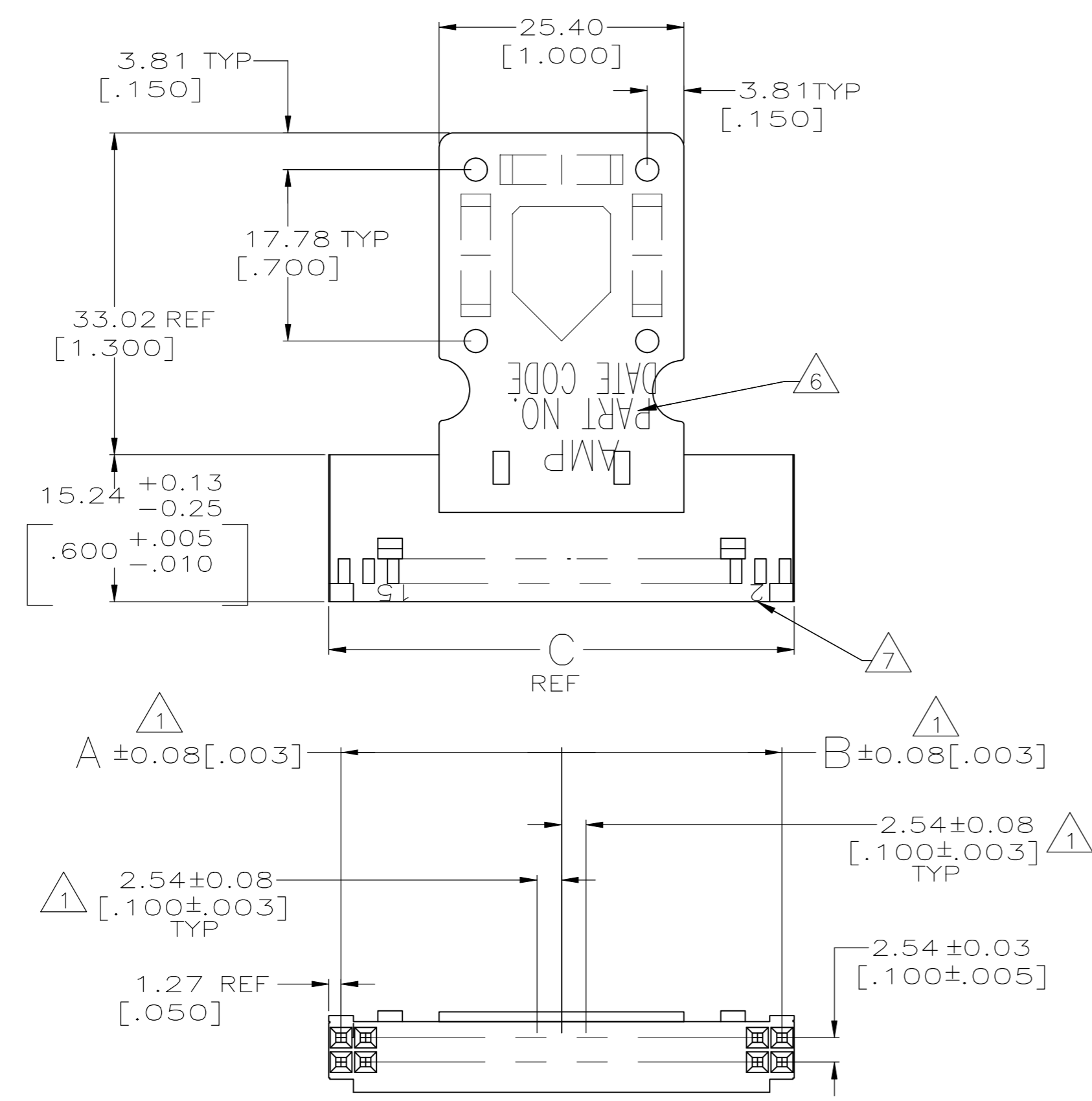
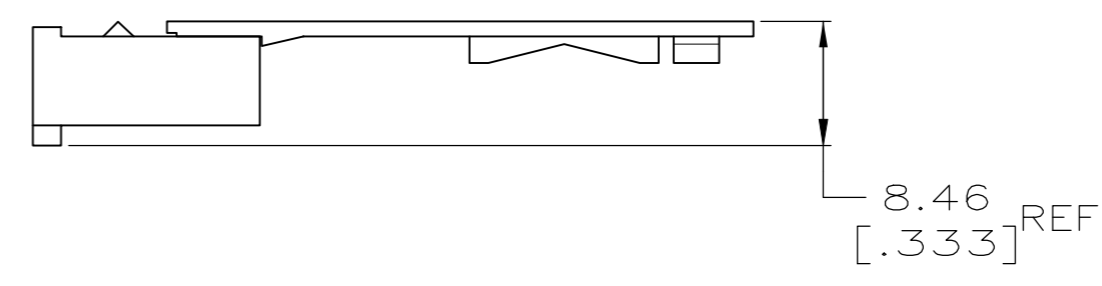


THIS DRAWING IS UNPUBLISHED.
 RELEASED FOR PUBLICATION
 ALL RIGHTS RESERVED.

REVISIONS					
P	LTR	DESCRIPTION	DATE	DWN	APVD
	H3	REVISED PER ECO-11-004820	11MAR11	RK	HMR
	J	REVISED PER ECO-18-000976	13APR2018	RS	JO



- 1 CAVITY LOCATION DIMENSIONS INCREASE IN INCREMENTS OF 2.54 [.100] TOLERANCE NON-CUMULATIVE.
- 2 USE EXTRACTION TOOL 91052-1 TO REMOVE RECEPTACLE CONTACTS.
- 3 THIS HOUSING IS COMPATIBLE WITH MOD II WHROUDED HEADERS.
- 4 HOUSING WILL ACCOMODATE ALL MOD IV, IV.5 AND MOD V CONTACTS.
- 5 OBSOLETE PART NUMBER.
- 6 'AMP', PART NO. AND DATE CODE MARKED EITHER SIDE.
- 7 MARK SECOND AND EVERY FIFTH CAVITY, (ONE SIDE)
- 8 HOUSING: GLASS FILLED NYLON, BLACK
RELIEF: GLASS FILLED NYLON, BLACK
- 9 OBSOLETE PARTS: OBSOLETE CIS STREAMLINING PER D.RENAUD/D.SINISI



THIS DRAWING IS A CONTROLLED DOCUMENT.		DWN E.BRANDBERG 6-16-94	TE Connectivity Ltd.	
DIMENSIONS: mm [INCHES]		CHK P. SREMCICH 6-16-94		
TOLERANCES UNLESS OTHERWISE SPECIFIED:		APVD -	HOUSING ASSEMBLY, MOD IV, DBL ROW, 2.54 [.100]	
0 PLC ± -		PRODUCT SPEC	SIZE CAGE CODE DRAWING NO RESTRICTED TO	
1 PLC ± -		APPLICATION SPEC	A2 00779 C-87733 -	
2 PLC ± 0.13 [.005]		WEIGHT	SCALE 2:1 SHEET 1 OF 2 REV J	
3 PLC ± -		CUSTOMER DRAWING		
4 PLC ± -				
ANGLES ± -				
MATERIAL				
FINISH				
8				

THIS DRAWING IS UNPUBLISHED. RELEASED FOR PUBLICATION
 © COPYRIGHT - By - ALL RIGHTS RESERVED.

REVISIONS					
P	LTR	DESCRIPTION	DATE	DWN	APVD
-	-	SEE SHEET 1	-	-	-
-	-	SEE SHEET 1	-	-	-

NONE	81.28 [3.200]	38.10 [1.500]	40.64 [1.600]	64	△5	5-87733-0
NONE	73.66 [2.900]	35.56 [1.400]	35.56 [1.400]	58	△5	4-87733-9
NONE	71.12 [2.800]	33.02 [1.300]	35.56 [1.400]	56	△5	4-87733-8
NONE	60.96 [2.400]	27.94 [1.100]	30.48 [1.200]	48	△5	4-87733-7
NONE	91.44 [3.600]	43.18 [1.700]	45.72 [1.800]	72	△5	4-87733-6
NONE	88.90 [3.500]	43.18 [1.700]	43.18 [1.700]	70	△5	4-87733-5
NONE	83.82 [3.300]	40.64 [1.600]	40.64 [1.600]	66	△5	4-87733-4
NONE	76.20 [3.000]	35.56 [1.400]	38.10 [1.500]	60	△5	4-87733-3
NONE	68.58 [2.700]	33.02 [1.300]	33.02 [1.300]	54	△5	4-87733-2
NONE	66.04 [2.600]	30.48 [1.200]	33.02 [1.300]	52	△5	4-87733-1
NONE	63.50 [2.500]	30.48 [1.200]	30.48 [1.200]	50	△5	4-87733-0
NONE	55.88 [2.200]	25.40 [1.000]	27.94 [1.100]	44	△5	3-87733-9
NONE	53.34 [2.100]	25.40 [1.000]	25.40 [1.000]	42	△5	3-87733-8
NONE	50.80 [2.000]	22.86 [.900]	25.40 [1.000]	40	△5	3-87733-7
NONE	48.26 [1.900]	22.86 [.900]	22.86 [.900]	38	△5	3-87733-6
NONE	45.72 [1.800]	20.32 [.800]	22.86 [.900]	36	△5	3-87733-5
NONE	43.18 [1.700]	20.32 [.800]	20.32 [.800]	34	△5	3-87733-4
NONE	40.64 [1.600]	17.78 [.700]	20.32 [.800]	32	△5	3-87733-3
NONE	38.10 [1.500]	17.78 [.700]	17.78 [.700]	30	△5	3-87733-2
NONE	35.56 [1.400]	15.24 [.600]	17.78 [.700]	28	△5	3-87733-1
NONE	33.02 [1.300]	15.24 [.600]	15.24 [.600]	26	△5	3-87733-0
NONE	30.48 [1.200]	12.70 [.500]	15.24 [.600]	24	△5	2-87733-9
NONE	27.94 [1.100]	12.70 [.500]	12.70 [.500]	22		2-87733-8
NONE	25.4 [1.000]	10.16 [.400]	12.70 [.500]	20	△5	2-87733-7
ALL	81.28 [3.200]	38.10 [1.500]	40.64 [1.600]	64	△5	2-87733-6
MARKING	C	B	A	NO OF POSN		PART NUMBER

ALL	73.66 [2.900]	35.56 [1.400]	35.56 [1.400]	58	△5	2-87733-5
ALL	71.12 [2.800]	33.02 [1.300]	35.56 [1.400]	56	△5	2-87733-4
ALL	60.96 [2.400]	27.94 [1.100]	30.48 [1.200]	48	△5	2-87733-3
-	-	-	-	-		-
-	-	-	-	-		-
ALL	91.44 [3.600]	43.18 [1.700]	45.72 [1.800]	72	△5	2-87733-0
ALL	88.90 [3.500]	43.18 [1.700]	43.18 [1.700]	70	△5	1-87733-9
ALL	83.82 [3.300]	40.64 [1.600]	40.64 [1.600]	66	△5	1-87733-8
ALL	76.20 [3.000]	35.56 [1.400]	38.10 [1.500]	60		1-87733-7
ALL	68.58 [2.700]	33.02 [1.300]	33.02 [1.300]	54	△5	1-87733-6
ALL	66.04 [2.600]	30.48 [1.200]	33.02 [1.300]	52	△5	1-87733-5
ALL	63.50 [2.500]	30.48 [1.200]	30.48 [1.200]	50		1-87733-4
ALL	55.88 [2.200]	25.40 [1.000]	27.94 [1.100]	44	△5	1-87733-3
ALL	53.34 [2.100]	25.40 [1.000]	25.40 [1.000]	42	△5	1-87733-2
ALL	50.80 [2.000]	22.86 [.900]	25.40 [1.000]	40		1-87733-1
ALL	48.26 [1.900]	22.86 [.900]	22.86 [.900]	38	△5	1-87733-0
ALL	45.72 [1.800]	20.32 [.800]	22.86 [.900]	36	△5	87733-9
ALL	43.18 [1.700]	20.32 [.800]	20.32 [.800]	34		87733-8
ALL	40.64 [1.600]	17.78 [.700]	20.32 [.800]	32		87733-7 △9
ALL	38.10 [1.500]	17.78 [.700]	17.78 [.700]	30		87733-6
ALL	35.56 [1.400]	15.24 [.600]	17.78 [.700]	28	△5	87733-5
ALL	33.02 [1.300]	15.24 [.600]	15.24 [.600]	26		87733-4
ALL	30.48 [1.200]	12.70 [.500]	15.24 [.600]	24		87733-3
ALL	27.94 [1.100]	12.70 [.500]	12.70 [.500]	22	△5	87733-2
ALL	25.4 [1.000]	10.16 [.400]	12.70 [.500]	20		87733-1
MARKING	C	B	A	NO OF POSN		PART NUMBER

THIS DRAWING IS A CONTROLLED DOCUMENT.

DWN E. BRANDBERG 6-16-94	TE Connectivity Ltd.
CHK P. SREMCICH 6-16-94	
APVD -	NAME
PRODUCT SPEC -	HOUSING ASSEMBLY, MOD IV, DBL ROW, 2.54[.100]
APPLICATION SPEC -	SIZE A2
WEIGHT -	CAGE CODE 00779
FINISH -	DRAWING NO C-87733
	RESTRICTED TO -
	CUSTOMER DRAWING
	SCALE 2:1
	SHEET 2 OF 2
	REV J

D

D

C

C

B

B

A

A

单击下面可查看定价，库存，交付和生命周期等信息

[>>TE Connectivity\(泰科\)](#)