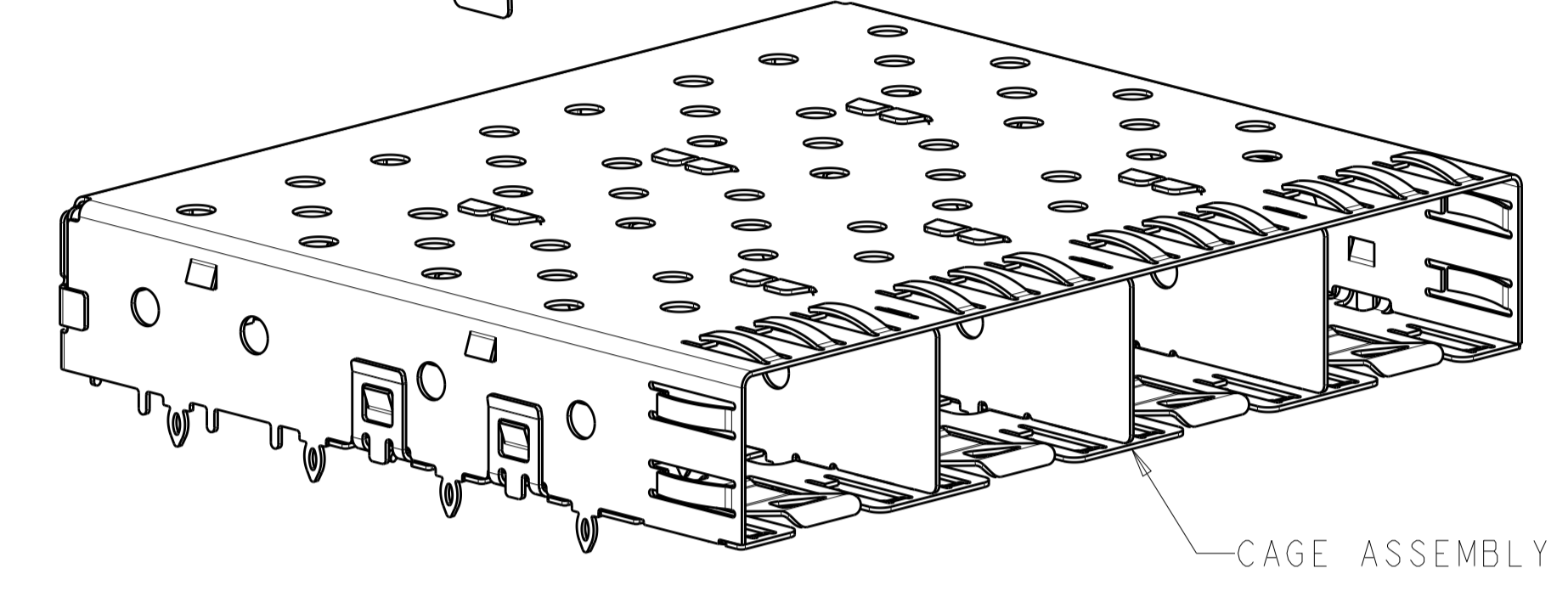
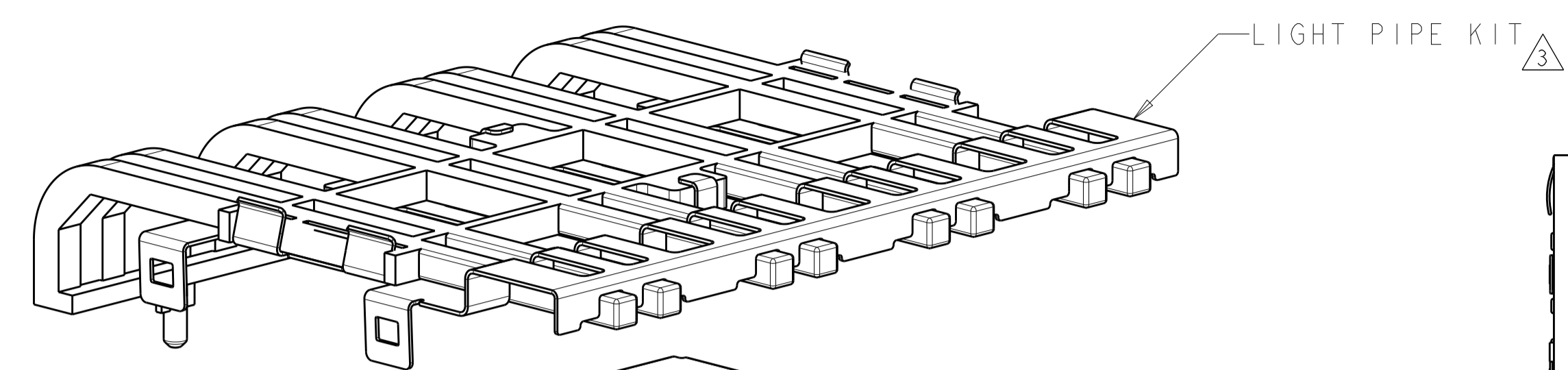
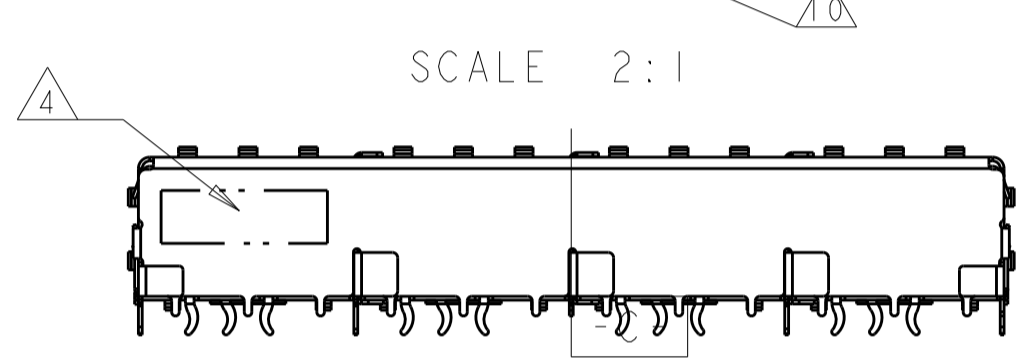
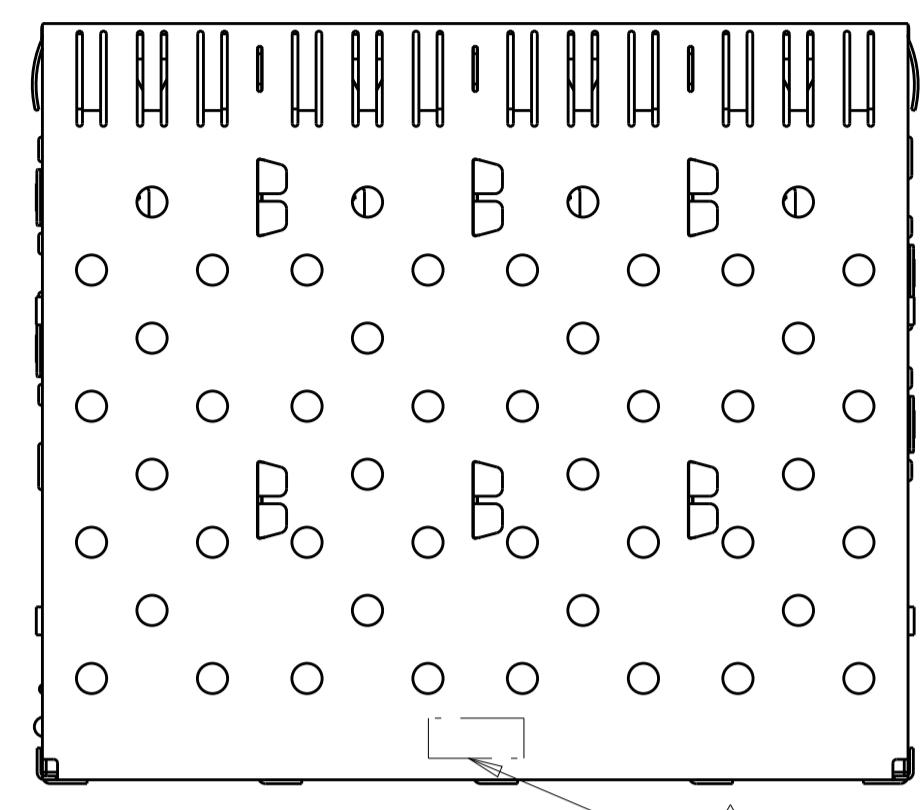


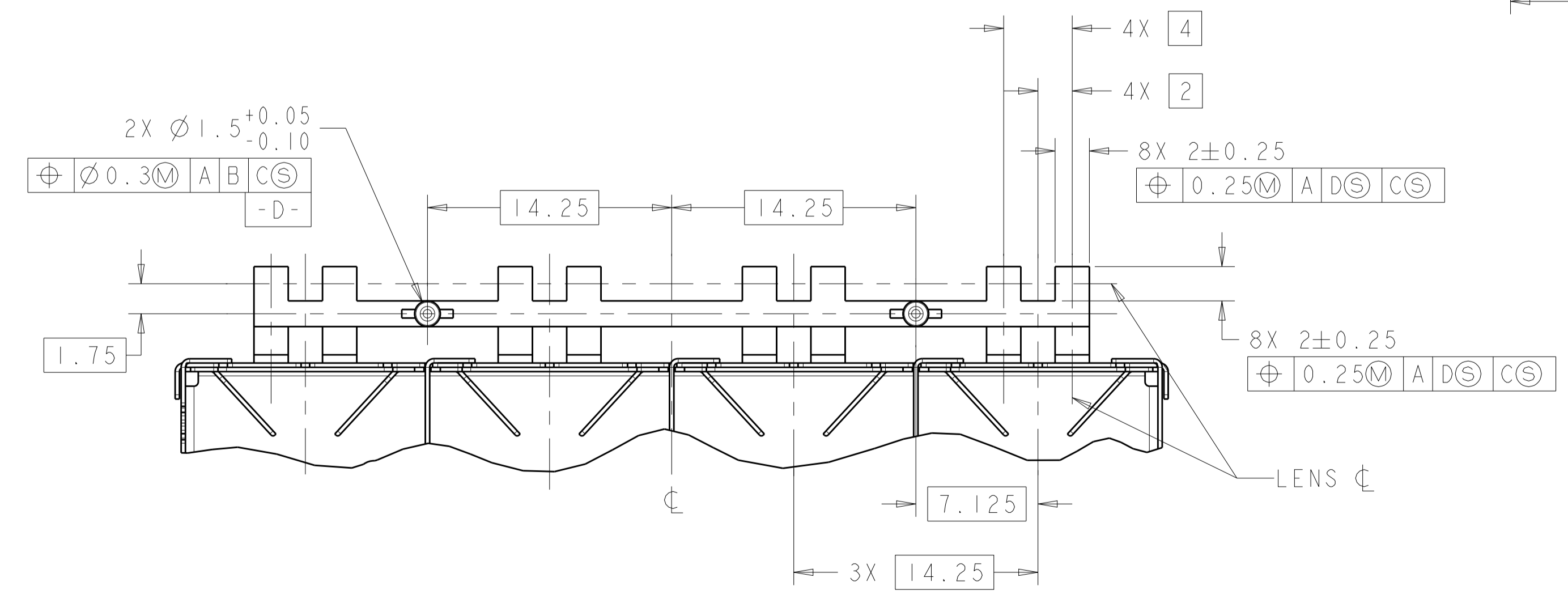
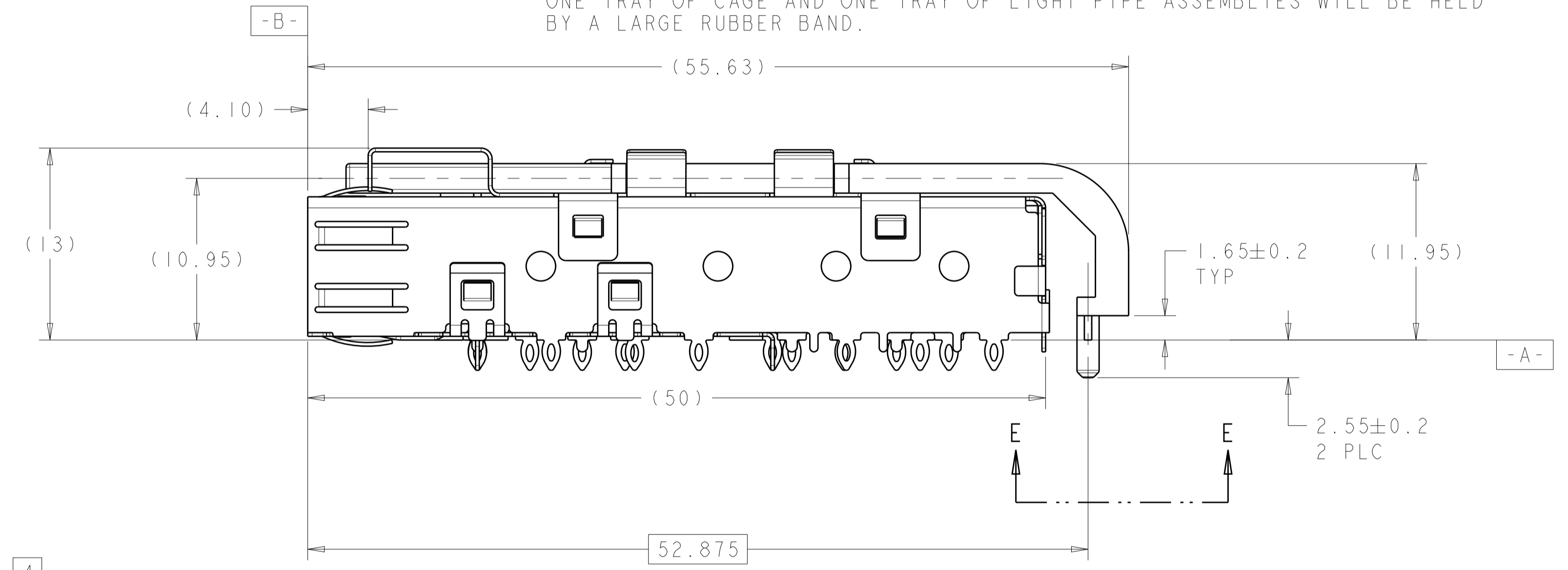
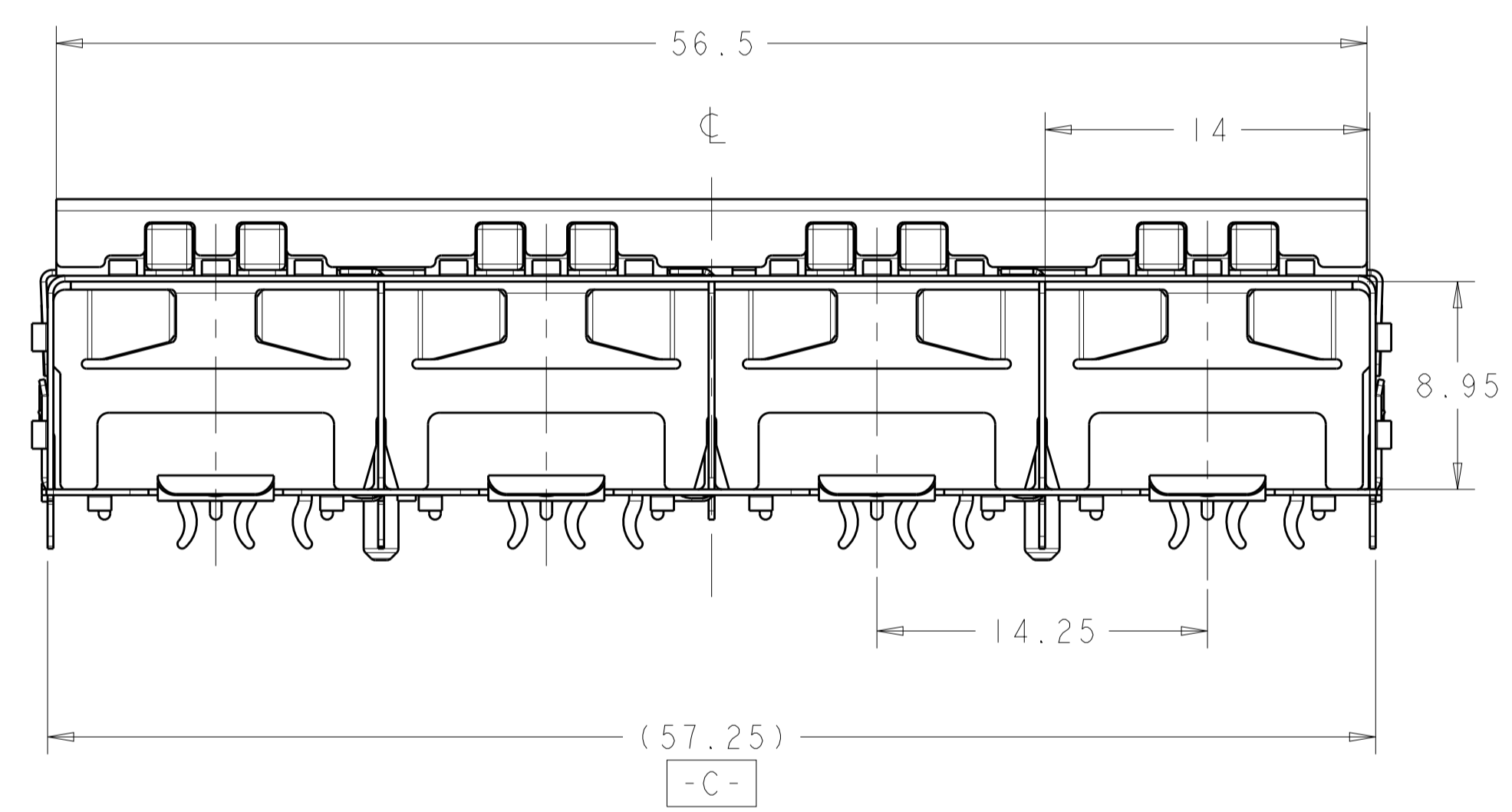
LOC	DIST	REVISIONS					
GP	00	P	LTN	DESCRIPTION	DATE	DWN	APVD
		E1		REVISED PER ECO-11-007052	06APR2011	JY	CW
		F		REVISED PER ECO-14-000886	20FEB2014	JW	SH
		F1		REVISED PER ECO-14-010419	11JUL2014	JW	SH
		G		REVISED PER ECO-15-013594	22SEP2015	JW	SH



1761008-1, -2, -3, -4
 SCALE 3:1



- △ PADS AND VIAS CHASSIS GROUND.
- △ DATUM AND BASIC DIMENSIONS ESTABLISHED BY CUSTOMER.
- △ LIGHT PIPE KIT WHICH IS SEPARATE FROM THE CAGE ASSEMBLY. KIT TO BE ATTACHED AFTER SEATING OF 1658744-1&3 ON PCB.
- △ DATE CODE AND PART NUMBER IN APPROXIMATE AREA SHOWN LABEL ON CAGE ASSEMBLY WILL HAVE PART NUMBER 1658744-1&3.
- 5. REFERENCE STYLE 1 ON APPLICATION SPECIFICATION 114-13165 FOR ADDITIONAL INFORMATION ON CAGE ASSEMBLIES WITH LIGHT PIPES.
- △ REFERENCE APPLICATION SPEC 114-13120, HOLE A, FOR RECOMMENDED DRILL HOLE DIAMETER AND PLATING THICKNESSES.
- △ REFERENCE APPLICATION SPEC 114-13120, HOLE B, FOR RECOMMENDED DRILL HOLE DIAMETER AND PLATING THICKNESSES.
- △ PATTERN REPEATS FOR EACH PORT. SPACING BETWEEN PORTS IS 14.25mm.
- △ MINIMUM PC BOARD THICKNESS = 1.50mm.
- △ COMPANY LOGO IN APPROXIMATE AREA SHOWN.
- △ BOX WILL CONTAIN TRAYS OF CAGES AND TRAYS OF LIGHT PIPE ASSEMBLIES.
- △ BOX WILL CONTAIN TRAYS OF CAGES AND TRAYS OF LIGHT PIPE ASSEMBLIES. ONE TRAY OF CAGE AND ONE TRAY OF LIGHT PIPE ASSEMBLIES WILL BE HELD BY A LARGE RUBBER BAND.



VIEW E-E
 ROTATED 90° COUNTERCLOCKWISE

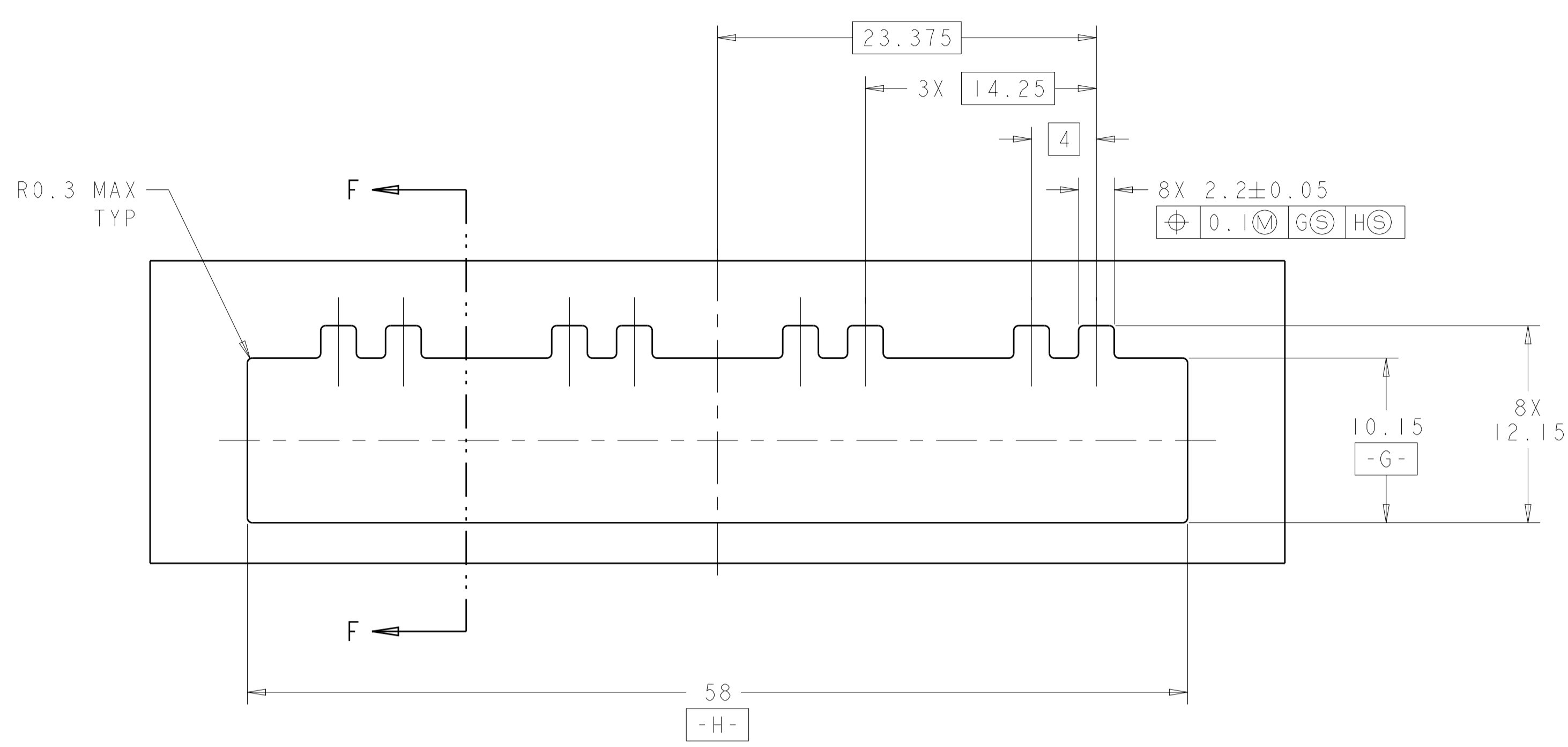
SUPERSEDED BY:
 1761008-4
SUPERSEDED BY:
 1761008-3

1761012-3	1658744-3	△	1X4 ASSEMBLY	1761008-4
1761012-3	1658744-3	△	1X4 ASSEMBLY	1761008-3
1761012-1	1658744-1	△	1X4 ASSEMBLY	1761008-2
1761012-1	1658744-1	△	1X4 ASSEMBLY	1761008-1
LIGHT PIPE KIT	CAGE ASSEMBLY	PACKAGE	DESCRIPTION	PART NO.

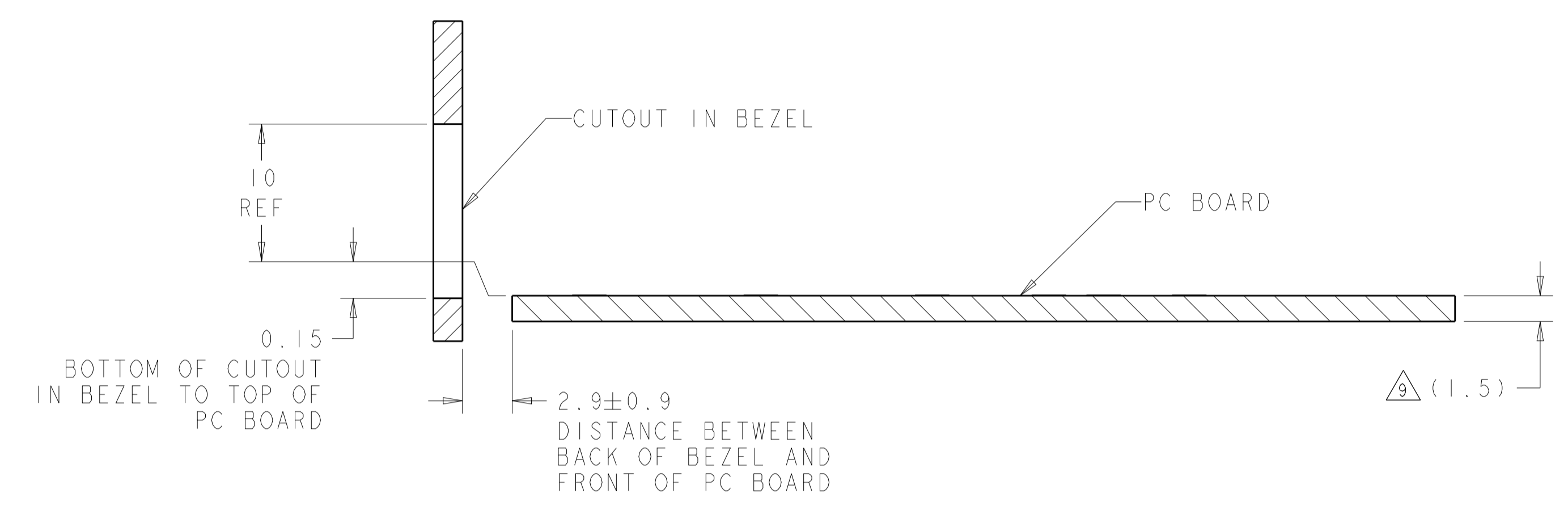
DIMENSIONS:		TOLERANCES UNLESS OTHERWISE SPECIFIED:		MATERIAL:		FINISH:	
mm	0 PLC	±0.1					
	1 PLC	±0.1					
	2 PLC	±0.10					
	3 PLC	±0.100					
	4 PLC	±					
	ANGLES	±					

THIS DRAWING IS A CONTROLLED DOCUMENT.		DWN J.W. VAN SCOIC 02FEB2004		CHK M. PHILLIPS 02FEB2004		APVD M. PHILLIPS 02FEB2004	
PRODUCT SPEC		108-1950		APPLICATION SPEC		114-13120	
WEIGHT				CUSTOMER DRAWING		SCALE 4:1 SHEET 1 OF 3 REV G	

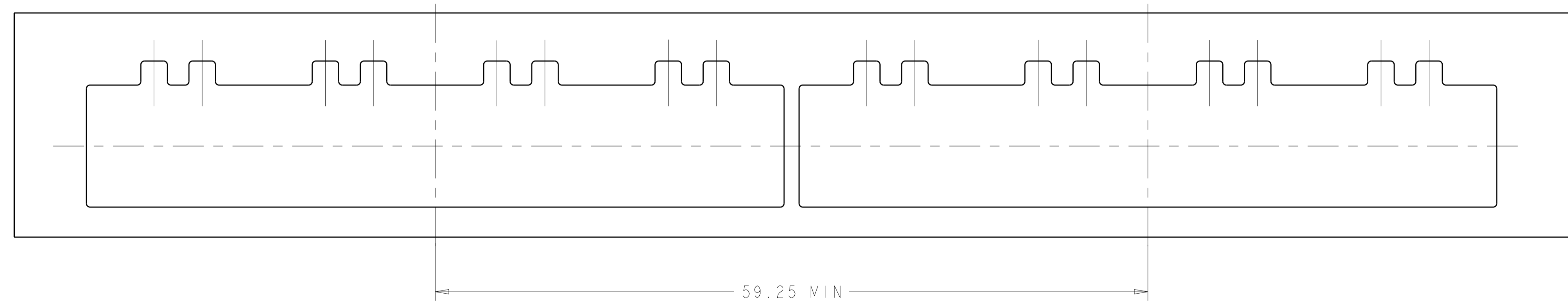
LOC		DIST		REVISIONS			
P	LTN	DESCRIPTION	DATE	DWN	APVD		
-	-	SEE SHEET 1	-	-	-		



RECOMMENDED BEZEL CUTOUT



SECTION F-F
 RECOMMENDED BEZEL CONFIGURATION



THIS DRAWING IS A CONTROLLED DOCUMENT.		DWN: W. VAN SCOY 02FEB2004	TE Connectivity
DIMENSIONS: mm		CHK: M. PHILLIPS 02FEB2004	
TOLERANCES UNLESS OTHERWISE SPECIFIED:		APVD: M. PHILLIPS 02FEB2004	NAME: SFP 1X4 CAGE ASSEMBLY WITH LIGHT PIPE
0 PLC ±0.1	1 PLC ±0.1	PRODUCT SPEC 108-1950	SIZE: A100779
2 PLC ±0.10	3 PLC ±0.100	APPLICATION SPEC 114-13120	CAGE CODE: C=1761008
4 PLC ±	ANGLES ±0°30'	WEIGHT	RESTRICTED TO
MATERIAL	FINISH	CUSTOMER DRAWING	SCALE: 4:1 SHEET 2 OF 3 REV G

单击下面可查看定价，库存，交付和生命周期等信息

[>>TE Connectivity\(泰科\)](#)