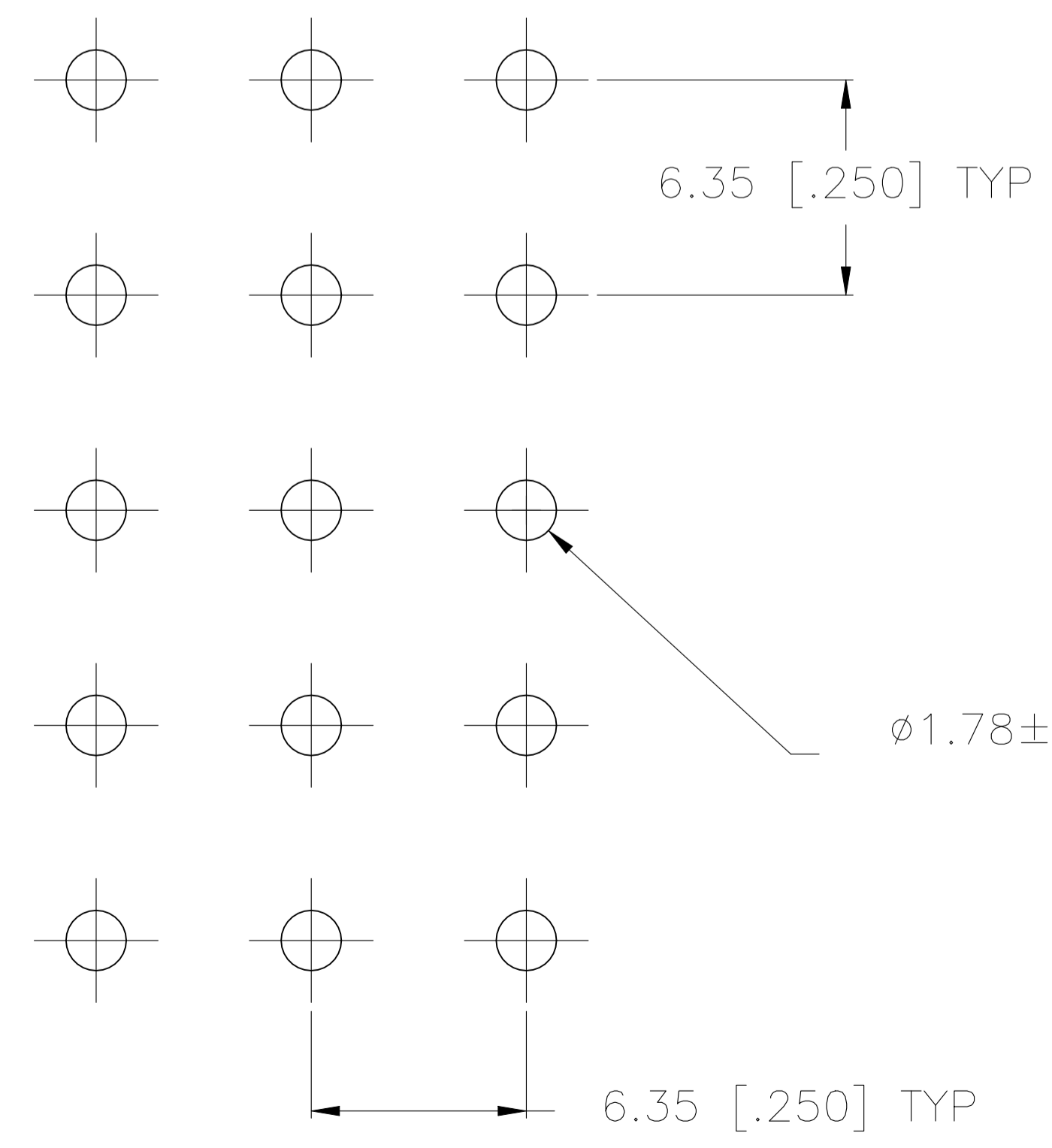
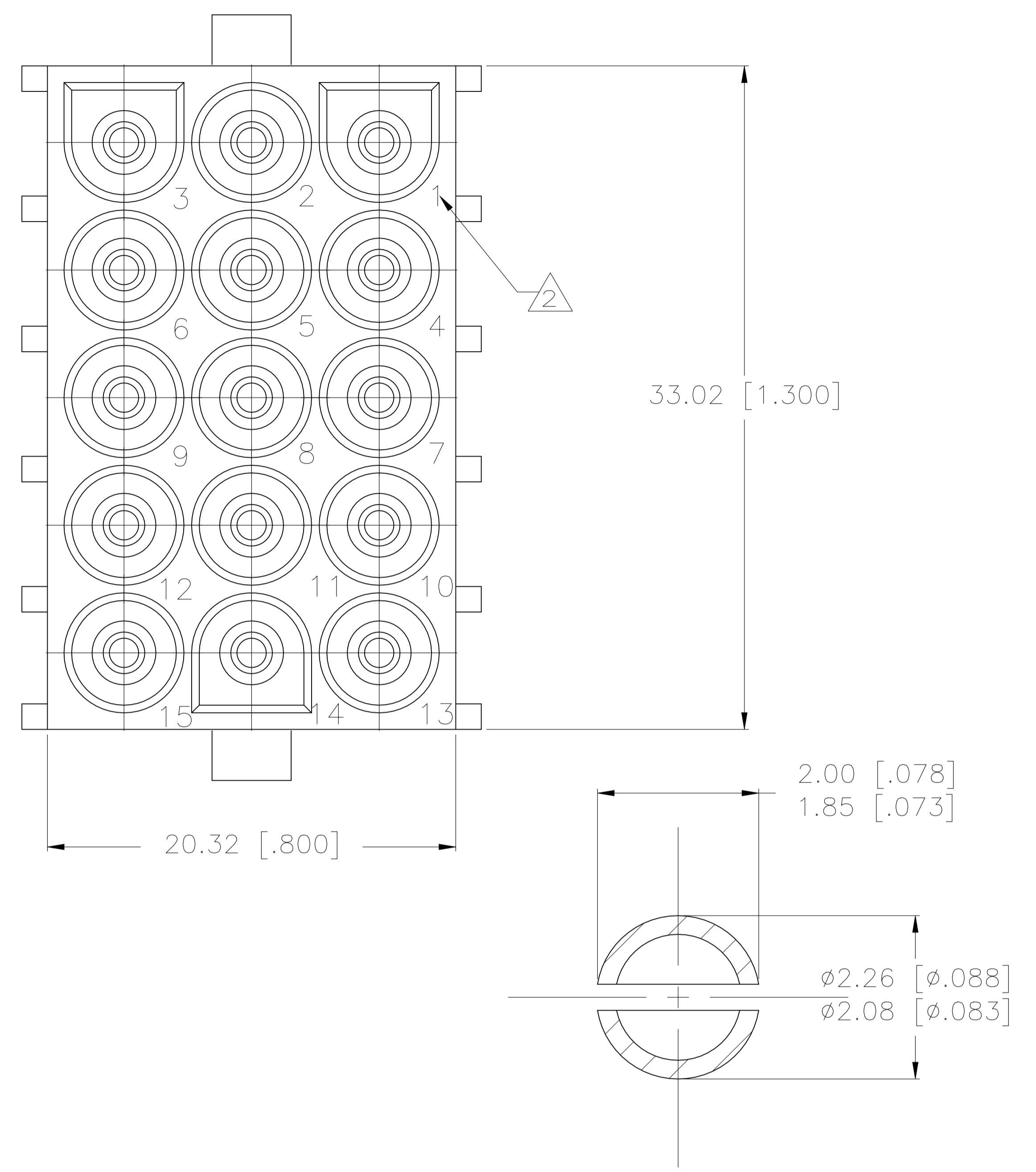
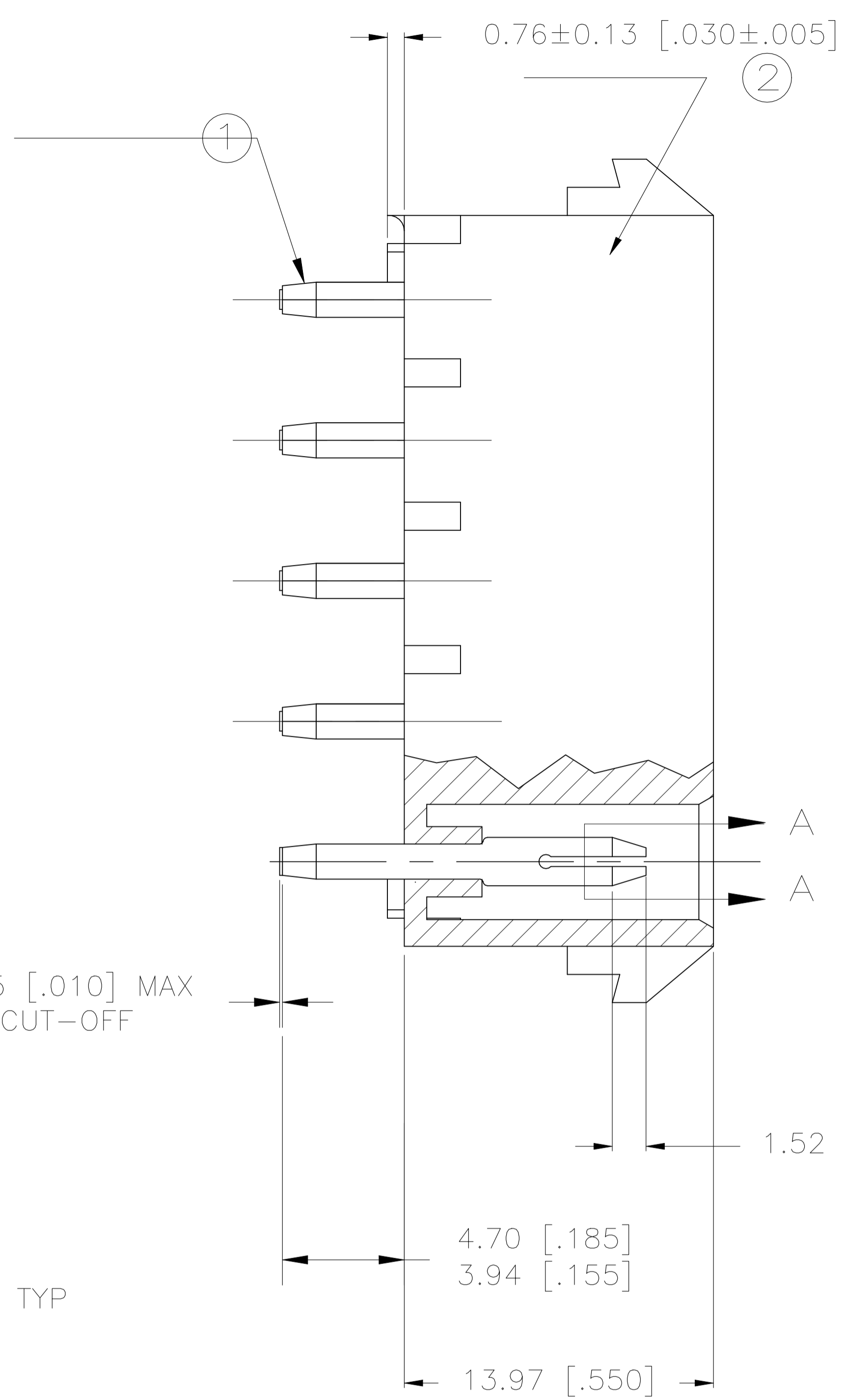
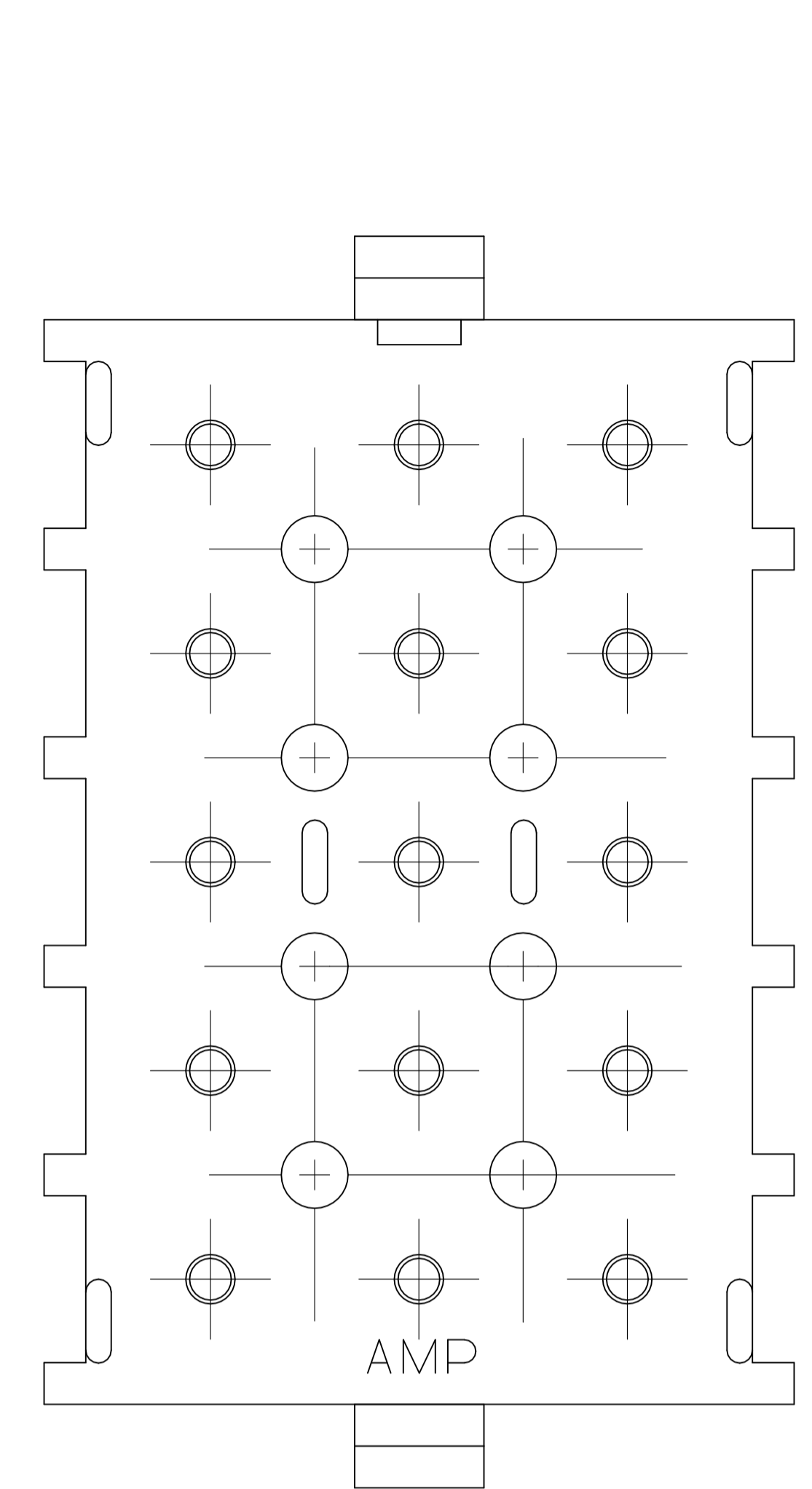


REVISIONS				
REV	DESCRIPTION	DATE	OWN	APVD
A	REVISED PER ECR-21-118133	22OCT2021	SS	VS



- PARTS MUST COMPLY WITH AMP SOLDERABILITY SPEC 109-11-3.
- CIRCUIT IDENTIFICATION CHARACTERS ARE ADJACENT TO THE INDICATED CAVITIES, BUT LOCATION AND ORIENTATION MAY DIFFER FROM PRINT.
- DIMENSIONS SHOWN REPRESENT PRODUCT IN DRY CONDITION. ADDITIONAL 2% GROWTH DUE TO END USE LOCATION MOISTURE ABSORPTION MAY OCCUR AND SHOULD BE ACCOUNTED FOR.

SECTION A-A  
SCALE 12:1

QTY	DESCRIPTION	PART NO.
1	HOUSING-NYLON, 94V-0 WHITE (2)	
15	PIN HEADER-PH BRZ, PRE-TIN (1)	1586170-1

THIS DRAWING IS A CONTROLLED DOCUMENT.		OWN: S. HOOVER 19-NOV-2003	TE Connectivity
DIMENSIONS: mm [INCHES]		DWG: S. RIDGILL 19-NOV-2003	
TOLERANCES UNLESS OTHERWISE SPECIFIED:		APVD: S. RIDGILL 19-NOV-2003	
0 PLC ± 1 PLC ± 2 PLC ± 3 PLC ± 0.13 [.005] 4 PLC ±		NAME: ASSEMBLY, HEADER, NO DRAIN HOLES, 15 CIRCUIT, UNIVERSAL MATE-N-LOK™	
MATERIAL: SEE CHART	FINISH:	APPLICATION SPEC:	RESTRICTED TO:
		WEIGHT: 0.000000	SIZE: A1
		CUSTOMER DRAWING	SCALE: 6:1 SHEET 1 OF 1 REV A

METRIC

RECOMMENDED LAYOUT FOR 1.58 [.062] THICK PC BOARD

单击下面可查看定价，库存，交付和生命周期等信息

[>>TE Connectivity\(泰科\)](#)