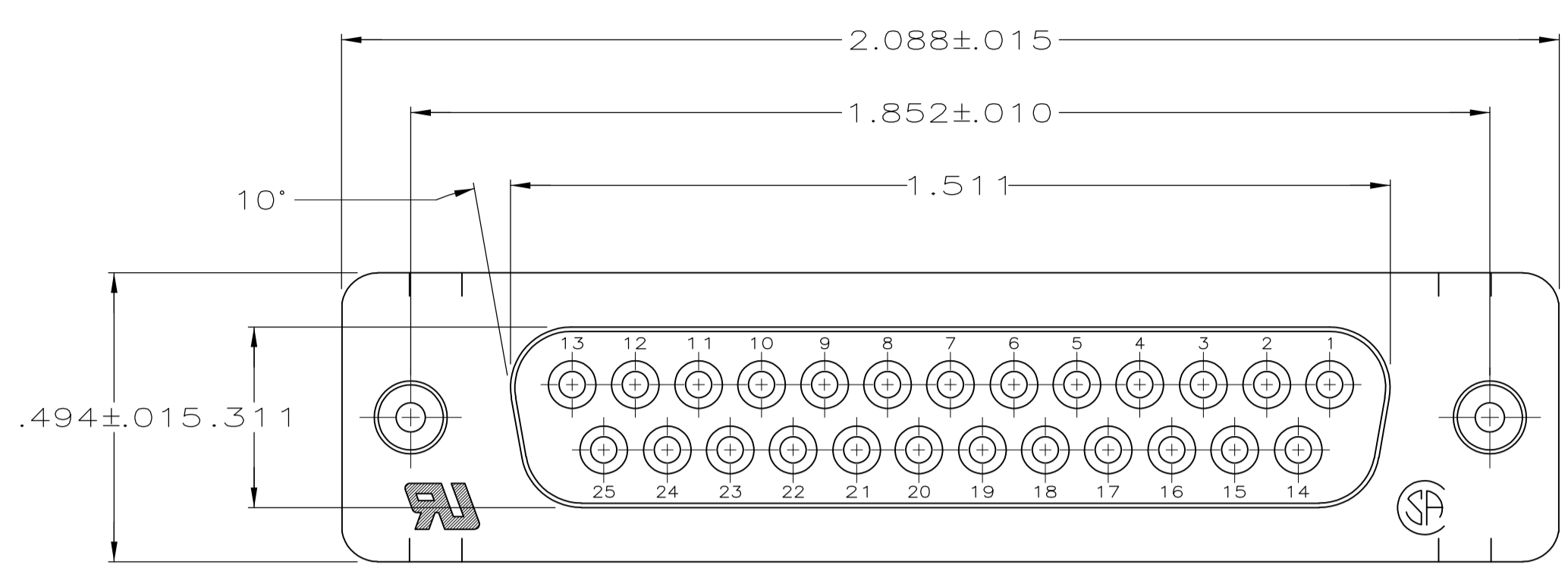
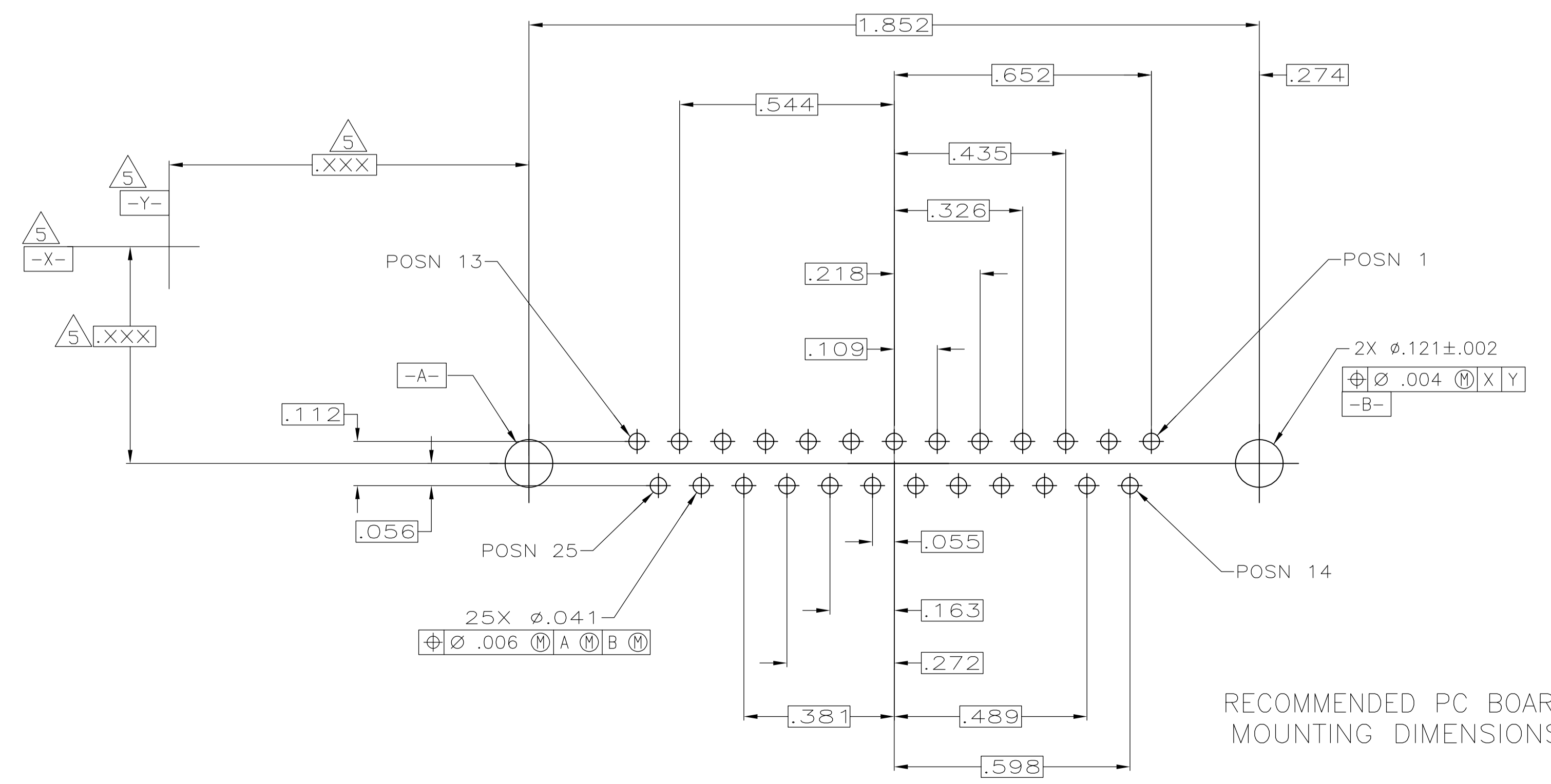
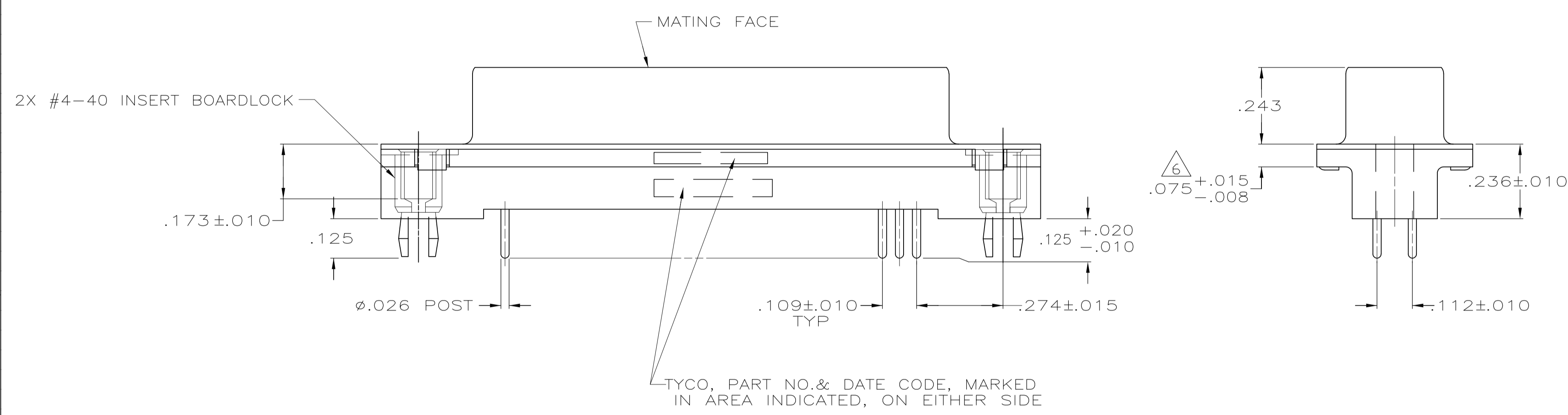


REVISIONS					
P	LTR	DESCRIPTION	DATE	DMN	APVD
B		REVISED PER ECO-16-001548	23FEB2016	AP	DG



- 1 HOUSING: FLAME RETARDANT, 94V-0 RATED, THERMOPLASTIC; COLOR: BLACK  
SHELL: CARBON STEEL  
CONTACTS: PHOS BRONZE.  
INSERT BOARDLOCKS: BRASS.
- 2 SHELL: .000200 MIN TIN OVER .000100 MIN COPPER.  
CONTACTS: SEE TABLE.  
INSERT BOARDLOCKS: .000150 MIN TIN OVER .000100 MIN COPPER.
- 3 GOLD FLASH FOR LENGTH OF .100 MIN FROM MATING END, .000100 MIN TIN ON TERMINATION END, ALL OVER .000050 MIN NICKEL ON ENTIRE CONTACT.
- 4 .000030 MIN GOLD FOR LENGTH OF .100 MIN FROM MATING END, .000100 MIN TIN ON TERMINATION END, ALL OVER .000050 MIN NICKEL ON ENTIRE CONTACT.
- 5 DATUMS AND BASIC DIMENSIONS ESTABLISHED BY CUSTOMER.
- 6 .110 MAX IN SHELL TAB CLINCH AREAS.



RECOMMENDED PC BOARD MOUNTING DIMENSIONS

**COPYRIGHT 2005  
TYCO ELECTRONICS CORP  
ALL RIGHTS RESERVED**

4	2-5747708-0
3	1-5747708-9
CONTACT FINISH	PART NO

THIS DRAWING IS A CONTROLLED DOCUMENT.		DIN B LATTUCA 27SEPT05	STE TE Connectivity	
DIMENSIONS: INCHES		CHK S BOLASH 27SEPT05	NAME M WALMSLEY 27SEPT10	
TOLERANCES UNLESS OTHERWISE SPECIFIED:		PRODUCT SPEC 108-40025		
0. PLC ± -	1. PLC ± -	APPLICATION SPEC 114-40023		
2. PLC ± -	3. PLC ± .005	SIZE A1	CAGE CODE 00779	DRAWING NO 5747708
4. PLC ± -	ANGLES ± -	WEIGHT -	SCALE 4:1	SHEET 1 OF 1
MATERIAL 1	FINISH 2	CUSTOMER DRAWING		

单击下面可查看定价，库存，交付和生命周期等信息

[>>TE Connectivity\(泰科\)](#)