

LOC	DIST	REVISIONS					
DS	-	P	LTR	DESCRIPTION	DATE	DWN	APVD
			A1	REVISED<ECR-11-024357>	02.DEC.11	CH	JK

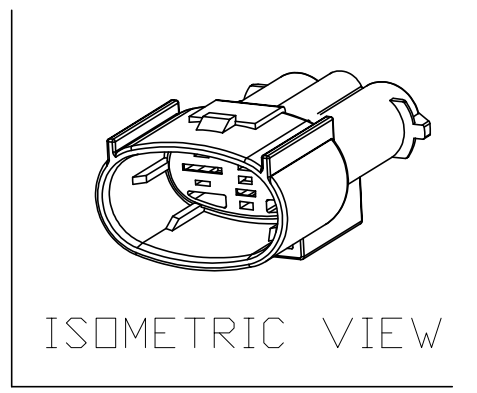
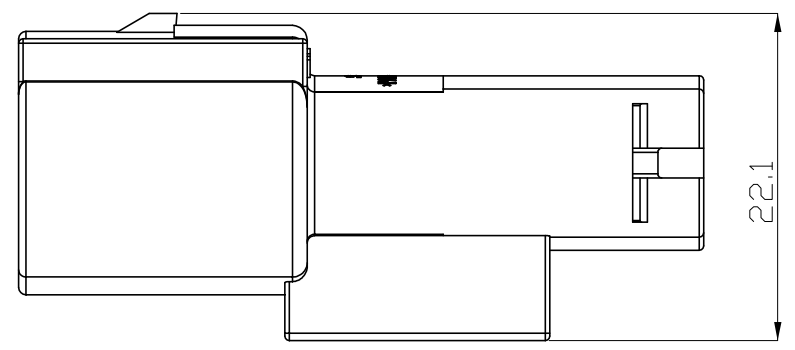
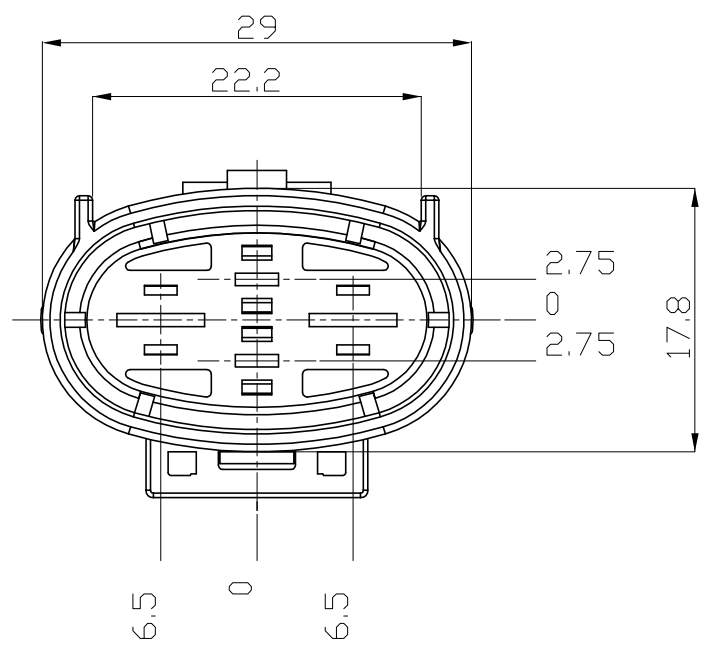
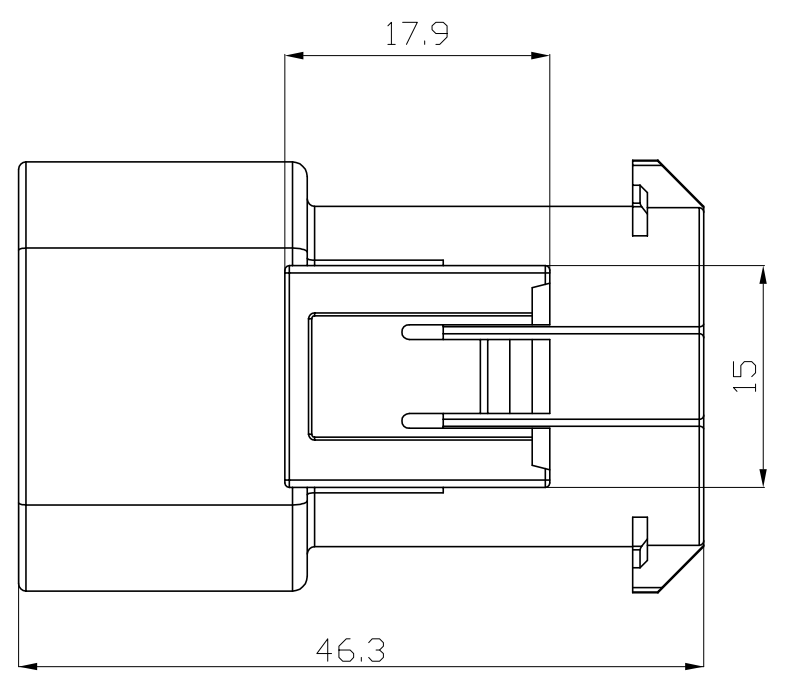
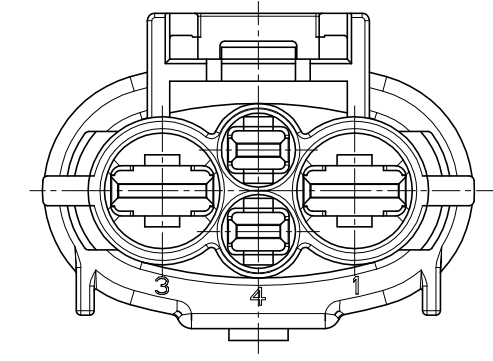


TABLE 1.

TAPE	PART NO.	WIRE RANGE (mrf)	INSULATION DIA. (mm)	FINISH
MCP2.8	1-964298-3	0.2 - 0.5	1.15 - 1.6	CuSn, Gold
	2-964298-1			CuFe, Tin
	1-964300-3	0.5 - 1.0	1.4 - 2.1	CuSn, Gold
	2-964300-1			CuFe, Tin
	2-962916-2	1.0 ~ 2.5	MAX 3.0	CuFe, Silver
	2-962916-1			CuFe, Tin
1-962916-2	CuSn4, Silver			
1-962916-1	CuSn4, Tin			
MCP6.3	1-962917-1	0.5 - 1.0	1.4 - 2.1	CuSn, Tin
	1-962917-2			CuSn, Silver
	2-962917-1			CuFe, Tin
	2-962917-2			CuFe, Silver
	1-962918-1	1.5 - 2.5	2.2 - 3.0	CuSn, Tin
	1-962918-2			CuSn, Silver
	2-962918-1			CuFe, Tin
	2-962918-2			CuFe, Silver
	1-962919-1	2.5 - 4.0	2.7 - 3.7	CuSn, Tin
	1-962919-2			CuSn, Silver
	2-962919-1			CuFe, Tin
	2-962919-2			CuFe, Silver



- NOTE
 1. GENERAL TOLERANCE : ±0.3, ±3.0°
 2. THE MATING CONNECTOR : 1897210-1
 3. APPLICABLE TAB CONTACT P/N: TABLE 1
 4. APPLICABLE WIRE SEAL P/N: TABLE 2

TABLE 2.

TAPE	PART NO.	INSULATION DIA. (mm)	COLOR
MCP2.8	828904-1	1.2 - 2.1	BLUE
	828904-2		WHITE
	828905-1	2.2 - 3.0	WHITE
	828922-1	CAVITY PLUG	NATURAL
828986-1	BROWN		
MCP6.3	963243-1	1.4 - 2.1	BLUE
	963244-1	2.2 - 3.0	WHITE
	963245-1	3.4 - 3.7	YELLOW
	100132-1	CAVITY PLUG	BLACK

1897209-2	CAP HSG	PA66-GF15	BLACK
PART NO.	DESCRIPTION	MATERIAL	COLOR

THIS DRAWING IS A CONTROLLED DOCUMENT FOR TYCO ELECTRONICS CORPORATION IT IS SUBJECT TO CHANGE AND THE CONTROLLING ENGINEERING ORGANIZATION SHOULD BE CONTACTED FOR THE LATEST REVISION.

DIMENSIONS: mm	TOLERANCES UNLESS OTHERWISE SPECIFIED	DWN CH LEE	<p>TE Connectivity</p>
	0 PLC ±0.13 1 PLC ±0.13 2 PLC ±0.13 3 PLC ±0.013 4 PLC ±0.0001 ANGLES ±	CHK YJ YOUN	
		APVD JK SONG	
		PRODUCT SPEC	
MATERIAL SEE TABLE	FINISH	NAME MCP HYB 4P CAP HSG	
		SIZE A3	CAGE CODE 00779
		DRAWING NO. 1897209	RESTRICTED TO -
		WEIGHT	SCALE 2:1
		CUSTOMER DRAWING	SHEET 1 OF 1
			REV A1

单击下面可查看定价，库存，交付和生命周期等信息

[>>TE Connectivity\(泰科\)](#)