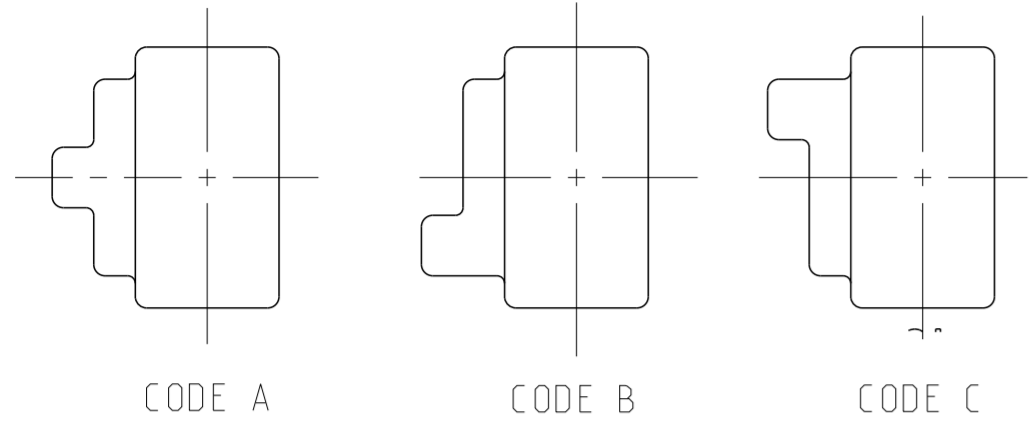


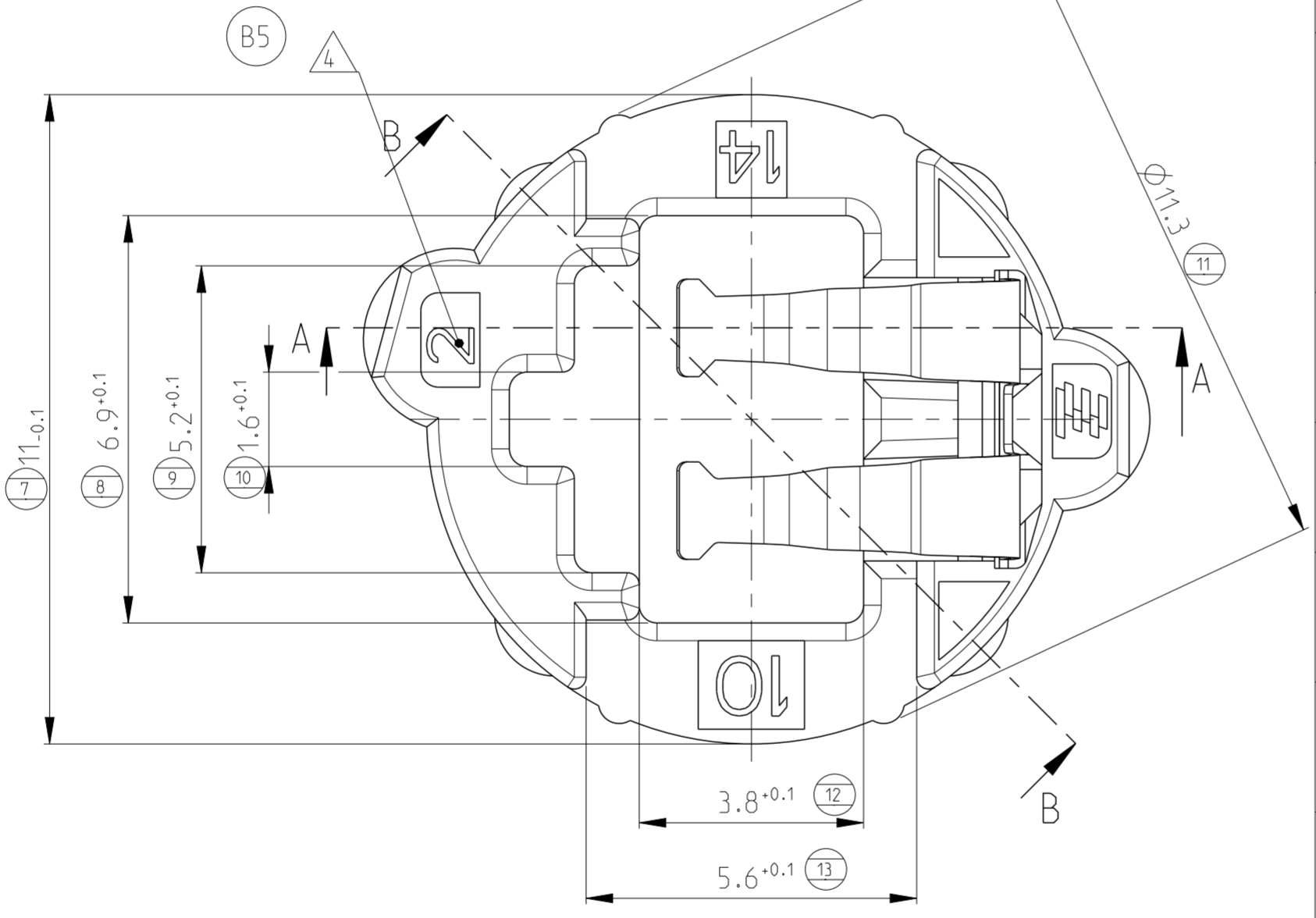
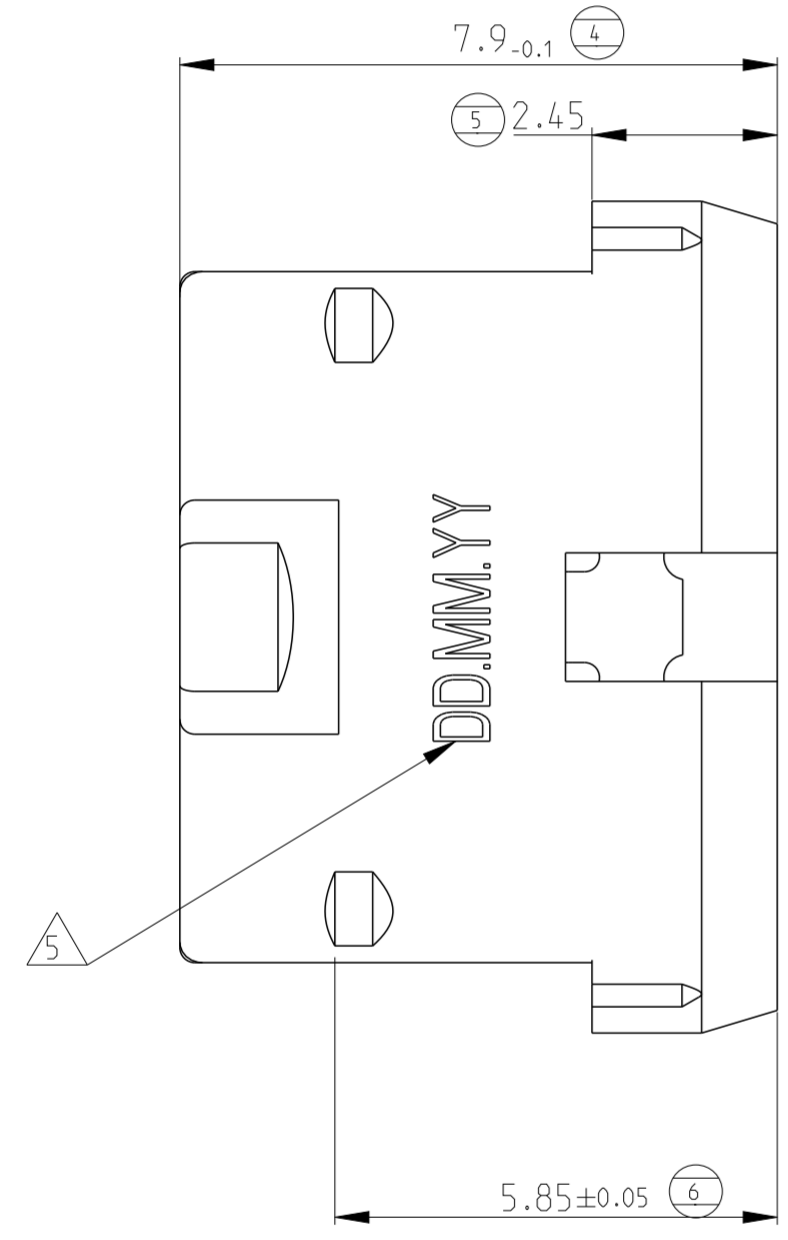
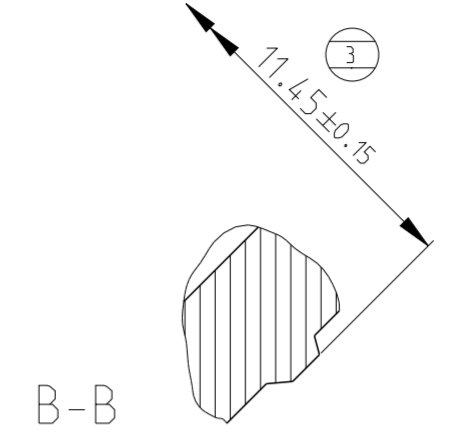
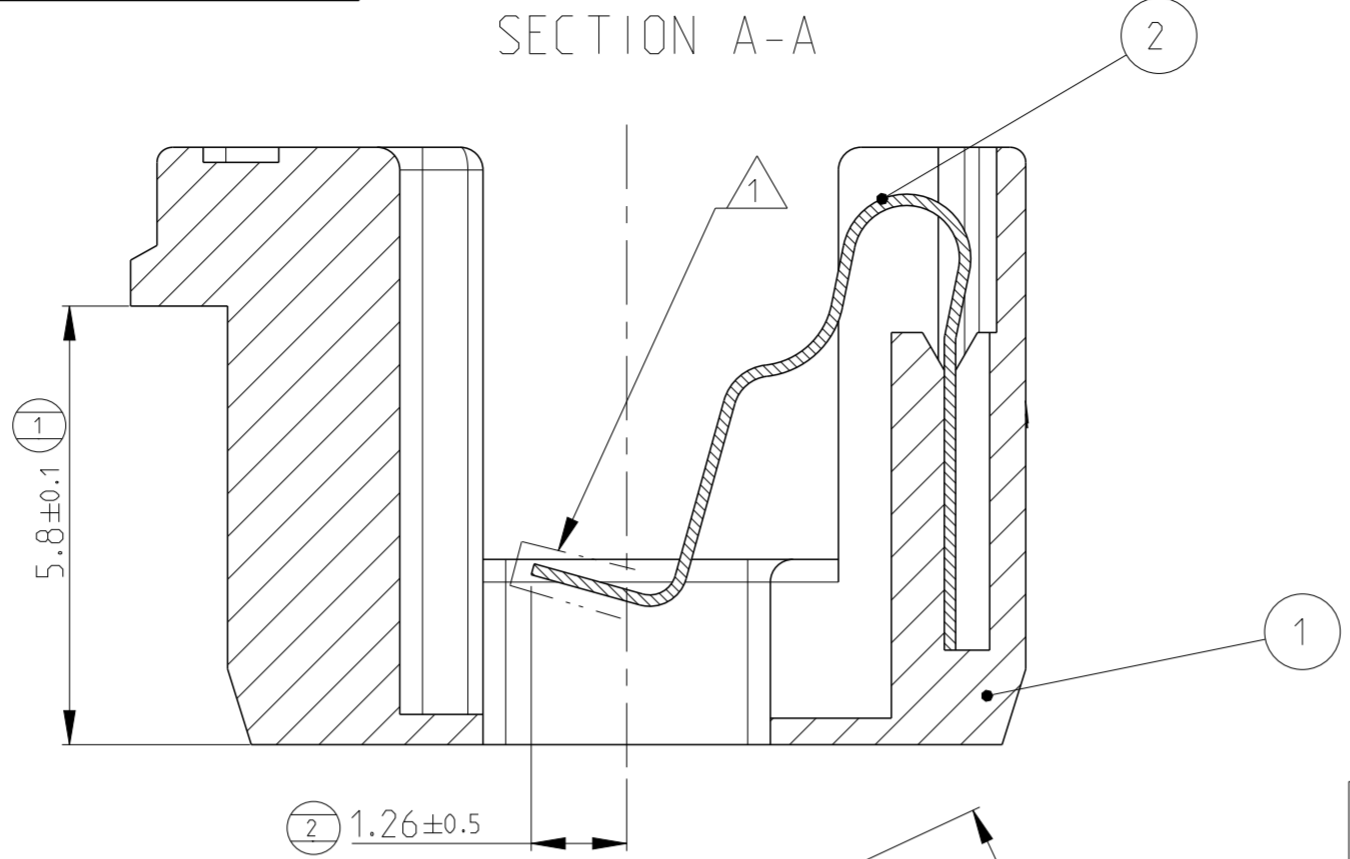
THIS DRAWING IS UNPUBLISHED. RELEASED FOR PUBLICATION 2011
 © COPYRIGHT 2011 ALL RIGHTS RESERVED.

REVISIONS						
LOC	DIST	P	LTR	DESCRIPTION	DATE	APVD
-	-	B4		ECR-11-007201	06APR2011	SPB JM
		B5		ECR-14-015672	21OCT2014	OP XR

CODINGS
SCALE 5:1



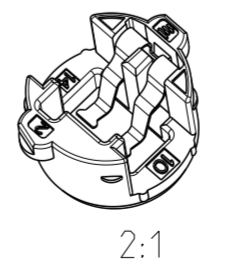
SECTION A-A



ASSEMBLY No.	CODE	POSN	DESCRIPTION	MATERIAL	COLOUR	RAL NO.
3-1703884-2	C	2	SHORTING CLIP	Cu ALLOY		
		1	SCR HOUSING	10% G.F. PBT	ORANGE	2007
3-1703884-1	C	2	SHORTING CLIP	Cu ALLOY		
		1	SCR HOUSING	10% G.F. PBT	BLUE	5012
2-1703884-2	B	2	SHORTING CLIP	Cu ALLOY		
		1	SCR HOUSING	10% G.F. PBT	GREY	7037
2-1703884-1	B	2	SHORTING CLIP	Cu ALLOY		
		1	SCR HOUSING	10% G.F. PBT	GREEN	6032
1-1703884-6	A	2	SHORTING CLIP	Cu ALLOY		
		1	SCR HOUSING	10% G.F. PBT	GREEN	6032
1-1703884-5	A	2	SHORTING CLIP	Cu ALLOY		
		1	SCR HOUSING	10% G.F. PBT	PURPLE	4006
1-1703884-4	A	2	SHORTING CLIP	Cu ALLOY		
		1	SCR HOUSING	10% G.F. PBT	RED	3000
1-1703884-3	A	2	SHORTING CLIP	Cu ALLOY		
		1	SCR HOUSING	10% G.F. PBT	YELLOW	1016
1-1703884-2	A	2	SHORTING CLIP	Cu ALLOY		
		1	SCR HOUSING	10% G.F. PBT	BLUE	5012
1-1703884-1	A	2	SHORTING CLIP	Cu ALLOY		
		1	SCR HOUSING	10% G.F. PBT	BLACK	9012

NOTES:

- 1 SELECTIVE PLATING IN THIS AREA >0.8 microns GOLD OVER >2.0 microns NICKEL
- 2 GENERAL TOLERANCE UNLESS OTHERWISE STATED ± 0.1mm
- 3. PACKAGING - LOOSE PIECE
- 4 MOULD IMPRESSION NUMBER
- 5 ASSEMBLY MANUFACTURING DATE CODE (DD.MM.YY)



THIS DRAWING IS A CONTROLLED DOCUMENT. DWN J.Marsh 15JUN07
 CHK B.Baker 15JUN07

DIMENSIONS: mm TOLERANCES UNLESS OTHERWISE SPECIFIED: Linear: ±0.1

0 PLC ±
 1 PLC ±
 2 PLC ±
 3 PLC ±
 4 PLC ±
 ANGLES ±
 FINISH ±

MATERIAL SEE ABOVE WEIGHT 0.5 g

APVD - PRODUCT SPEC 108-3644 APPLICATION SPEC -

NAME 2 POS, SHORT CIRC SPR, HOUSING ASSY

SIZE A2 CAGE CODE 00779 DRAWING NO C-1703884 RESTRICTED TO -

CUSTOMER DRAWING SCALE 10:1 SHEET 1 OF 1 REV B5

STE TE Connectivity

单击下面可查看定价，库存，交付和生命周期等信息

[>>TE Connectivity\(泰科\)](#)