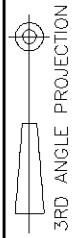


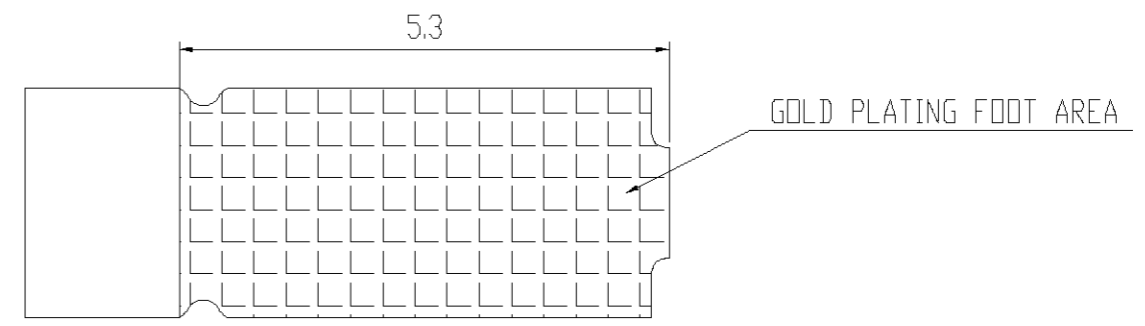
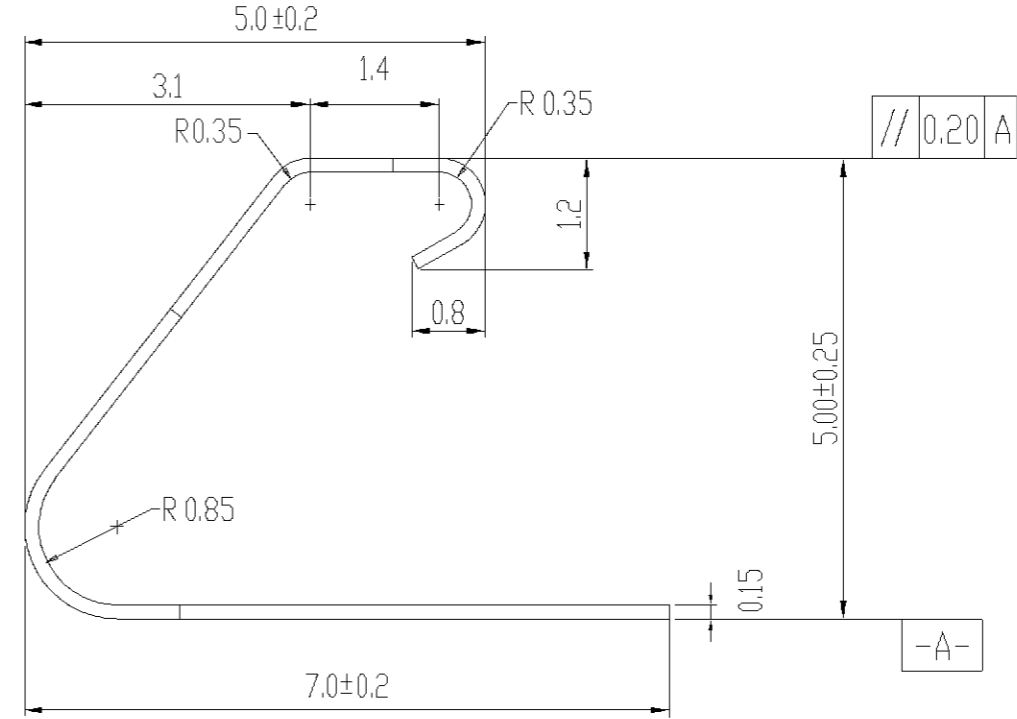
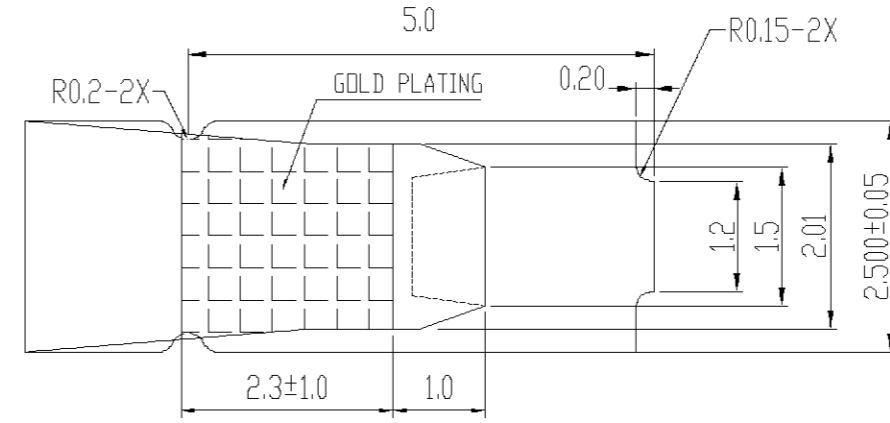
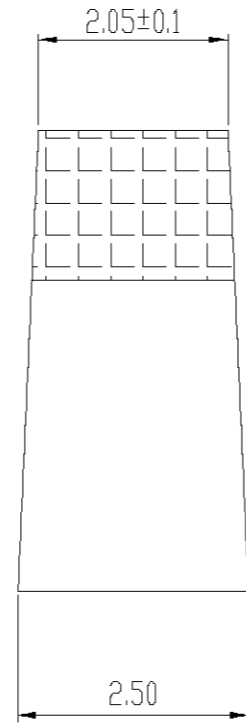
NUMBER  
C-440423



METRIC

THIS INFORMATION IS CONFIDENTIAL AND IS DISCLOSED TO YOU ON CONDITION THAT NO FURTHER DISCLOSURE IS MADE BY YOU TO OTHER THAN AMP PERSONNEL WITHOUT WRITTEN AUTHORIZATION FROM AMP (TAIWAN) LTD. DIMENSION IN MILLIMETERS. DO NOT SCALE PRINT.

PRINT  
DW



NOTES:

- SHIELD FINGER: MATERIAL - COPPER ALLOY, 0.15±0.01MM THK  
PLATING FINISH - 30u"-50u" OVER ALL ALLOY NICKEL PLATING  
2u" GOLD PLATING MIN ON THE CONTACT AND FOOT AREA
- CURRENT RATING: 1 AMP
- TEMPERATURE RATING: -40° TO +105°C

O	FIRST RELEASED	FW00-0075-00	AW/JC	31AUG 2000
LTR	REVISION RECORD	ECN	DR/CHK	DATE

DIMENSION :	DR.
0 PLC ±	A. WU
1 PLC ±0.13	31-AUG-2000
2 PLC ±0.05	CHK. J. CHENG
3 PLC ±0.03	31-AUG-2000
ANGLES ±2°	
MATERIAL	APP. J. WU
SEE NOTE	31-AUG-2000
FINISH	PRODUCT SPEC
SEE NOTE	APPLICATION SPEC
	WEIGHT

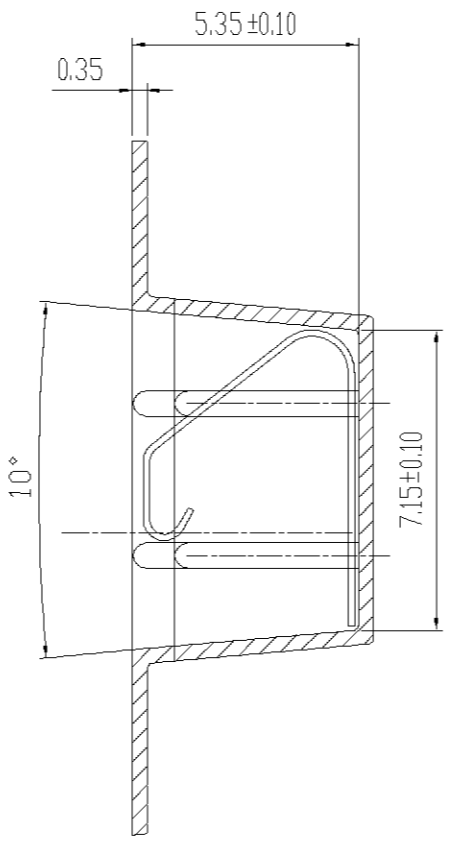
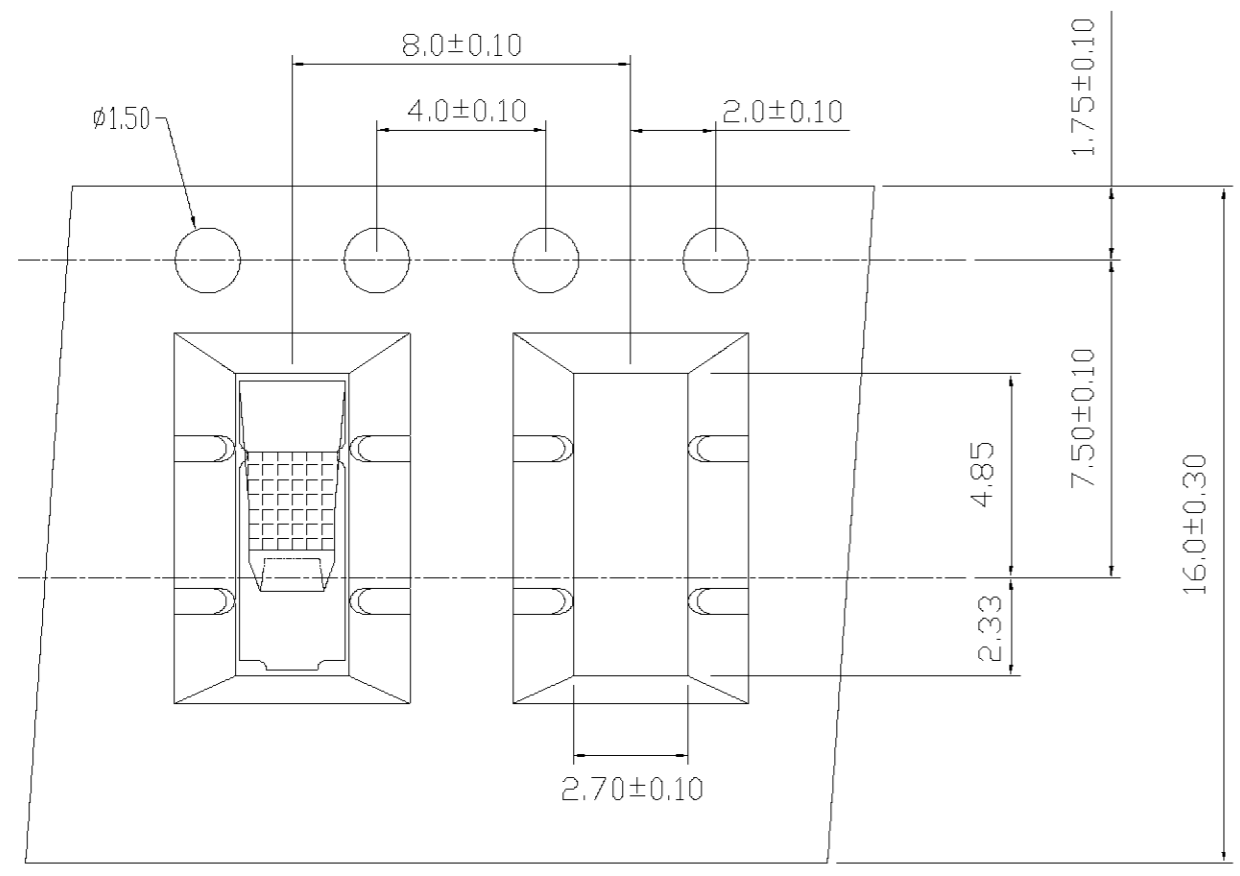
PART NUMBER		440423-1	
<b>AMP</b>		AMP INCORPORATED. IPO	
NAME			
SHIELD FINGER 5025			
LOC	SIZE	DRAWING NO	REV
DW	A <sub>3</sub>	C-440423	O
SCALE		SHEET	
--		1 OF 2	

NUMBER  
C-440423

METRIC  
3RD ANGLE PROJECTION

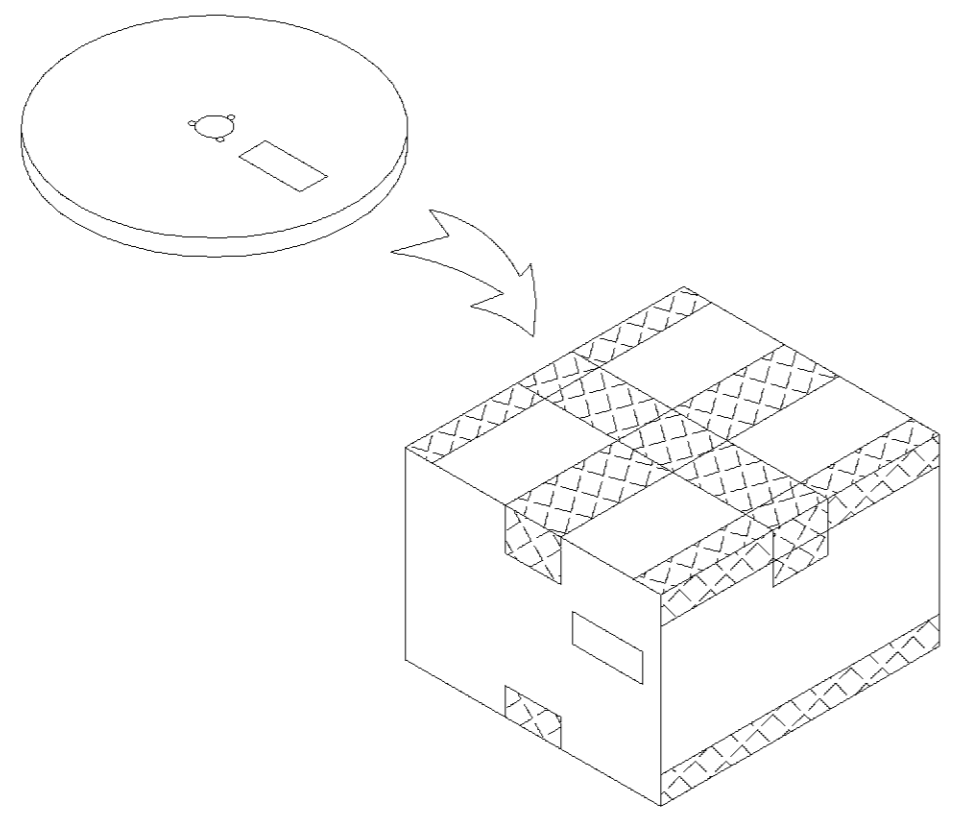
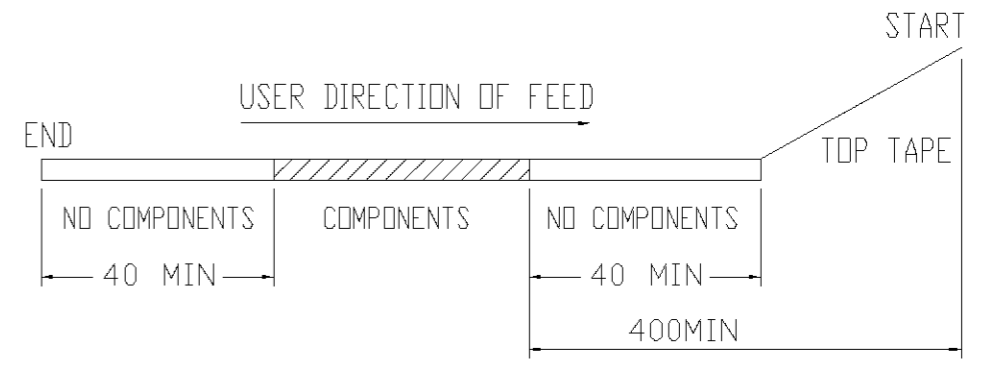
THIS INFORMATION IS CONFIDENTIAL AND IS DISCLOSED TO YOU ON CONDITION THAT NO FURTHER DISCLOSURE IS MADE BY YOU TO OTHER THAN AMP PERSONNEL WITHOUT WRITTEN AUTHORIZATION FROM AMP (TAIWAN) LTD. DIMENSION IN MILLIMETERS. DO NOT SCALE PRINT.

PRINT  
DW

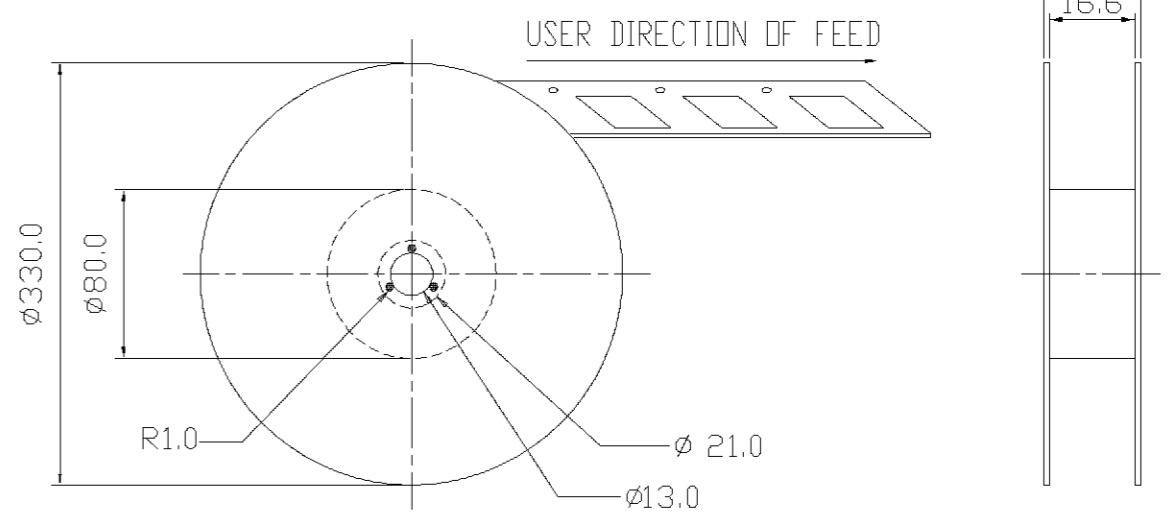


NOTES:

1. APPLICATION: SHIELD FINGER 5025 ON CONTINUOUS TAPES
2. NO. OF PKG: 10 REEL MAX
3. MATERIAL : BOX - CARDBOARD  
CARRIER TAPE - ACRYLIC FILM  
TOP TAPE - PET FILM  
REEL - PLASTIC
4. DIMENSION: BOX - 345X345X240  
LABEL - 70X100  
REEL - Ø330X20.0
5. GENERAL TOLERANCE: ±0.3
6. PACKING STYLE: 1500 PCS/REEL



REEL DIMENSION: REFERENCE ONLY



DIMENSION :		DR.	A. WU		<b>AMP</b>   AMP INCORPORATED. IPO
0 PLC ±		31-AUG-2000			
1 PLC ±		CHK.	J. CHENG		NAME
2 PLC ±		31-AUG-2000			
3 PLC ±		APP.	J. WU		SHIELD FINGER 5025
ANGLES ±1°		31-AUG-2000			
MATERIAL		PRODUCT SPEC		LOC	SIZE
SEE NOTE		APPLICATION SPEC			
FINISH		WEIGHT		SCALE	SHEET

SEE SHEET 1.	ECN	DR	DATE
LTR	REVISION RECORD	CHK	

单击下面可查看定价，库存，交付和生命周期等信息

[>>TE Connectivity\(泰科\)](#)