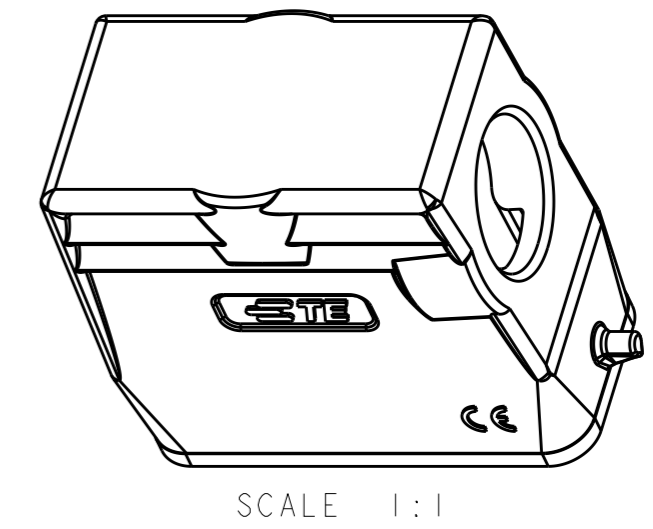
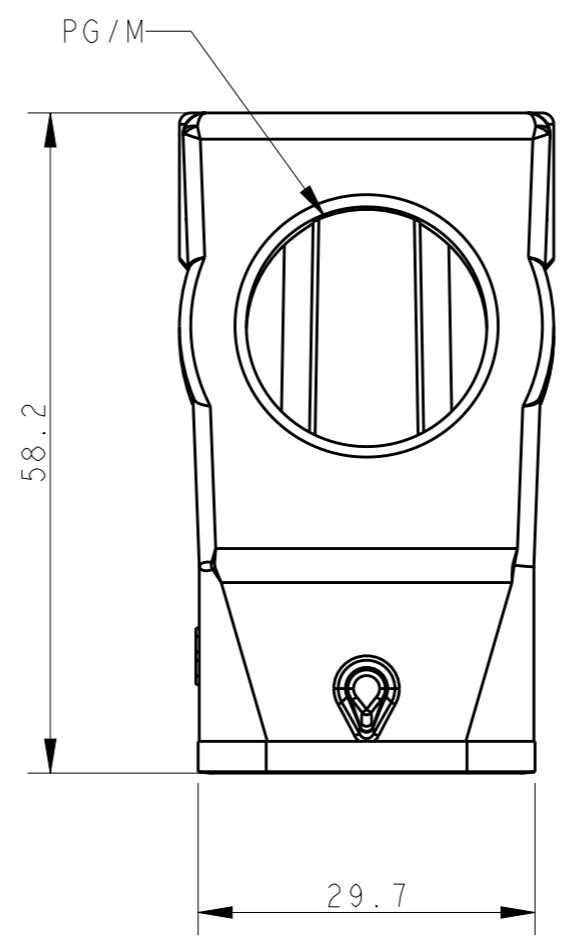
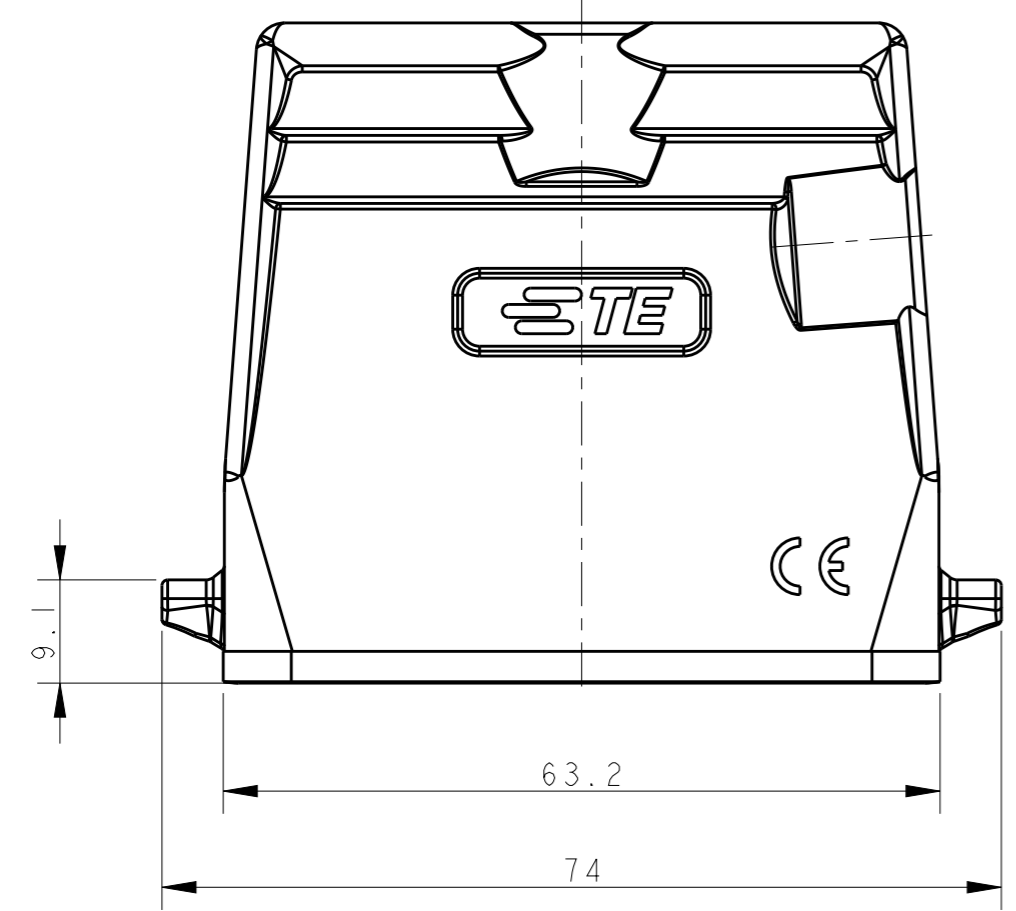


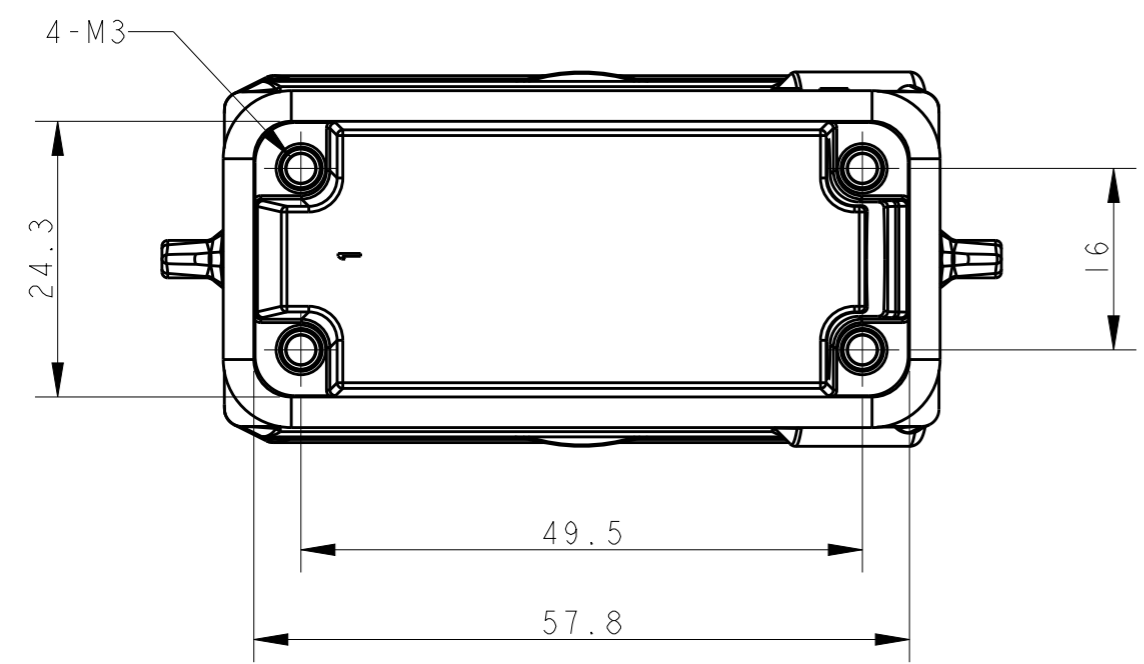
THIS DRAWING IS UNPUBLISHED. RELEASED FOR PUBLICATION 20
 © COPYRIGHT 20 BY - ALL RIGHTS RESERVED.

REVISIONS					
P	LTR	DESCRIPTION	DATE	DWN	APVD
	A	INITIAL RELEASE	05MAY2015	DL	CW
	B	ECR-20-008424	14DEC2020	BS	CW




NOTES:
 1. TECHNICAL CHARACTERISTICS:
 BODY MATERIAL: DIE CAST ALUMINIUM ALLOY
 SURFACE TREATMENT: POWDER-COATED, GRAY
 DEGREE OF PROTECTION: IP65 (MATED)

注释:
 1. 技术参数:
 主体材料: 铝合金
 表面处理: 粉末喷涂, 灰色
 防护等级: IP65(配合)



T1319100116-000	H10A-TS-PG16	PG16
T1319100120-000	H10A-TS-M20	M20
T1319100121-000	H10A-TS-PG21	PG21
T1319100125-000	H10A-TS-M25	M25
ASSEMBLY PART NUMBER	ASSEMBLY PART DESCRIPTION	PG/M

THIS DRAWING IS A CONTROLLED DOCUMENT.		DWN 05MAY2015 DAVID LI	 TE Connectivity NAME H10A-TS-PG/M		
DIMENSIONS: mm		CHK 05MAY2015 CHRIS WANG			PRODUCT SPEC 108-137010
TOLERANCES UNLESS OTHERWISE SPECIFIED:		APVD 05MAY2015 XU XIANG			APPLICATION SPEC 114-137010
0 PLC ±- 1 PLC ±- 2 PLC ±- 3 PLC ±- 4 PLC ±- ANGLES ±-		WEIGHT -			RESTRICTED TO
MATERIAL -		FINISH -	SIZE A3	CAGE CODE -	
			DRAWING NO. C-T13191001XX000		
			SCALE 3:2 SHEET 1 OF 1 REV B		
			CUSTOMER DRAWING		

单击下面可查看定价，库存，交付和生命周期等信息

[>>TE Connectivity\(泰科\)](#)