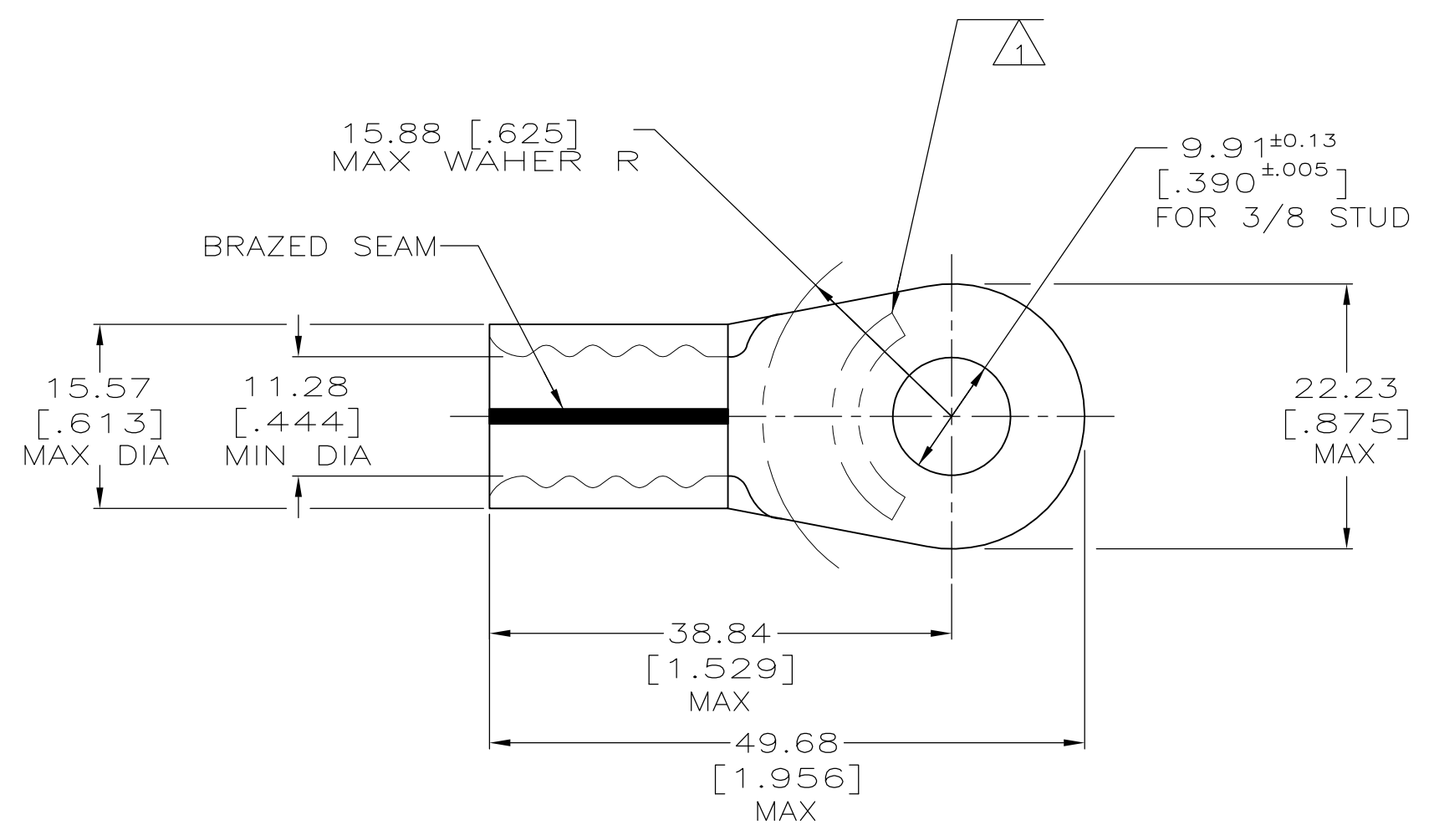


LOC	DIST	REVISIONS			
P	LTR	DESCRIPTION	DATE	OWN	APVD
G	14	L5	REVISED PER ECO-14-015173	08OCT2014	NK DR

AMP WIRE RANGE	Listed FILE E13288	LR7189 Certified
1/0 AWG STRANDED	1/0 AWG STRANDED	1/0 AWG STRANDED



- 1 STAMP AMP 1/0W* APPROX AS SHOWN
- 2 MATERIAL THK: 1.78±0.08 [.070±.003]
- 3 0.00254 [.000100] MIN TIN PLATE PER ASTM B-545
- 4 GOLD PLATE 0.00127[.000050]MIN. EXT. THK. PER ASTM B488, TYPE 1, CODE C OVER NICKEL PLATE 0.00127 [.000050] MIN. EXT. THK. PER SAE AMS QQ-N-290 OVER Cu FLASH PER SAE AMS 2418.

170°C [338°F]	25	LOOSE PIECE		8-36917-3
260°C [500°F]	50	LOOSE PIECE		36917-1
170°C [338°F]	50	LOOSE PIECE		36917
MAX TEMP RATING	QTY	PACKAGE TYPE	FINISH	PART NO.

AMP INCORPORATED CUSTOMER SERVICE SYSTEMS		MAX RECOMMENDED OPERATING TEMPERATURE: SEE TABLE
FOR ADDITIONAL PRODUCT INFORMATION OR COPIES OF DRAWINGS AND TECHNICAL DOCUMENTS	PRODUCT INFORMATION CENTER 1-800-522-6752	VOLTAGE RATING: N/A
FOR APPLICATION TOOLING INFORMATION	TOOLING ASSISTANCE CENTER 1-800-722-1111	CIRCULAR MIL AREA: 42.4-60.6mm² [83,700-119,500] SOLID OR STRANDED
FOR ORDER ENTRY	1-800-526-5142	THIS DRAWING IS A CONTROLLED DOCUMENT FOR AMP INCORPORATED. IT IS SUBJECT TO CHANGE AND THE CONTROLLING ENGINEERING ORGANIZATION SHOULD BE CONTACTED FOR THE LATEST REVISION.

THIS DRAWING IS A CONTROLLED DOCUMENT.		DWN DK SCHRUM 7/21/91	TE Connectivity															
DIMENSIONS: mm[INCHES]		CHK RD HEIM 8/15/91	NAME															
TOLERANCES UNLESS OTHERWISE SPECIFIED:		APVD AJ KAUFFMAN 8/15/91	PRODUCT SPEC															
<table border="0"> <tr><td>0 PLC</td><td>±</td><td>-</td></tr> <tr><td>1 PLC</td><td>±</td><td>-</td></tr> <tr><td>2 PLC</td><td>±</td><td>0.20[.008]</td></tr> <tr><td>3 PLC</td><td>±</td><td>-</td></tr> <tr><td>4 PLC</td><td>±</td><td>-</td></tr> </table>		0 PLC	±	-	1 PLC	±	-	2 PLC	±	0.20[.008]	3 PLC	±	-	4 PLC	±	-	APPLICATION SPEC	
0 PLC	±	-																
1 PLC	±	-																
2 PLC	±	0.20[.008]																
3 PLC	±	-																
4 PLC	±	-																
MATERIAL	FINISH	WEIGHT	SIZE	CAGE CODE														
COPPER ASTM B-152 ANNEALED	SEE TABLE	-	A2	00779														
CUSTOMER DRAWING		DRAWING NO	RESTRICTED TO															
		SCALE	SHEET	REV														
		2:1	1 of 1	L5														

单击下面可查看定价，库存，交付和生命周期等信息

[>>TE Connectivity\(泰科\)](#)