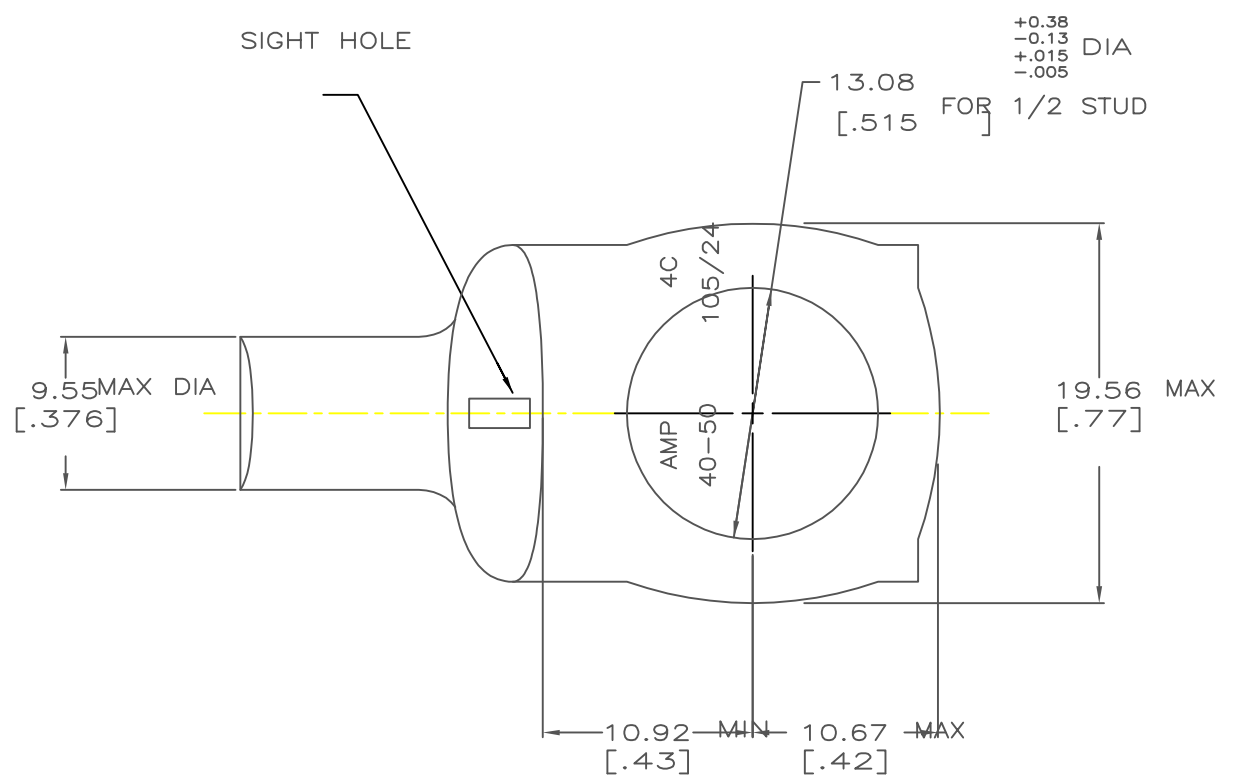
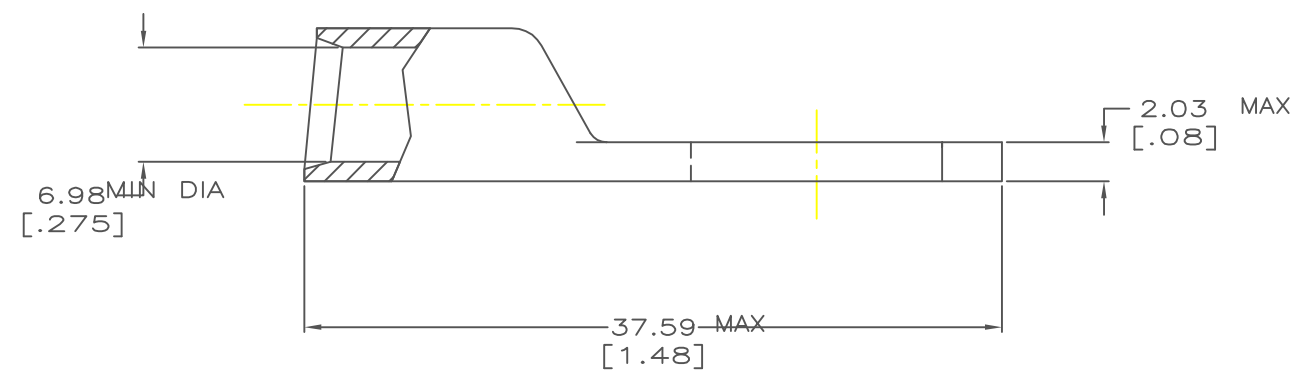


DRAWING MADE IN THIRD ANGLE PROJECTION
 THIS DRAWING IS UNPUBLISHED. RELEASED FOR PUBLICATION
 © COPYRIGHT 19 BY AMP INCORPORATED. ALL INTERNATIONAL RIGHTS RESERVED.

REVISIONS								
LOC	DIST	P	F	ZONE	LTR	DESCRIPTION	DATE	APPD
G	86				E	Removal of color coding on the barrel of the lug	06/06/2017	WJ



1 TIN PL 0.00381[.000150] MIN THK PER MIL-T-10727
 2 CIRCULAR MIL AREA RANGE: 33,100-52,600 CM



DO NOT SCALE PRINT. UNLESS SPECIFIED		DR 03/09/90 DK SCHRUM		PART NO 328178-1	
DIMENSIONS IN mm [INCHES]		CHK 3/92 AJ KAUFMAN		AMP AMP Incorporated Harrisburg, PA 17105-3608	
TOLERANCES ON :		APPD 3/92 WJ VOCKROTH		AMP	
2 PLC DEC ± 0.51[.020]		APPD 3/92 CR RHOADS		TERMINAL, AMPOWER™	
3 PLC DEC ± -		PRODUCT SPEC 108-30200		WIRE SIZE: 21.0mm ² [4] AWG	
ANGLES ± -		APPLICATION SPEC -		DRAWING NO 328178	
MATERIAL COPPER ASTM B-188 ANNEALED		FINISH -		SIZE C 00779	
		WEIGHT		SCALE 4:1	
				DRAWING NO 328178	
				SHEET 10F 1	

METRIC

单击下面可查看定价，库存，交付和生命周期等信息

[>>TE Connectivity\(泰科\)](#)