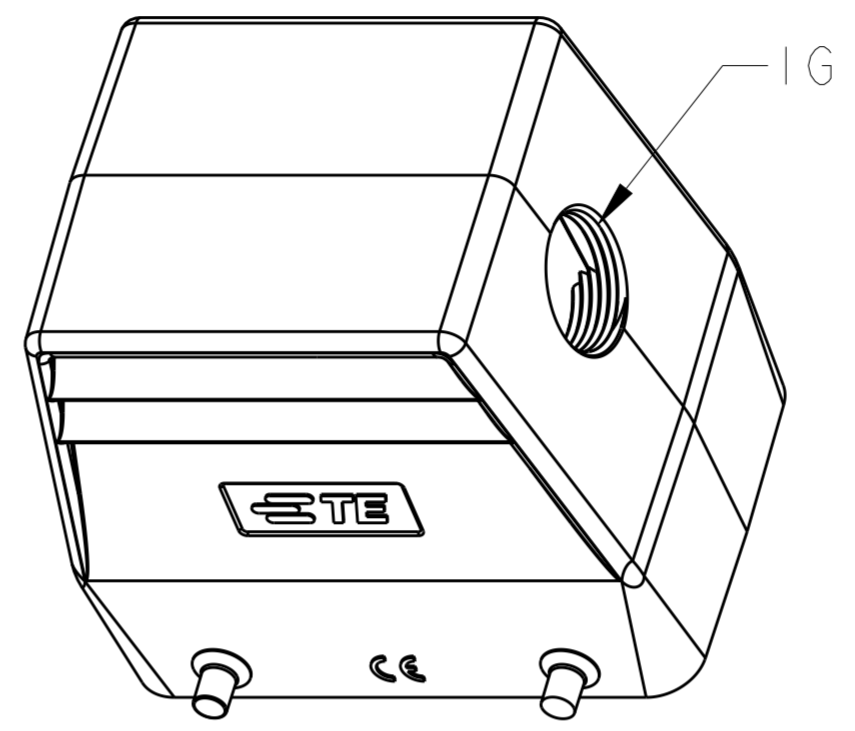
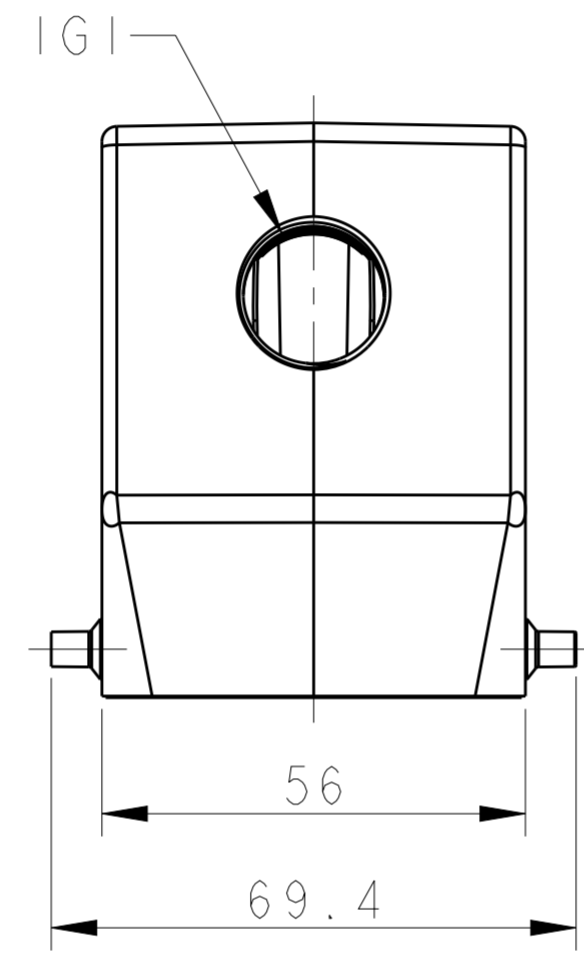
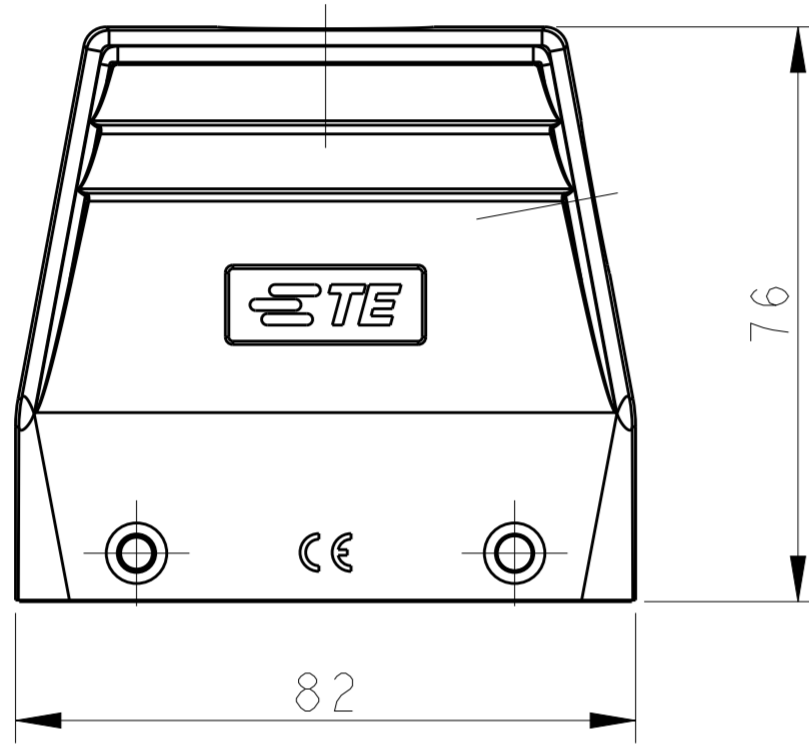
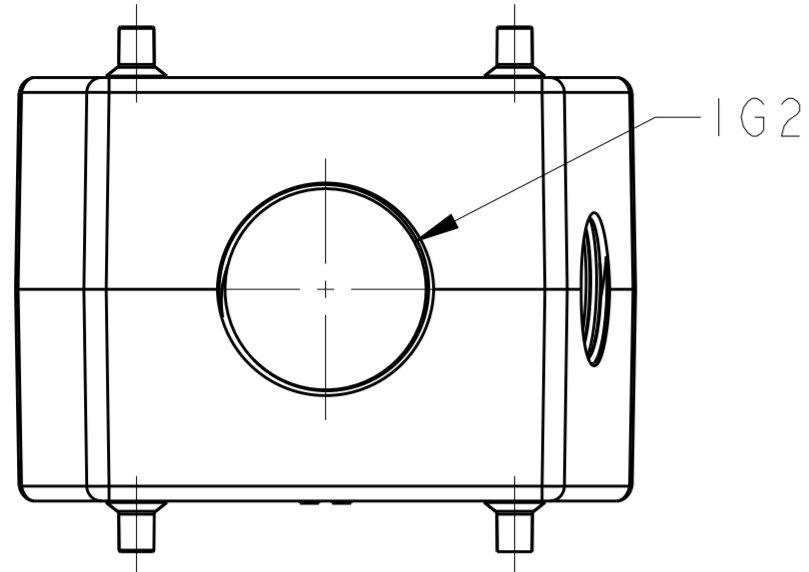
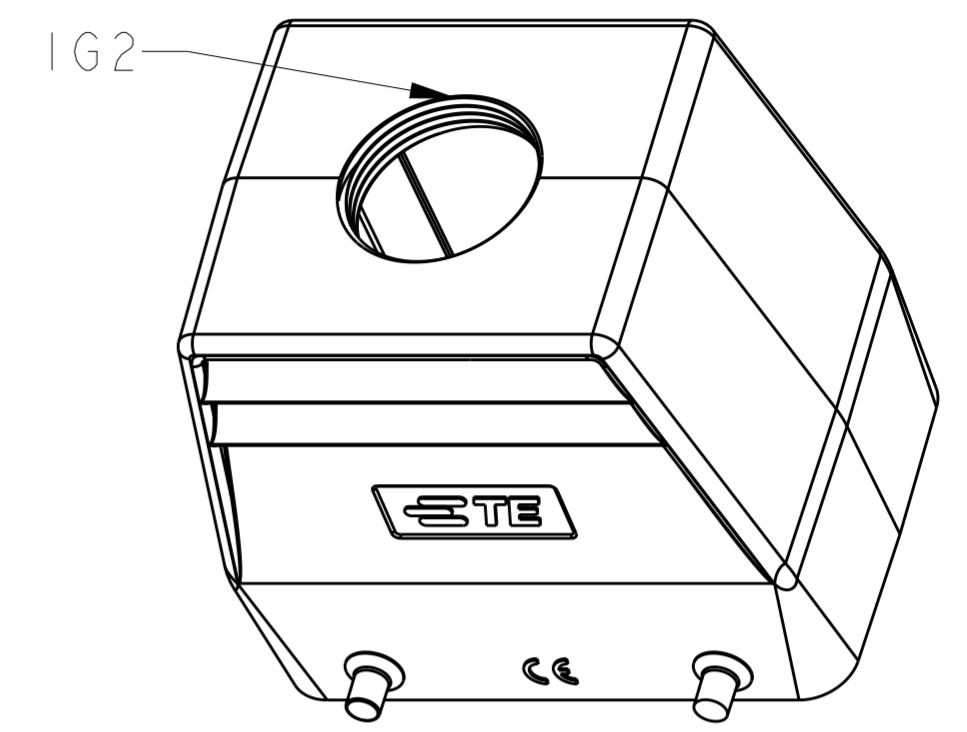


THIS DRAWING IS UNPUBLISHED. RELEASED FOR PUBLICATION 20  
 © COPYRIGHT 20 BY - ALL RIGHTS RESERVED.

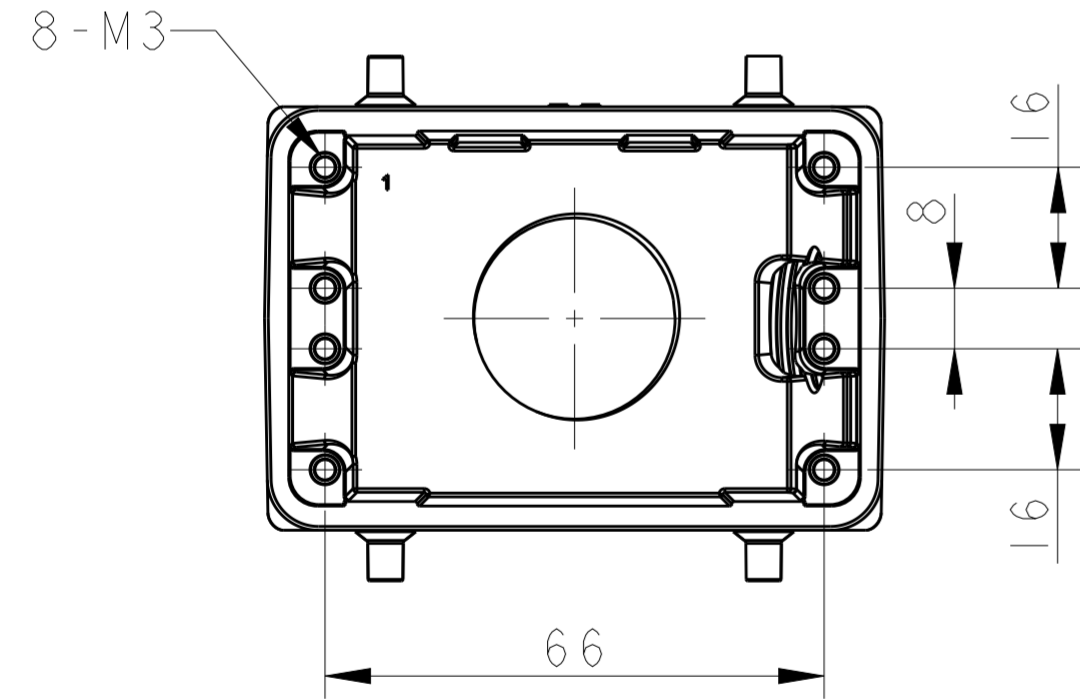
| REVISIONS |     |                 |           |       |
|-----------|-----|-----------------|-----------|-------|
| P         | LTR | DESCRIPTION     | DATE      | APVD  |
| A         |     | INITIAL RELEASE | 11MAY2015 | DL CW |
| B         |     | ECR-20-010477   | 28DEC2020 | BS CW |



TYPE 1 SIDE ENTRY



TYPE 2 TOP ENTRY



NOTES:  
 1. TECHNICAL CHARACTERISTICS:  
 BODY MATERIAL: DIE CAST ALUMINIUM ALLOY  
 SURFACE TREATMENT: POWDER-COATED, GRAY  
 DEGREE OF PROTECTION: IP65 (MATED)

注释:  
 1. 技术参数:  
 主体材料: 铝合金  
 表面处理: 粉末喷涂, 灰色  
 防护等级: IP65(配合)

| ASSEMBLY PART NUMBER | TYPE        | ASSEMBLY PART DESCRIPTION | IG1  | IG2  |
|----------------------|-------------|---------------------------|------|------|
| T1319320116-000      | TYPE 1      | H32A-TS-PG16              | PG16 | -    |
| T1319320120-000      |             | H32A-TS-M20               | M20  | -    |
| T1319320121-000      |             | H32A-TS-PG21              | PG21 | -    |
| T1319320125-000      |             | H32A-TS-M25               | M25  | -    |
| T1319320129-000      |             | H32A-TS-PG29              | PG29 | -    |
| T1319320132-000      |             | H32A-TS-M32               | M32  | -    |
| T1319320140-000      |             | H32A-TS-M40               | M40  | -    |
| T1329320121-000      | TYPE 2      | H32A-TG-PG21              | -    | PG21 |
| T1329320125-000      |             | H32A-TG-M25               | -    | M25  |
| T1329320129-000      |             | H32A-TG-PG29              | -    | PG29 |
| T1329320132-000      |             | H32A-TG-M32               | -    | M32  |
| T1329320140-000      |             | H32A-TG-M40               | -    | M40  |
| T1329320150-000      | H32A-TG-M50 | -                         | M50  |      |

THIS DRAWING IS A CONTROLLED DOCUMENT.

|                |   |   |   |                |
|----------------|---|---|---|----------------|
| DIMENSIONS: mm | TOLERANCES UNLESS OTHERWISE SPECIFIED:<br>0 PLC ±<br>1 PLC ±<br>2 PLC ±<br>3 PLC ±<br>4 PLC ±<br>ANGLES ±<br>FINISH | DWN DAVID LI 11MAY2015<br>CHK CHRIS WANG 11MAY2015<br>APVD XU XIANG 11MAY2015 | TE Connectivity<br>NAME H32A-TS/TG-PG/M |                |
| MATERIAL       |   | PRODUCT SPEC 108-137010<br>APPLICATION SPEC 114-137010<br>WEIGHT              | SIZE A2                                 | RESTRICTED TO  |
|                |   | Customer Drawing  | SCALE 1:1                               | SHEET OF REV B |

单击下面可查看定价，库存，交付和生命周期等信息

[>>TE Connectivity\(泰科\)](#)