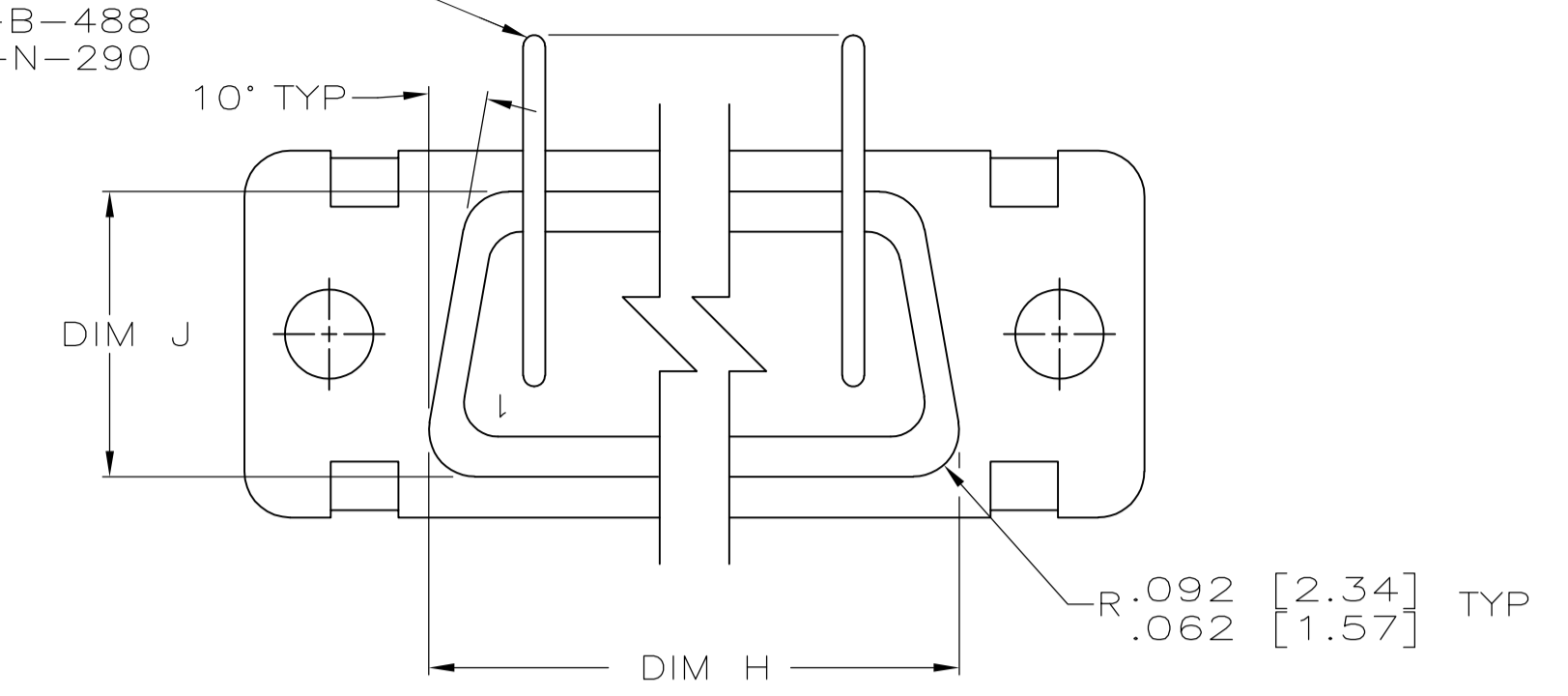
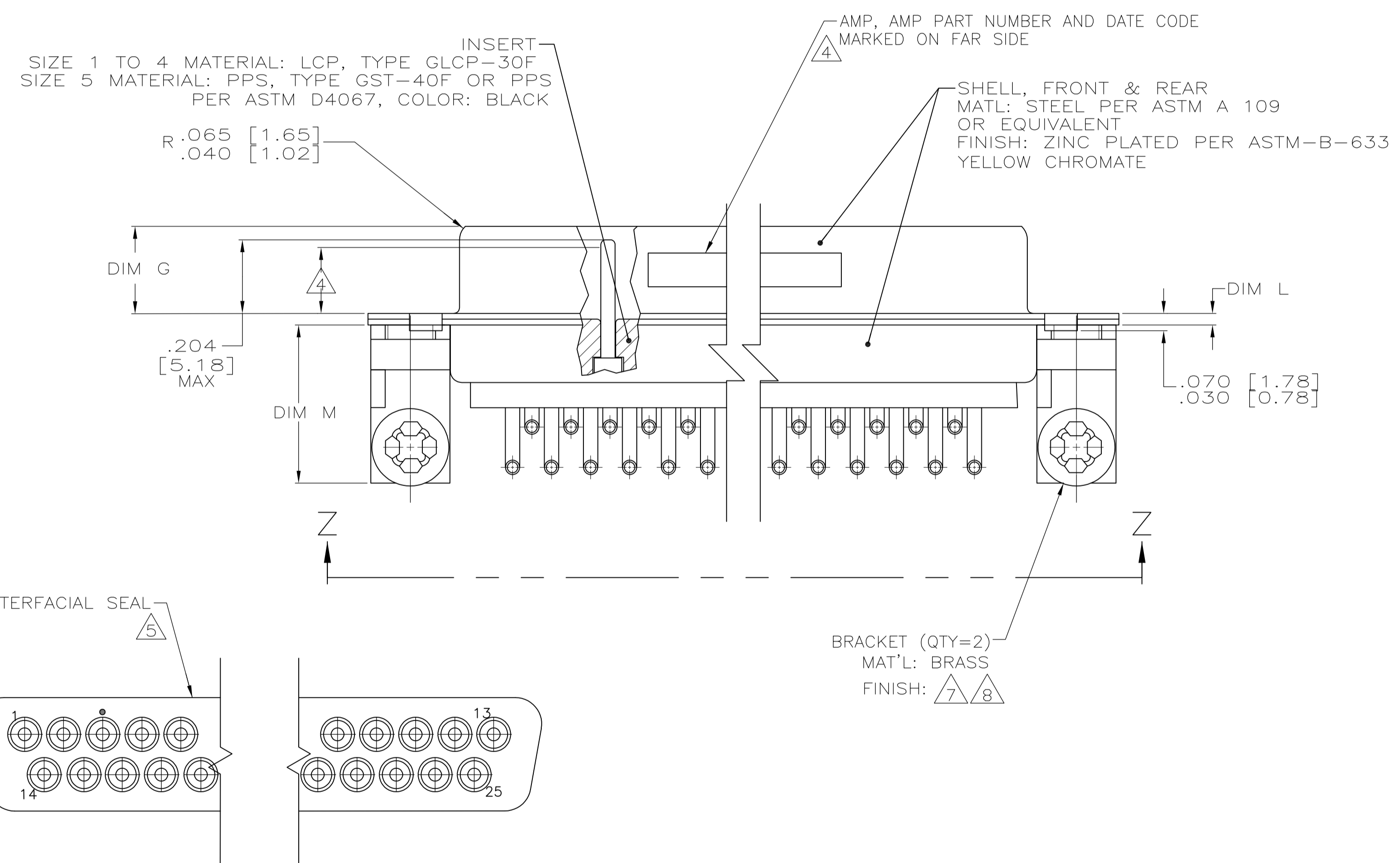


PIN CONTACT (QTY=POSN)  
 MAT'L: BRASS ALLOY PER ASTM-B-16  
 OR BERYLLIUM COPPER  
 FINISH: PLATED GOLD PER ASTM-B-488  
 OVER NICKEL PLATE PER QQ-N-290



VIEW Z-Z  
 SHOWN WITH BRACKET AND ALIGNMENT BOARD AND CLINCH NUTS REMOVED FOR CLARITY



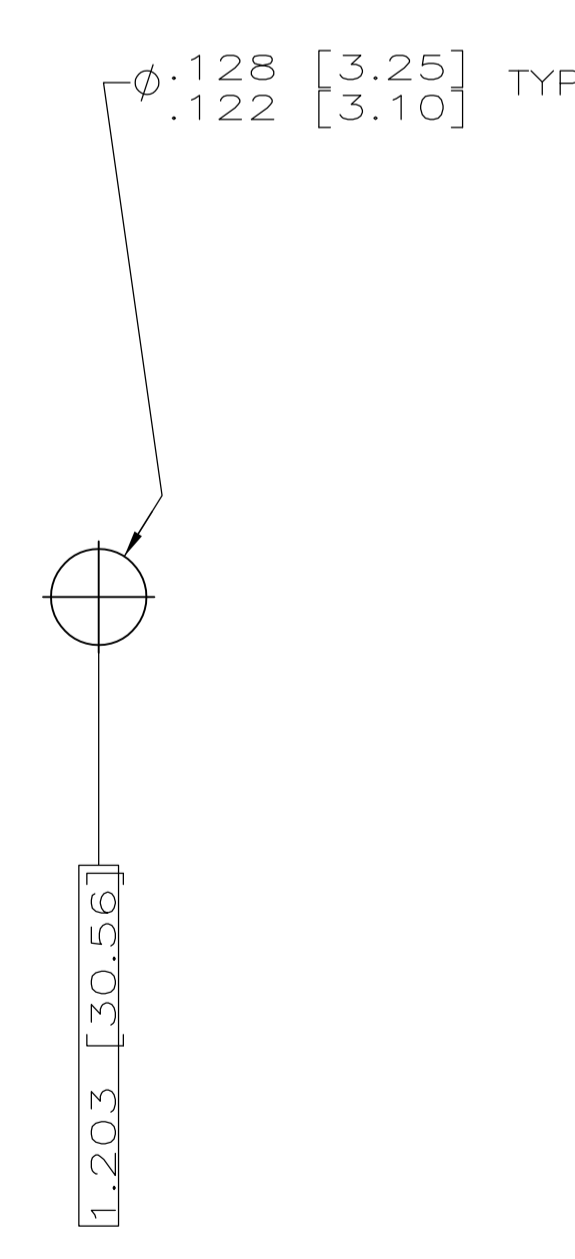
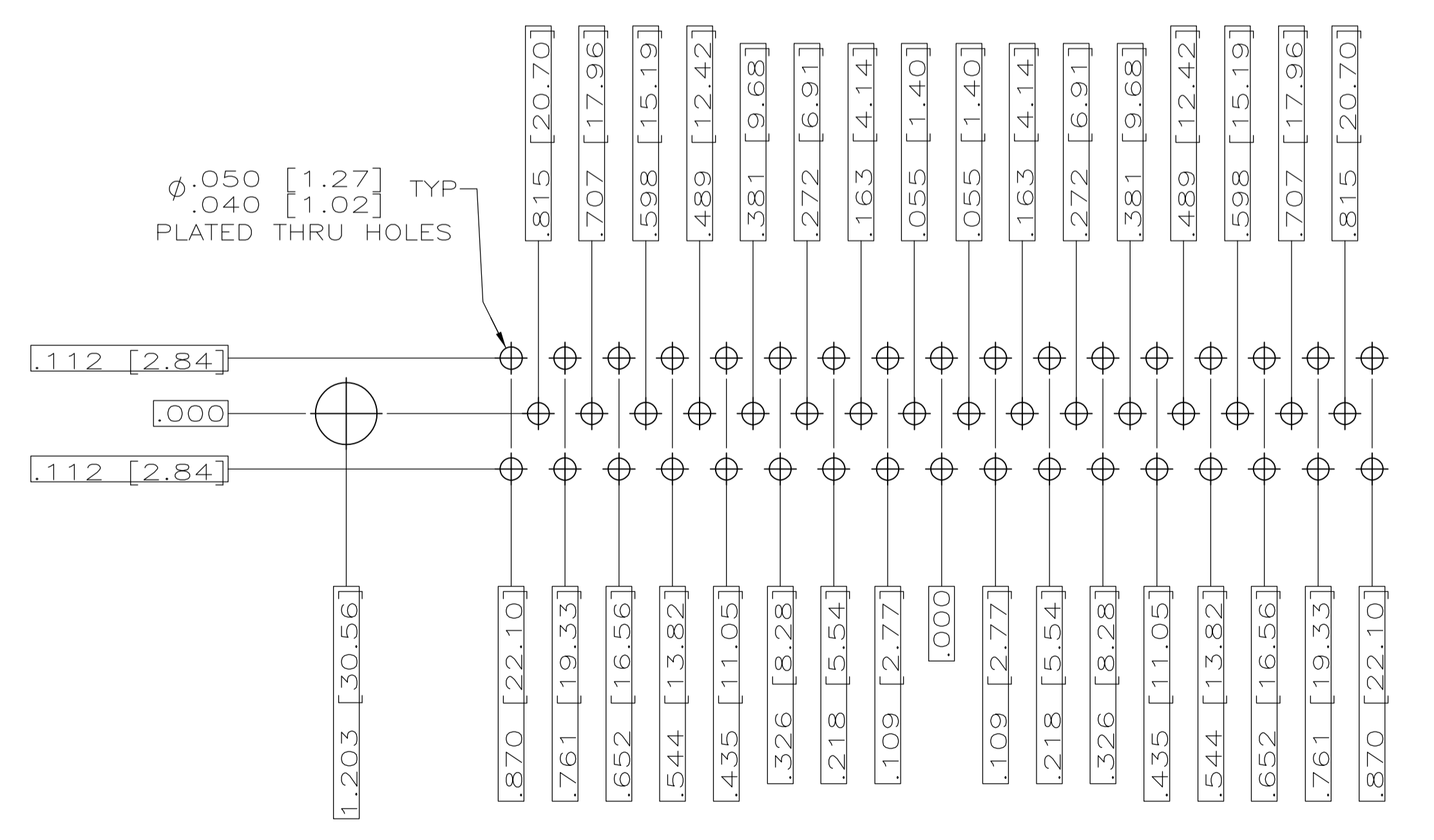
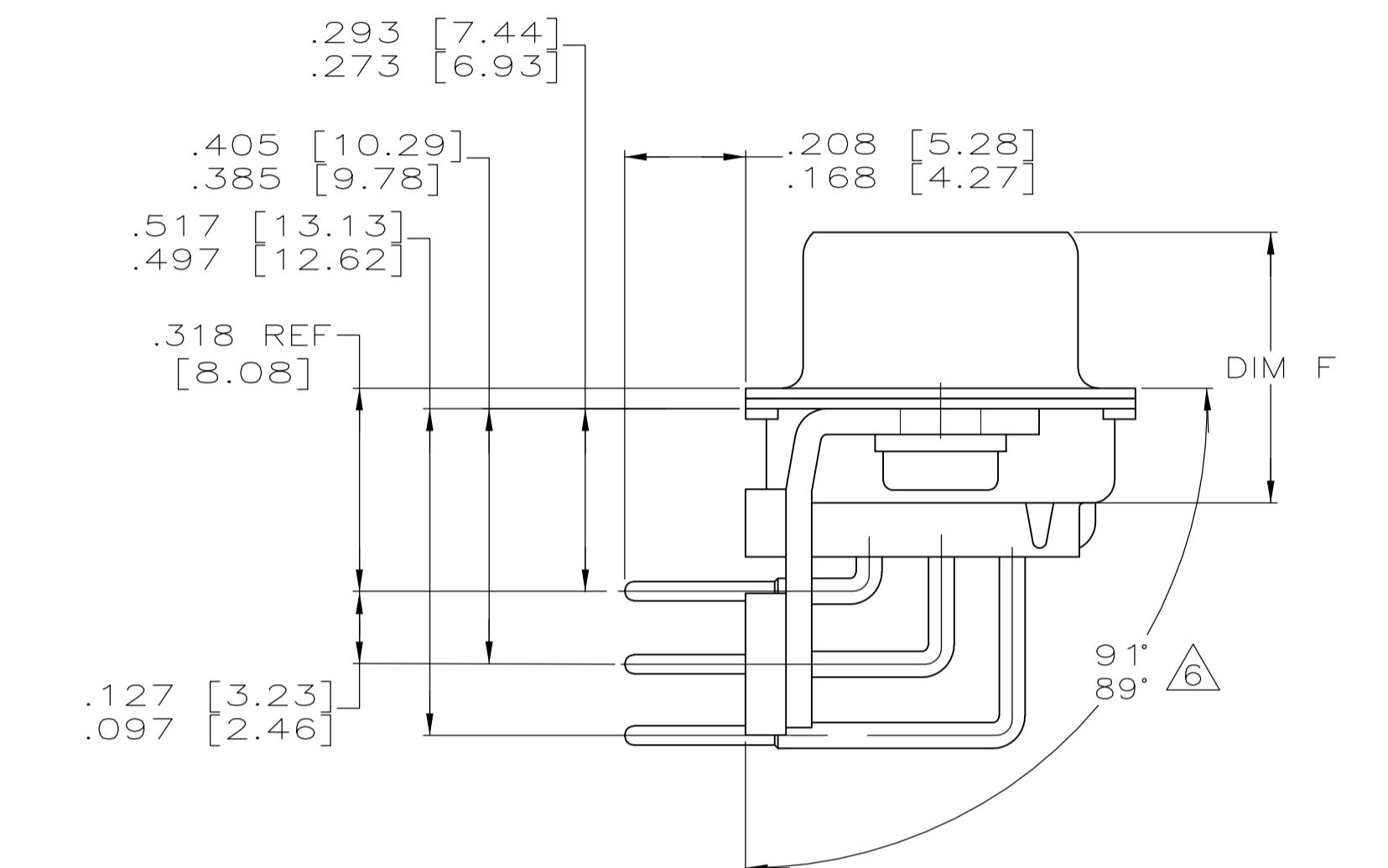
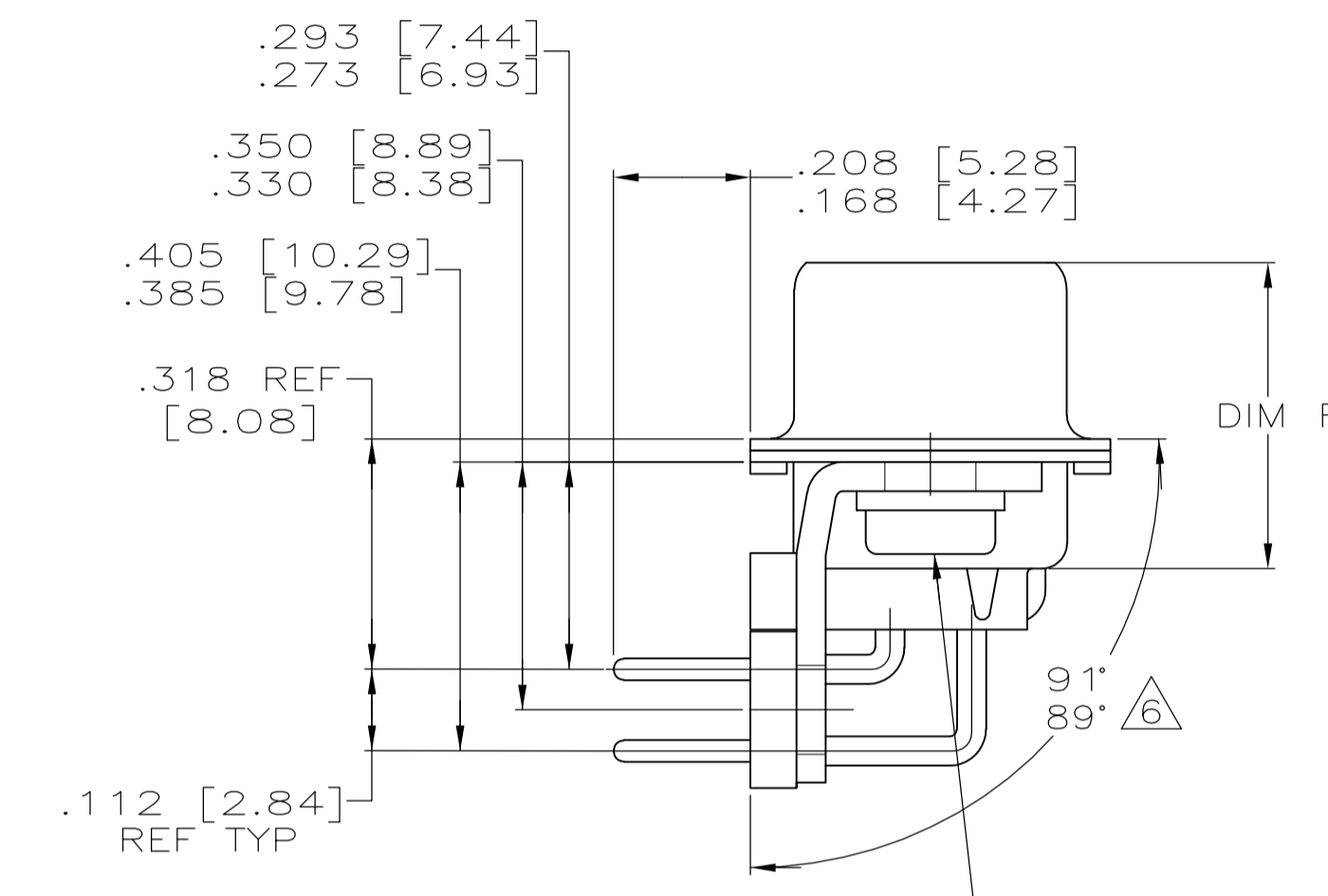
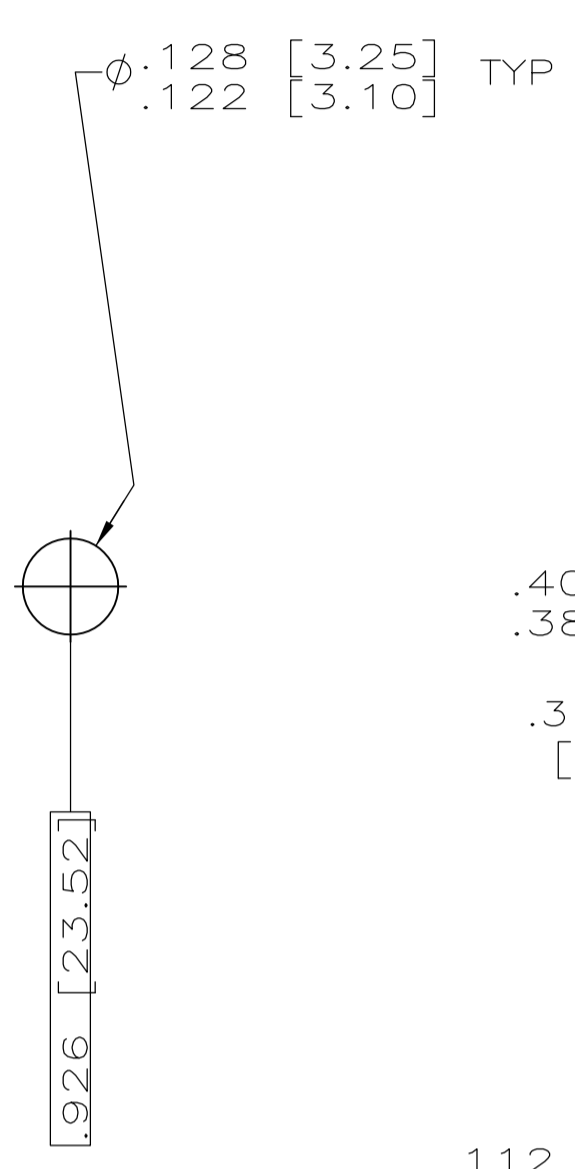
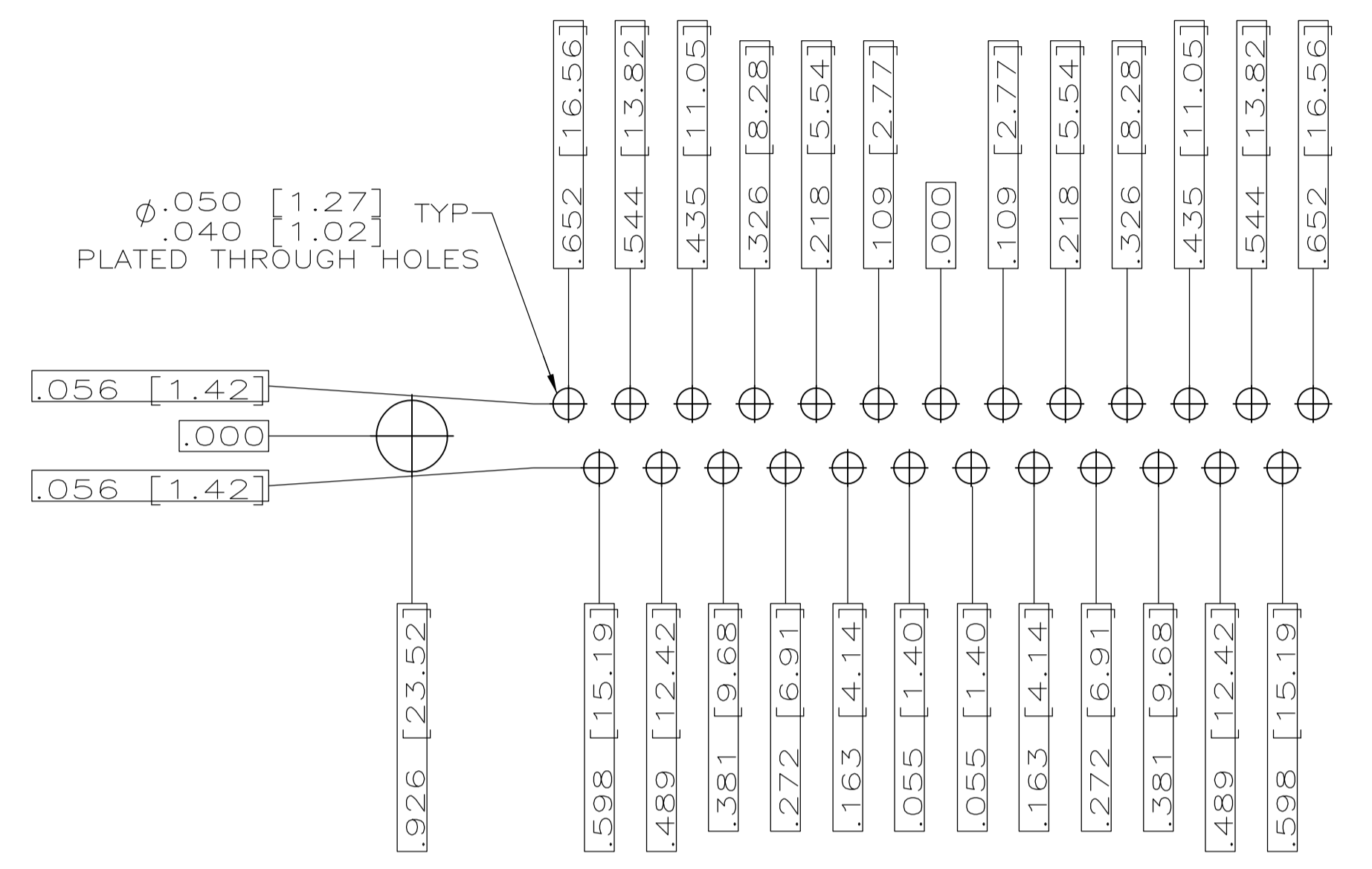
- 1 TRUE POSITION TOLERANCE FOR P.C.BOARD LAYOUT (ON SHEET #2) IS .010 [0.25] AT MAX MATERIAL CONDITION. SUGGESTED BOARD THICKNESS IS .093 [2.36]
- 2 THE CONNECTOR DESCRIBED IN THIS DOCUMENT WILL MATE WITH ANY RECEPTACLE CONNECTOR WITH THE SAME INSERT ARRANGEMENT.
- 3 MARKED WITH .047 [1.19]-.062 [1.57] HIGH CHARACTERS. FAR SIDE REFERS TO THE WIDE SIDE OF THE KEYSTONE. NEAR SIDE REFERS TO THE NARROW SIDE OF THE KEYSTONE. IF THE FRONT SHELL IS TOO SMALL FOR "AMP", AMP PART NUMBER AND DATE CODE, THEN SPLIT SHALL BE AS FOLLOWS:  
 A. AMP PART NUMBER ON REAR SHELL, NEAR SIDE.  
 B. "AMP" AND DATE CODE ON FRONT SHELL, NEAR SIDE.
- 4 REQUIREMENT FOR FULL PIN DIAMETER EXTENSION:
- 5 .150 [3.81] MIN FOR SHELL SIZE 3 & 5.
- 6 INTERFACIAL SEAL IS NOT INSTALLED; BULK PACKAGED SEPARATELY.
- 7 FINISH: MATTE TIN-LEAD OVER NICKEL PLATE.
- 8 FINISH: MATTE TIN OVER NICKEL PLATE.
- 9 ALTERNATE CLINCH NUT (QTY=2): CLINCH NUT, #4-40 FEMALE THREADS MAT'L: CARBON STEEL FINISH: ZINC PLATED, YELLOW CHROMATE

REMARKS	DIM M	DIM L	DIM J	DIM H	DIM G	DIM F	DIM E	DIM D	DIM C	DIM B	DIM A	INSERT ARRANGEMENT	NO OF POS	SHELL SIZE	AMP PART NO.
	.498 [12.65] .490 [12.45]	.049 [1.24] .029 [0.74]	.544 [13.82] .524 [13.31]	2.188 [55.58] 2.168 [55.07]	.236 [5.99] .224 [5.69]	.436 [11.07] .416 [10.57]	.620 [15.75] .590 [14.99]	.446 [11.33] .436 [11.07]	2.411 [61.24] 2.401 [60.99]	2.084 [52.55] 2.074 [52.30]	2.650 [67.31] 2.620 [66.55]	MS18277-1	50	5	5-1218538-5
	.443 [11.25] .435 [11.05]	.049 [1.24] .029 [0.74]	.432 [10.97] .412 [10.46]	1.635 [41.53] 1.615 [41.02]	.236 [5.99] .224 [5.69]	.436 [11.07] .416 [10.57]	.509 [12.93] .479 [12.17]	.334 [8.48] .324 [8.23]	1.857 [47.17] 1.847 [46.91]	1.539 [38.51] 1.529 [38.25]	2.103 [53.42] 2.073 [52.65]	MS18275-1	25	3	5-1218538-3
OBSOLETE	.498 [12.65] .490 [12.45]	.049 [1.24] .029 [0.74]	.544 [13.82] .524 [13.31]	2.188 [55.58] 2.168 [55.07]	.236 [5.99] .224 [5.69]	.436 [11.07] .416 [10.57]	.620 [15.75] .590 [14.99]	.446 [11.33] .436 [11.07]	2.411 [61.24] 2.401 [60.99]	2.084 [52.55] 2.074 [52.30]	2.650 [67.31] 2.620 [66.55]	MS18277-1	50	5	1218538-5
OBSOLETE	.443 [11.25] .435 [11.05]	.049 [1.24] .029 [0.74]	.432 [10.97] .412 [10.46]	1.635 [41.53] 1.615 [41.02]	.236 [5.99] .224 [5.69]	.436 [11.07] .416 [10.57]	.509 [12.93] .479 [12.17]	.334 [8.48] .324 [8.23]	1.857 [47.17] 1.847 [46.91]	1.539 [38.51] 1.529 [38.25]	2.103 [53.42] 2.073 [52.65]	MS18275-1	25	3	1218538-3

THIS DRAWING IS A CONTROLLED DOCUMENT.

DIMENSIONS: INCHES	TOLERANCES UNLESS OTHERWISE SPECIFIED:	DIN C.C.THOMAS 5-1-00	APVD C.BAKER 5-1-00	NAME
0 PLC ± .005	1 PLC ± .005	2 PLC ± .005	3 PLC ± .005	4 PLC ± .005
ANGLES ± .1°				
MATERIAL SEE CALLOUTS	FINISH SEE CALLOUTS	WEIGHT	SIZE	CAGE CODE
			A1	00779
CUSTOMER DRAWING		SCALE 4:1	SHEET 1 OF 2	REV H

**STE** TE Connectivity  
 PLUG ASSY,AMPLIMITE RIGHT ANGLE,SERIES 109, WITH ONE PIECE INSERT



THIS DRAWING IS A CONTROLLED DOCUMENT.		DIN C.C.THOMAS 5-1-00	<b>STE</b> TE Connectivity
DIMENSIONS: INCHES		CHK C.BAKER 5-1-00	
TOLERANCES UNLESS OTHERWISE SPECIFIED:		APVO C.BAKER 5-1-00	NAME PLUG ASSY,AMPLIMITE RIGHT ANGLE,SERIES 109, WITH ONE PIECE INSERT
0 PLC ± -		PRODUCT SPEC	SIZE A1
1 PLC ± -		APPLICATION SPEC	CAGE CODE 00779
2 PLC ± -		WEIGHT	DRAWING NO 1218538
3 PLC ± -		RESTRICTED TO	SCALE 4:1
4 PLC ± -		CUSTOMER DRAWING	SHEET 2 OF 2
ANGLES ± 1°			REV H

单击下面可查看定价，库存，交付和生命周期等信息

[>>TE Connectivity\(泰科\)](#)