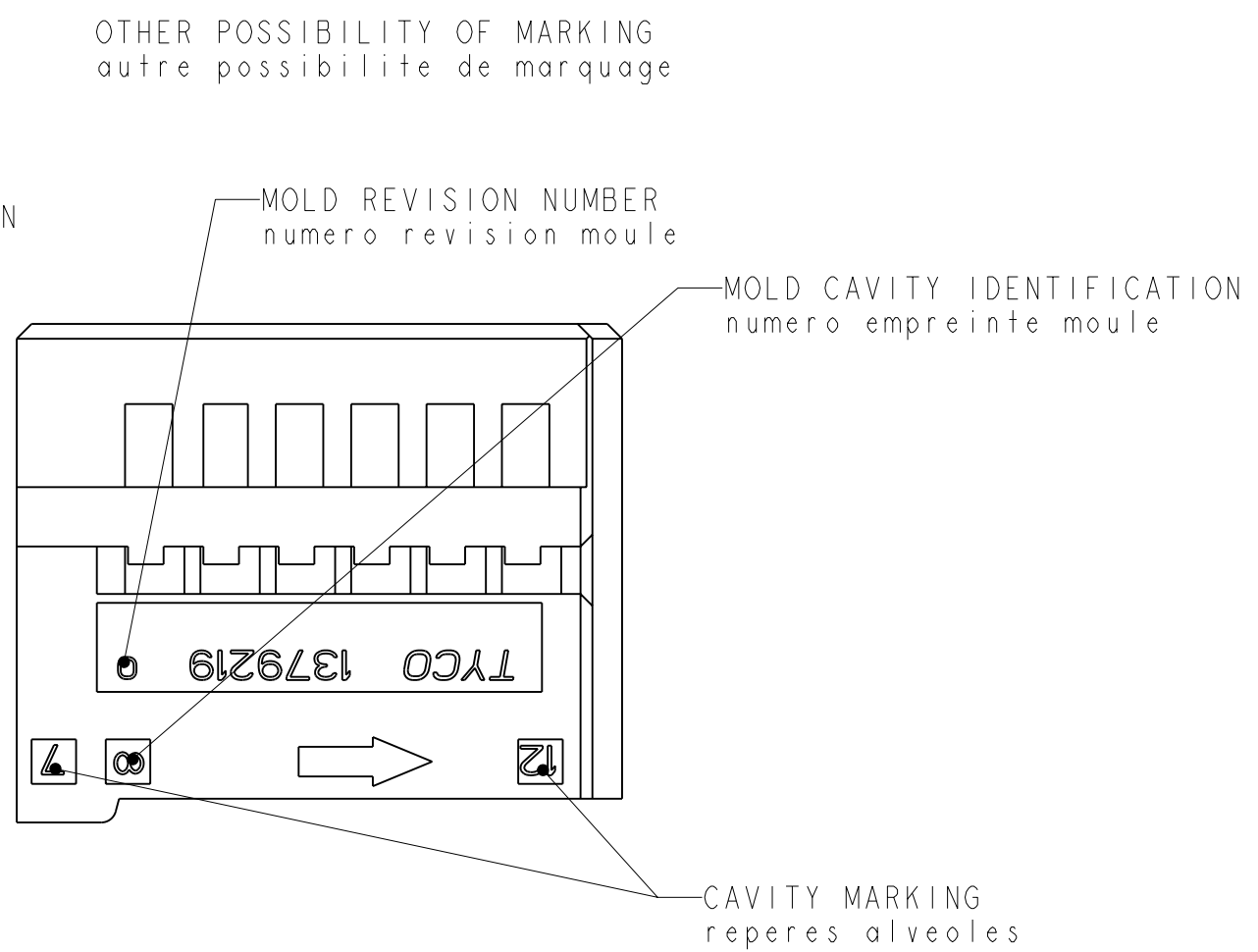
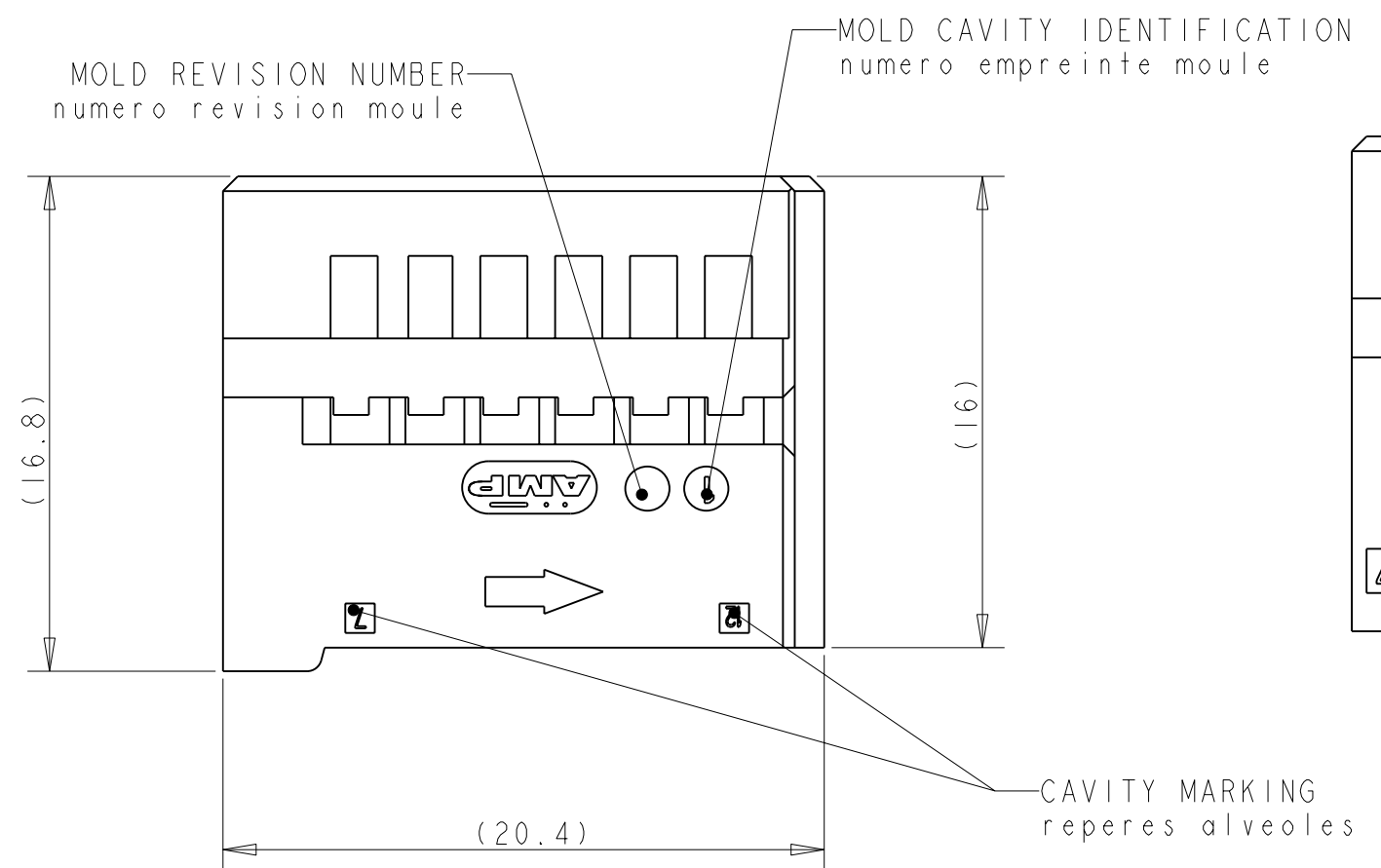
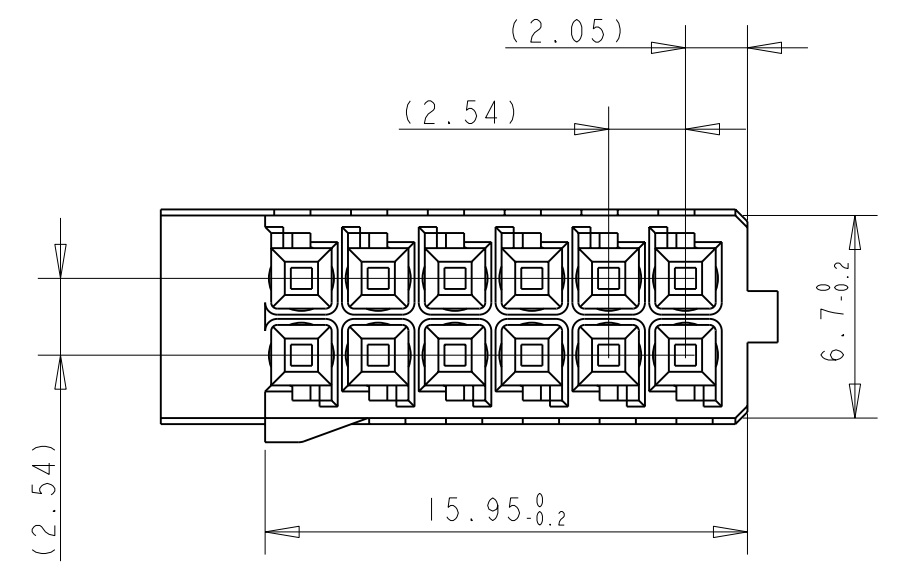
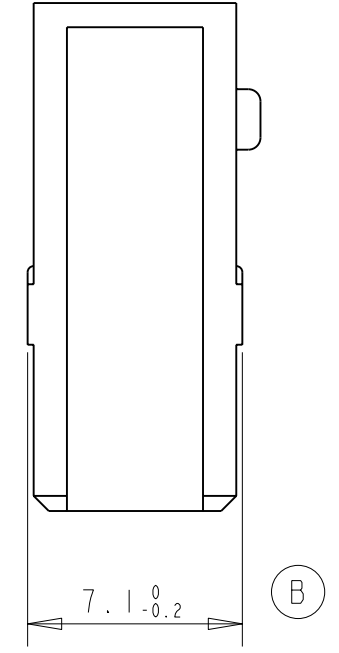
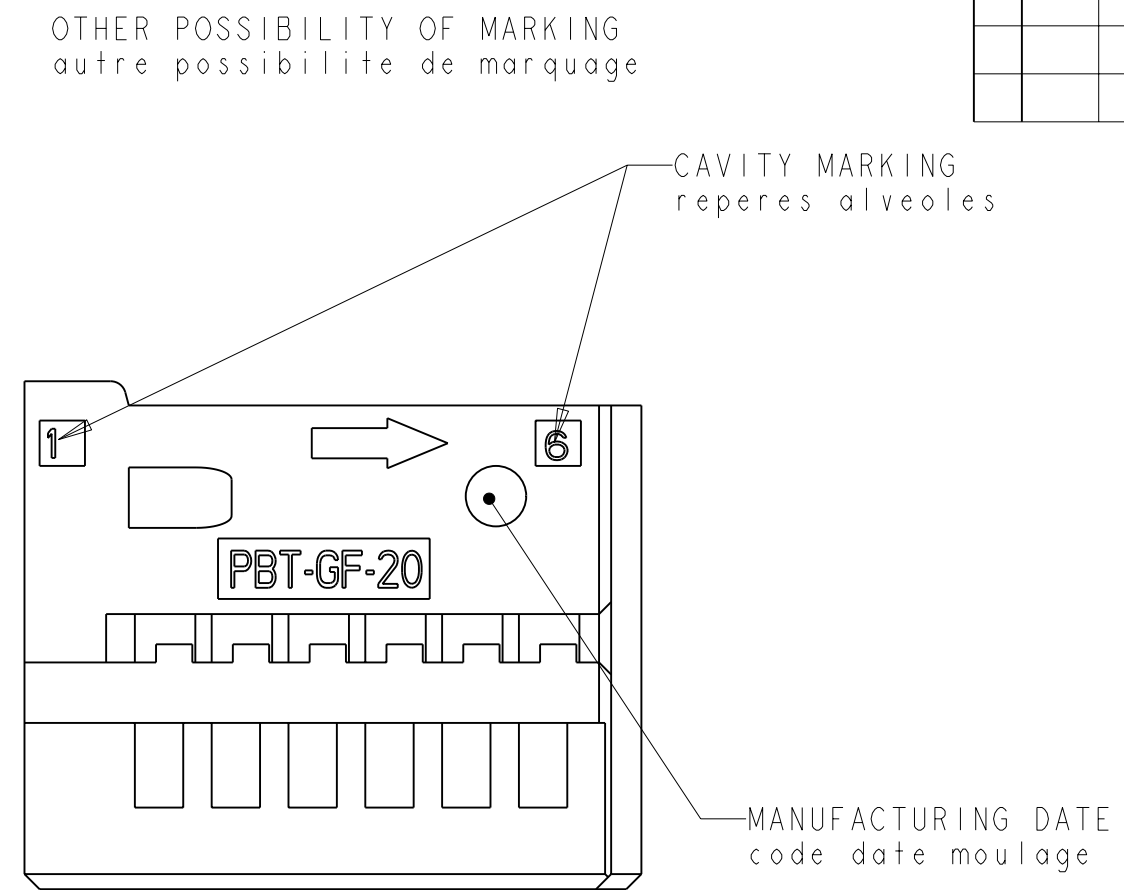
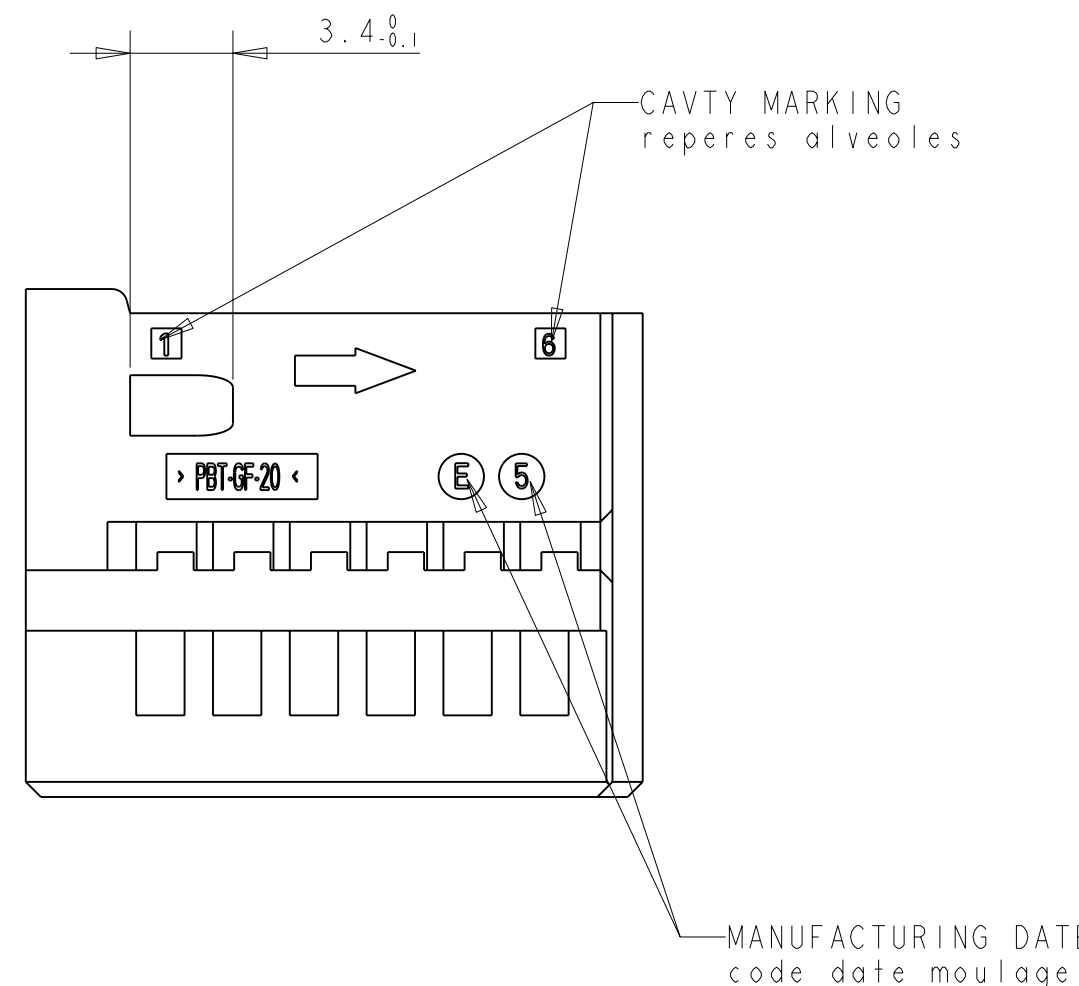
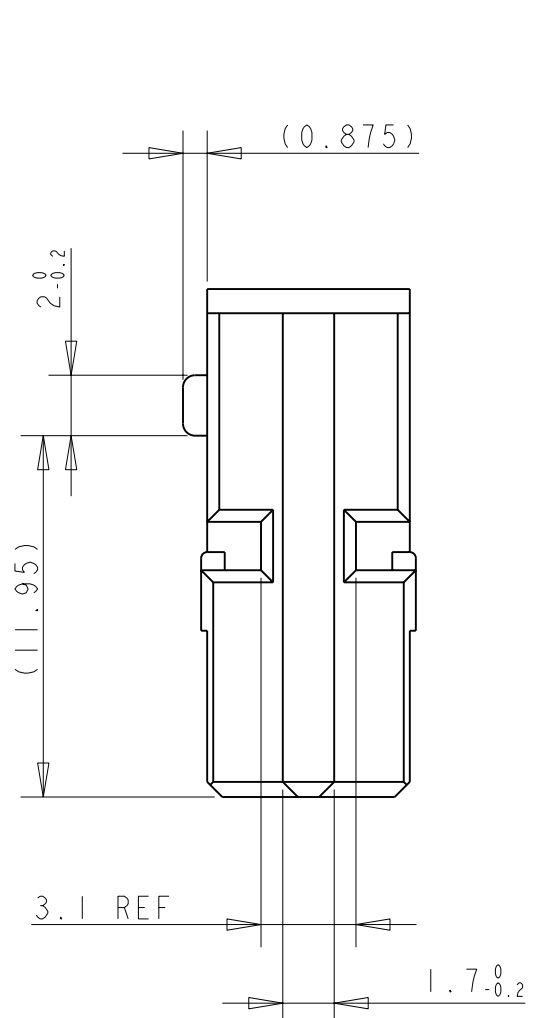


THIS DRAWING IS UNPUBLISHED.
 DIFFUSION RESTREINTE
 © COPYRIGHT 2007 BY TYCO ELECTRONICS CORPORATION. ALL RIGHTS RESERVED.
 TOUS DROITS RESERVES

RELEASED FOR PUBLICATION
 LIBRE A LA DIFFUSION
 2007

LOC	DIST	REVISIONS					
F	00	P	LTR	DESCRIPTION MODIFICATIONS	DATE	DWN. DESS.	APVD. APP.
		B		7,1 +0/-0.1 -> 7,1 +0/-0.2	10SEP2008	MP	EC



PART TO BE USED WITH:
 COVER FOR MQS 12 POS GENE 11 0°: 1379095-X
 COVER FOR MQS 12 POS GENE 11 90° REF: 1379096-X
 MQS CONTACT REF 144969-X
 MQS CONTACT LOW COST REF: 1379418-X
 MQS CONTACT LOW COST REF: 1379419-X

PBT GF 20%	BLACK	1379219-1
PBT 20% FV	noir	
MATERIAL	COLOR	TE REF
matiere	couleur	ref TE

THIS DRAWING IS A CONTROLLED DOCUMENT FOR TYCO ELECTRONICS CORPORATION. IT IS SUBJECT TO CHANGE AND THE CONTROLLING ENGINEERING ORGANIZATION SHOULD BE CONTACTED FOR THE LATEST REVISION. CE PLAN EST UN DOCUMENT CONTRÔLÉ PAR TYCO ELECTRONICS INCORPORATED. IL EST SUSCEPTIBLE D'ÊTRE REVISÉ. CONTACTER LE SERVICE CLIENT DE TYCO ELECTRONICS FRANCE POUR OBTENIR LA DERNIÈRE RÉVISION.		DWN/DESSINE M. POLIFONTE 10MAY2007	Tyco Electronics France SAS 95300 Pontoise, France	
DIMENSIONS: mm		CHK/VERIFIE X. ROULLIARD 10MAY2007	NAME MOS SOCKET HOUSING 12 POS GENERATION 11 module 12 voies generation 11	
TOLERANCES UNLESS OTHERWISE SPECIFIED: mm 0 DEC/DEC/4 0.2 DEC/DEC/4 0.5 DEC/DEC/4 1 DEC/DEC/4 ANGLES ±5°		APVD/APROUVE J. DAHER 10MAY2007	SIZE A2	
MATERIAL SEE TABLE		FINISH SEE TABLE	APPLICATION SPEC 108-15261	RESTRICTED TO RESERVE A
MATERIAL SEE TABLE		FINISH SEE TABLE	SPEC. APPLICATION 411-15565	REV B
MATERIAL SEE TABLE		FINISH SEE TABLE	WEIGHT MASSE APPROX. 2g	
MATERIAL SEE TABLE		FINISH SEE TABLE	CUSTOMER DRAWING /PLAN CLIENT	
MATERIAL SEE TABLE		FINISH SEE TABLE	UNIQUEMENT POUR REFERENCE	
MATERIAL SEE TABLE		FINISH SEE TABLE	SCALE Echelle 4:1	
MATERIAL SEE TABLE		FINISH SEE TABLE	SHEET FEUILLE 1	
MATERIAL SEE TABLE		FINISH SEE TABLE	OF DE 1	
MATERIAL SEE TABLE		FINISH SEE TABLE	REV B	

单击下面可查看定价，库存，交付和生命周期等信息

[>>TE Connectivity\(泰科\)](#)