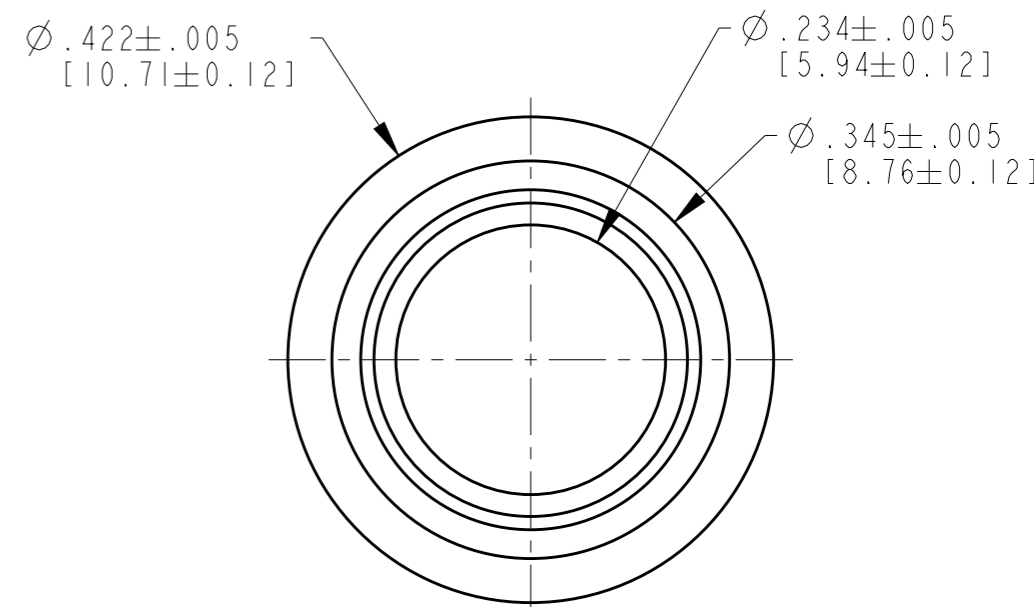
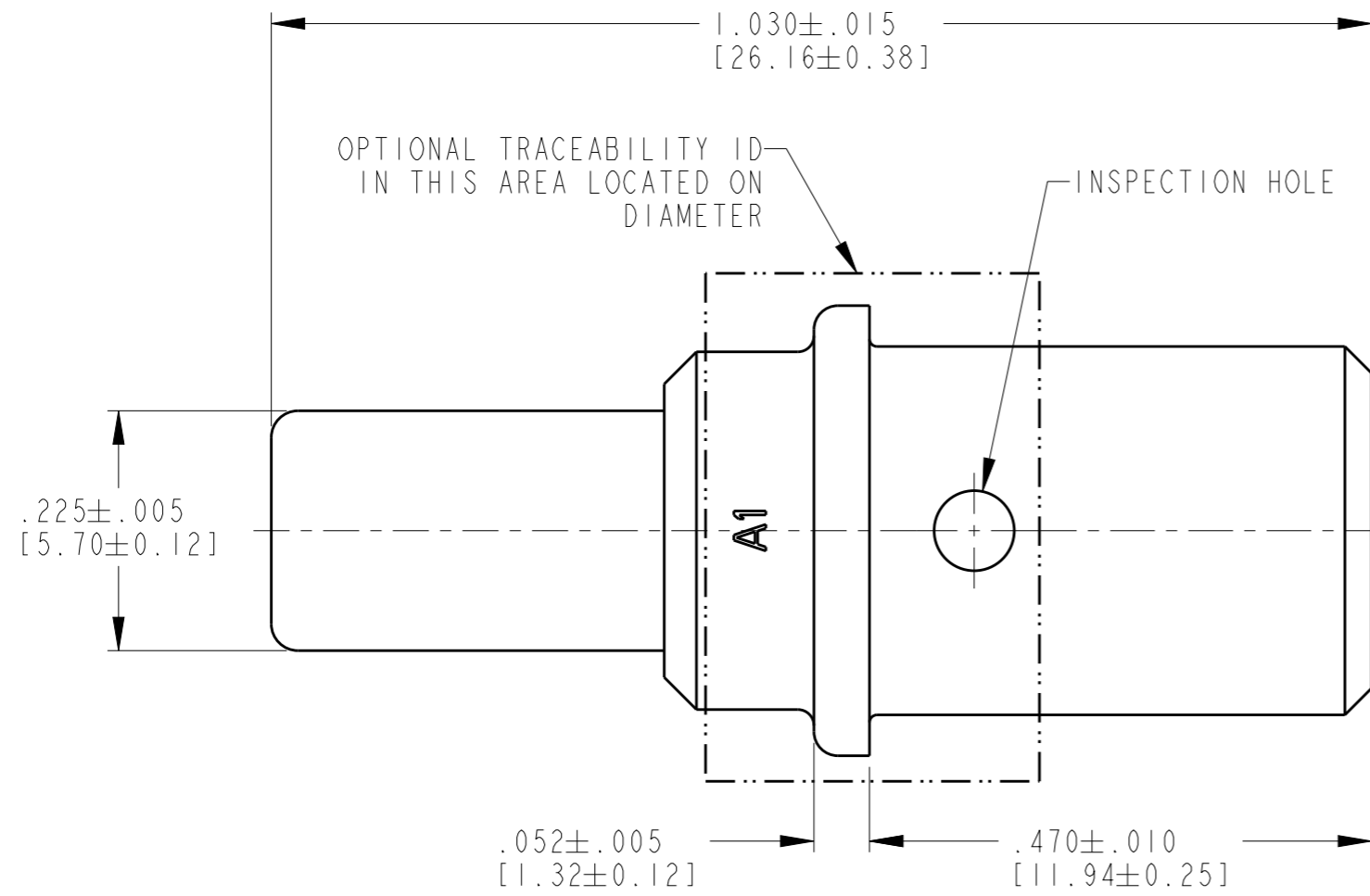


| REVISIONS | | | | | |
|-----------|-----|-----------------------------|-----------|-----|------|
| P | LTR | DESCRIPTION | DATE | DWN | APVD |
| | A1 | REVISED PER PCN E-17-016249 | 03NOV2017 | JA | DM |
| | B | REVISED PER PCN E-18-012207 | 31JUL2018 | JA | DM |
| | B1 | REVISED PER PCN E-19-018080 | 19NOV2019 | MK | DM |



| TE INTERNAL PN | DEUTSCH PN | PLATING |
|----------------|----------------|---------|
| 0460-204-0490 | 0460-204-04141 | NICKEL |
| 0460-204-0431 | 0460-204-0431 | GOLD |

(BI) 2. SEE APPLICATION SPECIFICATION 114-151004 FOR CRIMP TOOLS AND WIRE RANGE.

(BI) 1. DELETED

NOTES: UNLESS OTHERWISE SPECIFIED

| | | | | | | | | | | | | | | | | |
|--|---|--------------------------------|-------------------------------|-----------------------------|---|-------|---|-------|---|-------|---|--------|---|----------------------------|------------|--|
| THIS DRAWING IS A CONTROLLED DOCUMENT. | | DWN D. MEYER 29NOV2000 | | | | | | | | | | | | | | |
| DIMENSIONS: INCHES [mm] | | CHK B. BYFORD 18DEC2000 | | | | | | | | | | | | | | |
| TOLERANCES UNLESS OTHERWISE SPECIFIED: | | APVD R. REED 19DEC2000 | NAME CONTACT PIN SIZE 4 | | | | | | | | | | | | | |
| <table border="1"> <tr><td>0 PLC</td><td>±</td></tr> <tr><td>1 PLC</td><td>±</td></tr> <tr><td>2 PLC</td><td>±</td></tr> <tr><td>3 PLC</td><td>±</td></tr> <tr><td>4 PLC</td><td>±</td></tr> <tr><td>ANGLES</td><td>±</td></tr> </table> | | 0 PLC | ± | 1 PLC | ± | 2 PLC | ± | 3 PLC | ± | 4 PLC | ± | ANGLES | ± | PRODUCT SPEC 108-151004 | SIZE A3 | |
| 0 PLC | ± | | | | | | | | | | | | | | | |
| 1 PLC | ± | | | | | | | | | | | | | | | |
| 2 PLC | ± | | | | | | | | | | | | | | | |
| 3 PLC | ± | | | | | | | | | | | | | | | |
| 4 PLC | ± | | | | | | | | | | | | | | | |
| ANGLES | ± | | | | | | | | | | | | | | | |
| MATERIAL | | APPLICATION SPEC 114-151004 | CAGE CODE 4AFU8 | DRAWING NO 0460-204-04XX | | | | | | | | | | | | |
| FINISH | | WEIGHT 8.33g | RESTRICTED TO | | | | | | | | | | | | | |
| CUSTOMER DRAWING | | | SCALE 6:1 | SHEET 1 OF 1 | | | | | | | | | | | | |
| REV B1 | | | | | | | | | | | | | | | | |

单击下面可查看定价，库存，交付和生命周期等信息

[>>TE Connectivity\(泰科\)](#)