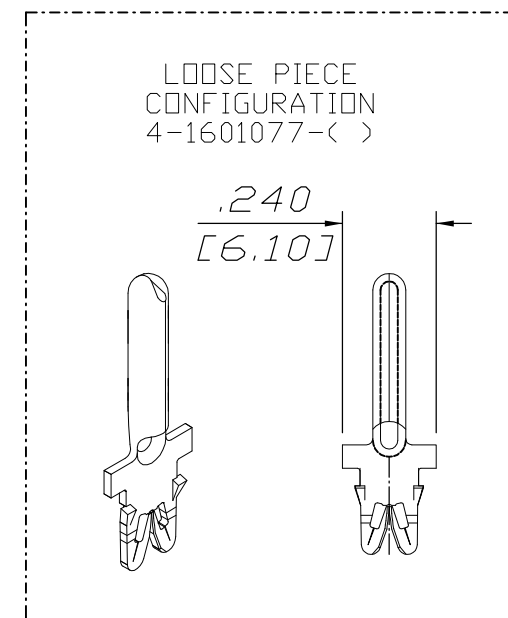
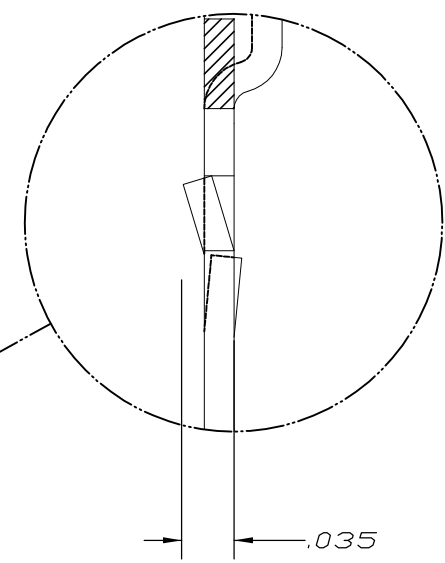
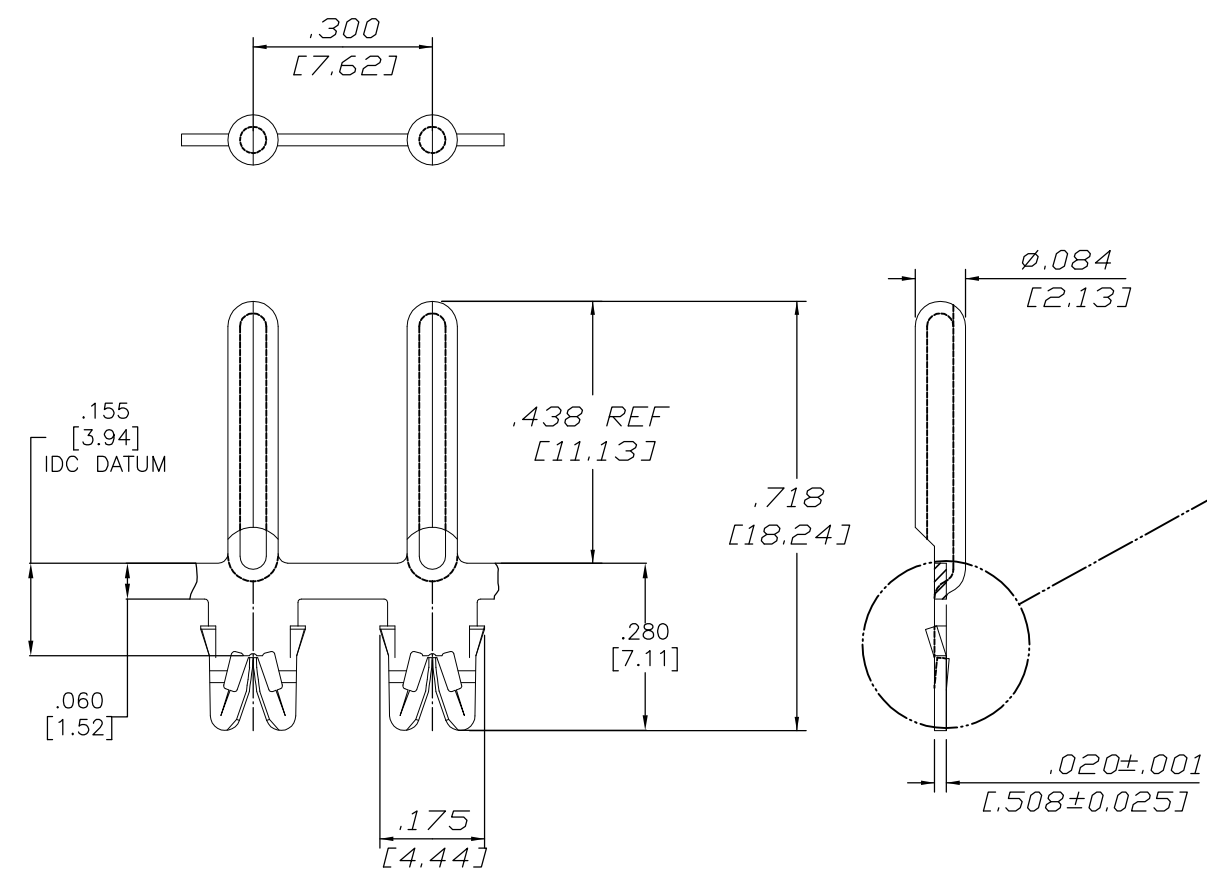
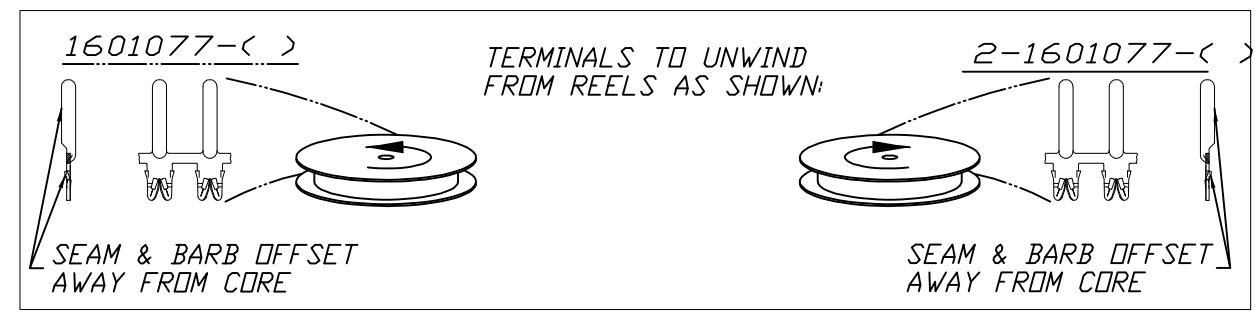


THIS DRAWING IS UNPUBLISHED. RELEASED FOR PUBLICATION
 © COPYRIGHT - By - ALL RIGHTS RESERVED.

LOC	DIST	REVISIONS			
P	LTR	DESCRIPTION	DATE	DWN	APVD
AF	50	B1	REVISE PER ECR-14-017292	19NOV2014	GRZ JL



- SPECIFICATIONS:
MAGNET WIRE #18-#34 AWG
.040" (1.02 mm) - .006" (0.16 mm) DIA
- POCKET RECOMMENDATION:
#1601424
- NOTES:
TERMINALS SUPPLIED ON REELS,
CAN BE SUPPLIED LOOSE PIECE,



-	-	-
-	-	-
-	-	-
-	-	-
Unplated	131-148-000	2-1601077-1
OBSOLETED Unplated	131-147-000	1601077-1
FINISH	REFERENCE PART NUMBER	TE PART NUMBER

THIS DRAWING IS A CONTROLLED DOCUMENT.

DIMENSIONS: mm	TOLERANCES UNLESS OTHERWISE SPECIFIED:	DWN J.WELLER 11JAN2002	 TE Connectivity .084 PIN STANDARD SIAMEZE TERMINAL
	0 PLC ± -	CHK M.FEHER 11JAN2002	
	1 PLC ± -	APVD K.RANDOLPH 11JAN2002	
	2 PLC ± .01[0.25]	NAME	
	3 PLC ± .005[0.13]	PRODUCT SPEC	108-2085
	4 PLC ± -	APPLICATION SPEC	408-8629
	ANGLES ± 2°	WEIGHT	-
MATERIAL BRASS, EXTRA HARD	FINISH SEE TABLE	SIZE	A3
		CAGE CODE	00779
		DRAWING NO	C-1601077
		RESTRICTED TO	-
		CUSTOMER DRAWING	SCALE 4:1
			SHEET 1 OF 1
			REV B1

单击下面可查看定价，库存，交付和生命周期等信息

[>>TE Connectivity\(泰科\)](#)