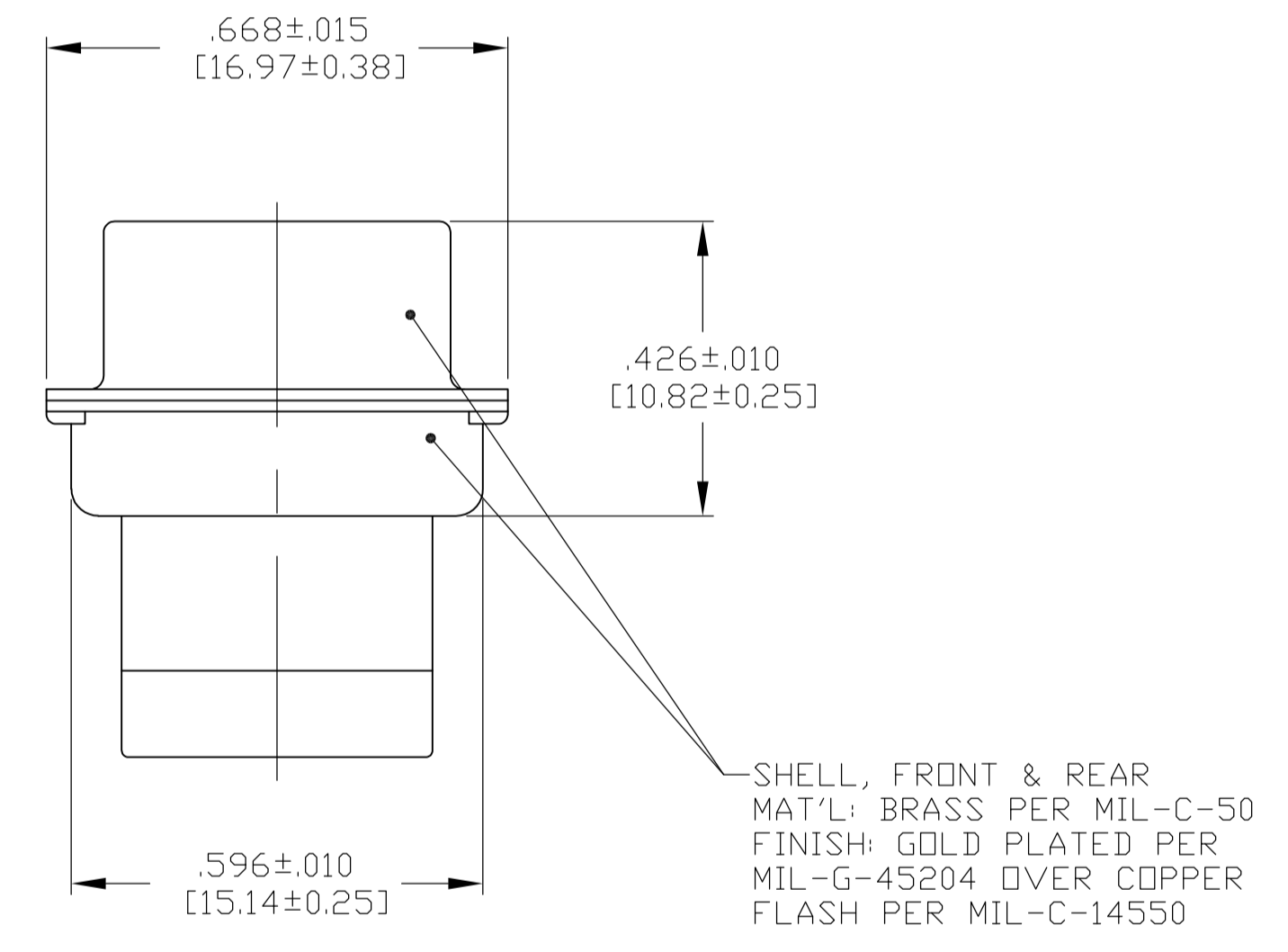
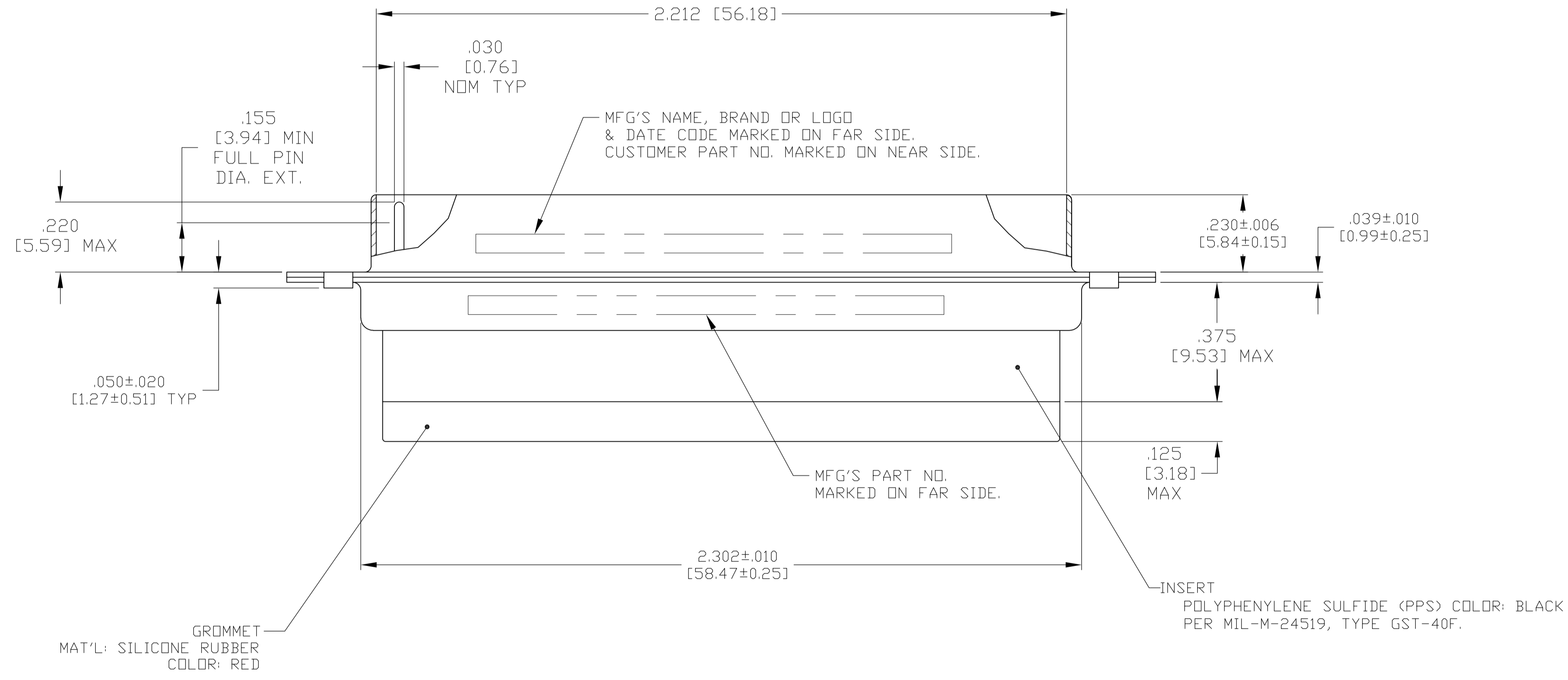
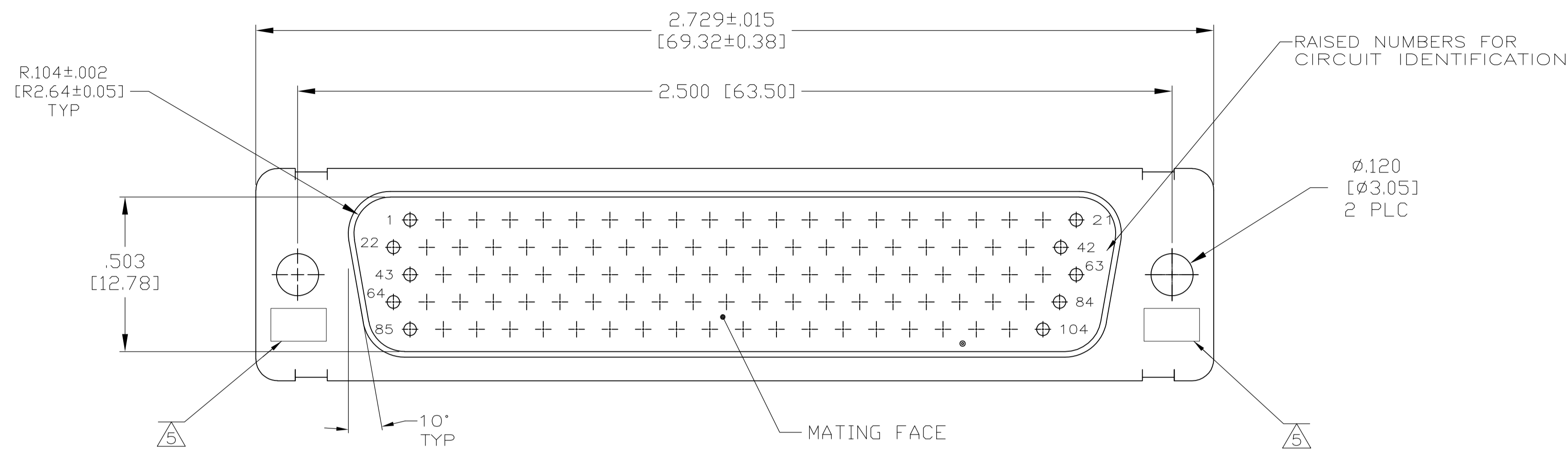


LOC		DIST		REVISIONS			
P	LTR	DESCRIPTION	DATE	DNW	APVD		
D		REV PER ECO-12-004103	15MAR12	PY	RL		



- THIS PLUG WILL MATE WITH ANY SIZE 6, 104 POSN. RCPT. IN AMPLIMITE SERIES.
 - MAXIMUM WIRE INSULATION USED WITH THIS PLUG IS .054 [1.37] DIA.
 - SINGLE LOT DATE CODE IS REQUIRED.
 - CONNECTOR SUPPLIED WITHOUT CONTACTS; SHOWN FOR ILLUSTRATION ONLY. (PER MIL-C-39029B/58-360)
- ▲ UL/CSA DESIGNATION STAMPED IN THIS AREA, OPTIONAL.

THIS DRAWING IS A CONTROLLED DOCUMENT.		DIN C.C.THOMAS 6-1-06		REMARKS		CI-2A-112-001V-001		1883448-1													
DIMENSIONS: INCHES		TOLERANCES UNLESS OTHERWISE SPECIFIED:		APVD D.MILLER 6-1-06		CUSTOMER PART NUMBER		PART NO.													
<table border="1"> <tr><td>0 PLC</td><td>± -</td></tr> <tr><td>1 PLC</td><td>± -</td></tr> <tr><td>2 PLC</td><td>± -</td></tr> <tr><td>3 PLC</td><td>± .005 [0.13]</td></tr> <tr><td>4 PLC</td><td>± -</td></tr> <tr><td>ANGLES</td><td>± ± 1°</td></tr> </table>		0 PLC	± -	1 PLC	± -	2 PLC	± -	3 PLC	± .005 [0.13]	4 PLC	± -	ANGLES	± ± 1°	FINISH SEE CALLOUTS		NAME PLUG ASSY,AMPLIMITE,SIZE 6, SERIES 90, 104 POSITION, NON-MAGNETIC, SPECIAL WITH GROMMET		SIZE		RESTRICTED TO	
0 PLC	± -																				
1 PLC	± -																				
2 PLC	± -																				
3 PLC	± .005 [0.13]																				
4 PLC	± -																				
ANGLES	± ± 1°																				
MATERIAL SEE CALLOUTS		WEIGHT		APPLICATION SPEC		A1 00779		SCALE 4:1 SHEET 1 OF 1 REV D													
CUSTOMER DRAWING		SCALE 4:1		DRAWING NO. 1883448		SHEET 1 OF 1		REV D													

单击下面可查看定价，库存，交付和生命周期等信息

[>>TE Connectivity\(泰科\)](#)