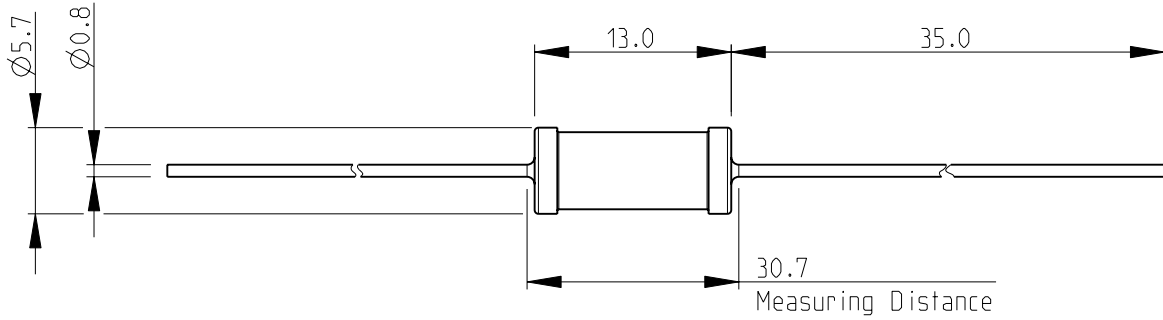
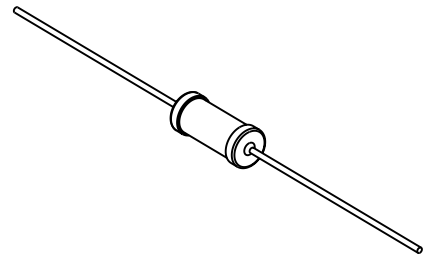


LOC	DIST	REVISIONS				
P	LTR	DESCRIPTION	DATE	DWN	APVD	
E	B	BA	NEW RELEASE	16-Sep-08	SM	St.P

FOR FURTHER INFORMATION SEE DATA SHEET FOR  
C SERIES-HIGH POWER RESISTORS



RoHS Compliant



SCALE 1:1

2008

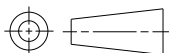
RELEASED FOR PUBLICATION

THIS DRAWING IS UNPUBLISHED.

BY TYCO ELECTRONICS CORPORATION. ALL RIGHTS RESERVED.

© COPYRIGHT 2008

DIMENSIONS: mm	DWN SUBHASH.M	16-Sep-08	MATERIAL	-	FINISH	-
	CHK PRAKASH.S	16-Sep-08	Tyco Electronics Corporation Dorcan, Swindon, SN3 5HH			
TOLERANCES UNLESS OTHERWISE SPECIFIED:	APVD STEPHEN.P	16-Sep-08				
	0 PLC $\pm 0.2$	PRODUCT SPEC	NAME HIGH POWER RESISTORS SERIES C3A			
1 PLC $\pm 0.1$	-					
2 PLC $\pm$	APPLICATION SPEC	SIZE CAGE CODE DRAWING NO RESTRICTED TO A 4 00779 C-1623771 -				
3 PLC $\pm$	-					
4 PLC $\pm$	WEIGHT	-	CUSTOMER DRAWING SCALE 2:1 SHEET 1 OF 1 REV BA			
ANGLES $\pm 5^\circ$	-					



单击下面可查看定价，库存，交付和生命周期等信息

[>>TE Connectivity\(泰科\)](#)