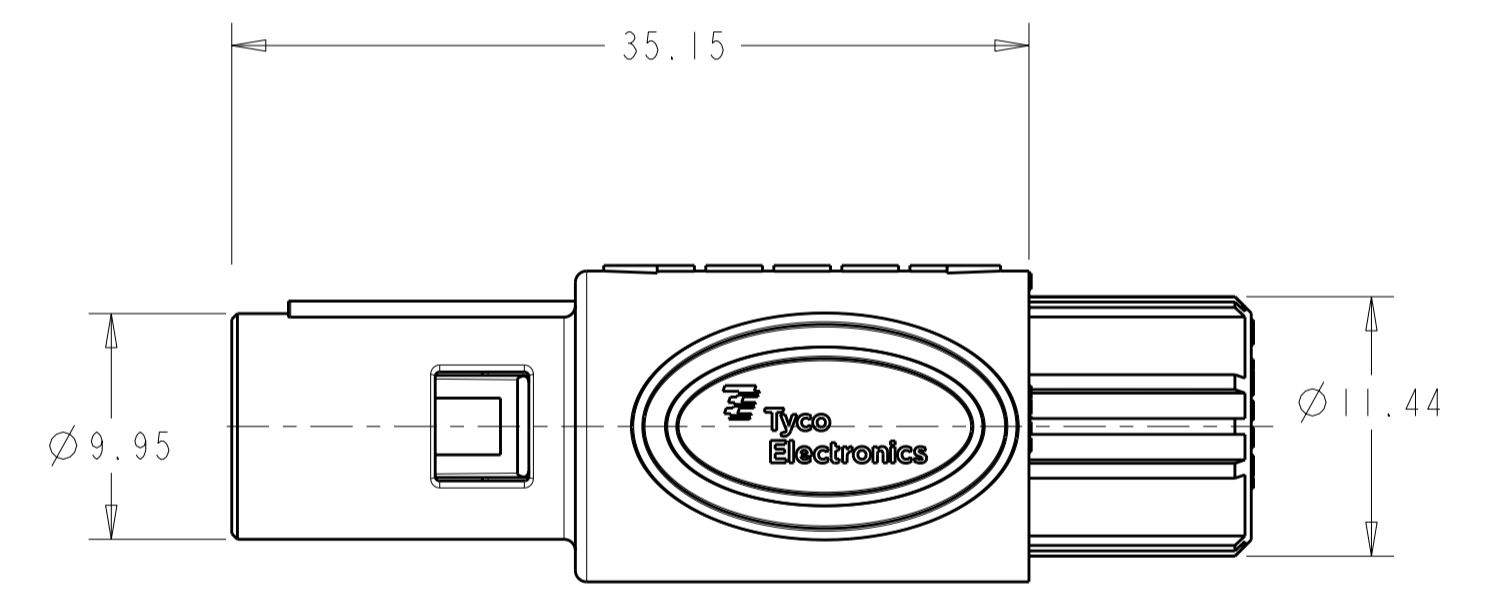
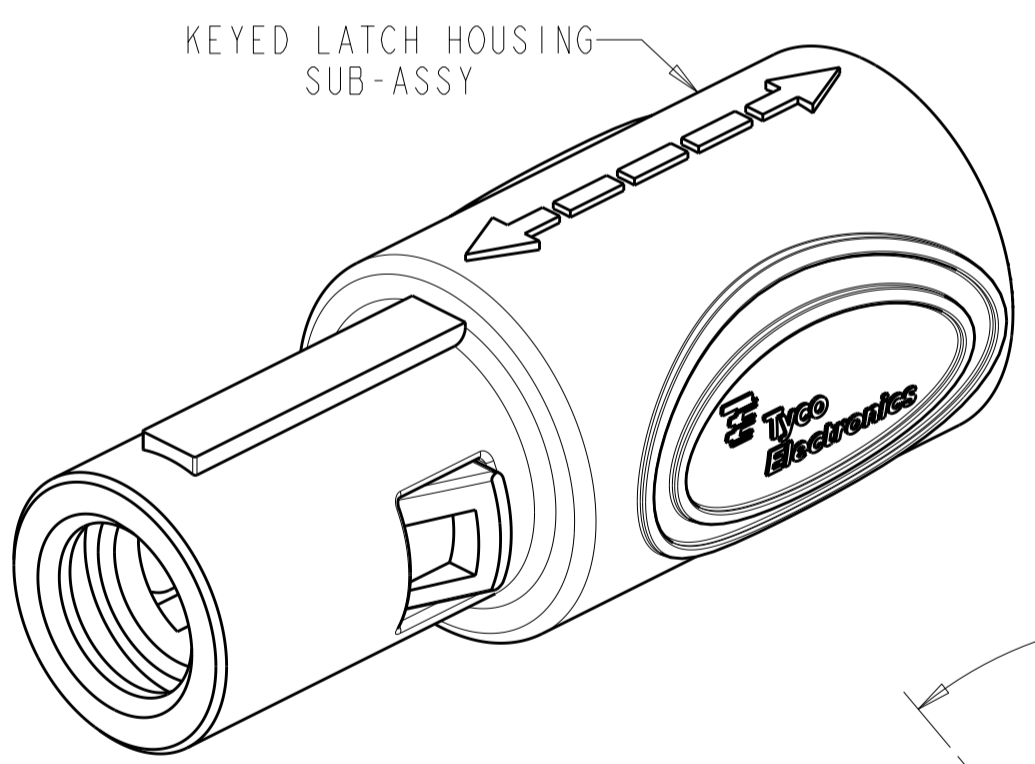
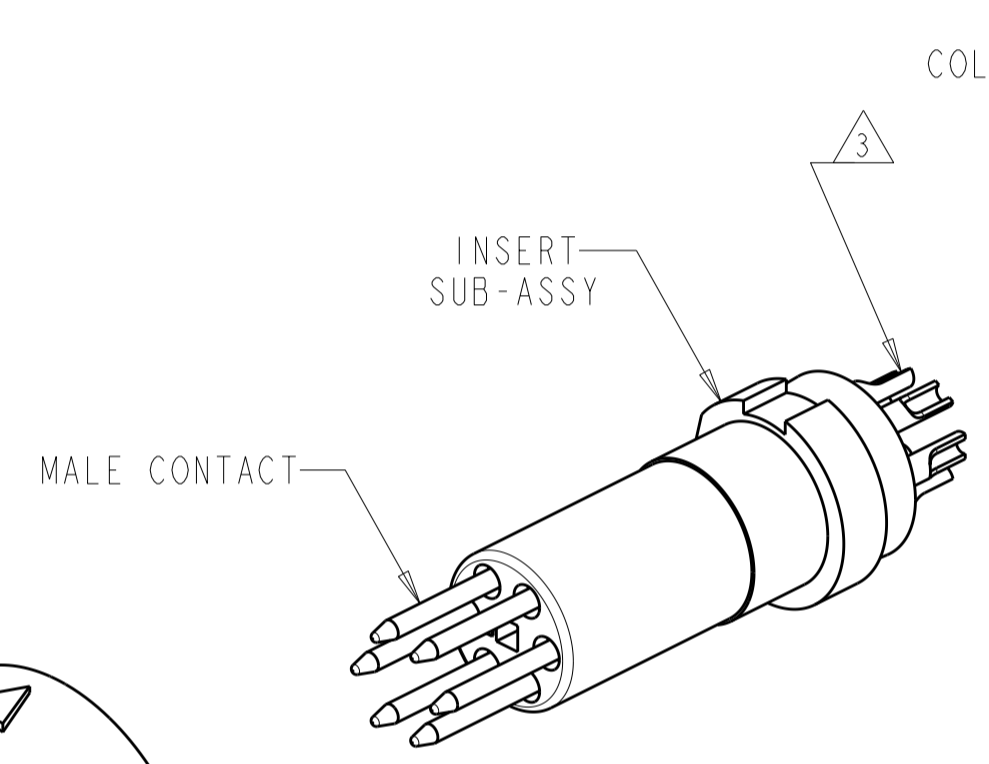
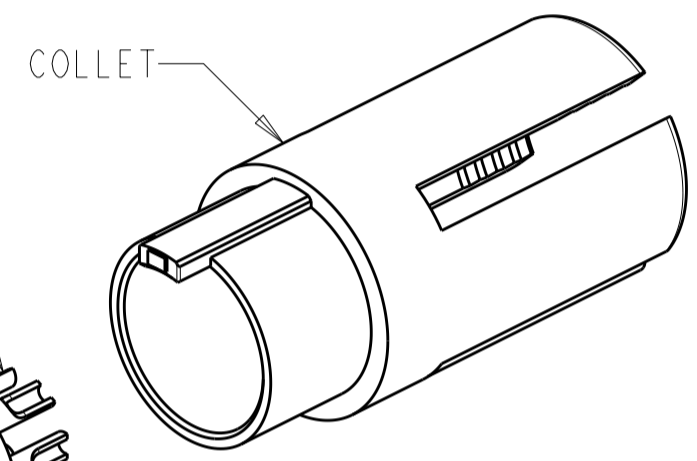
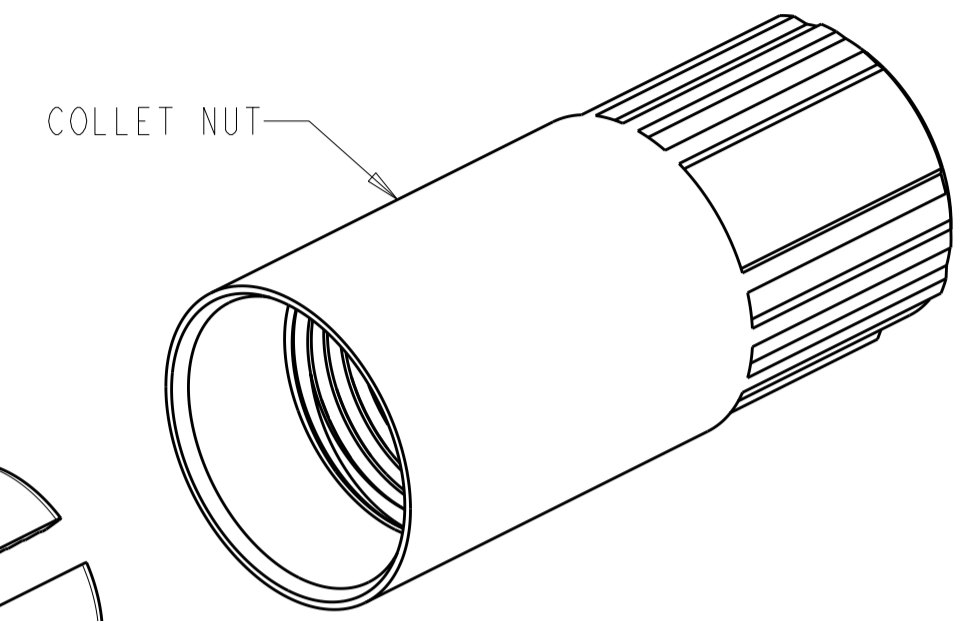


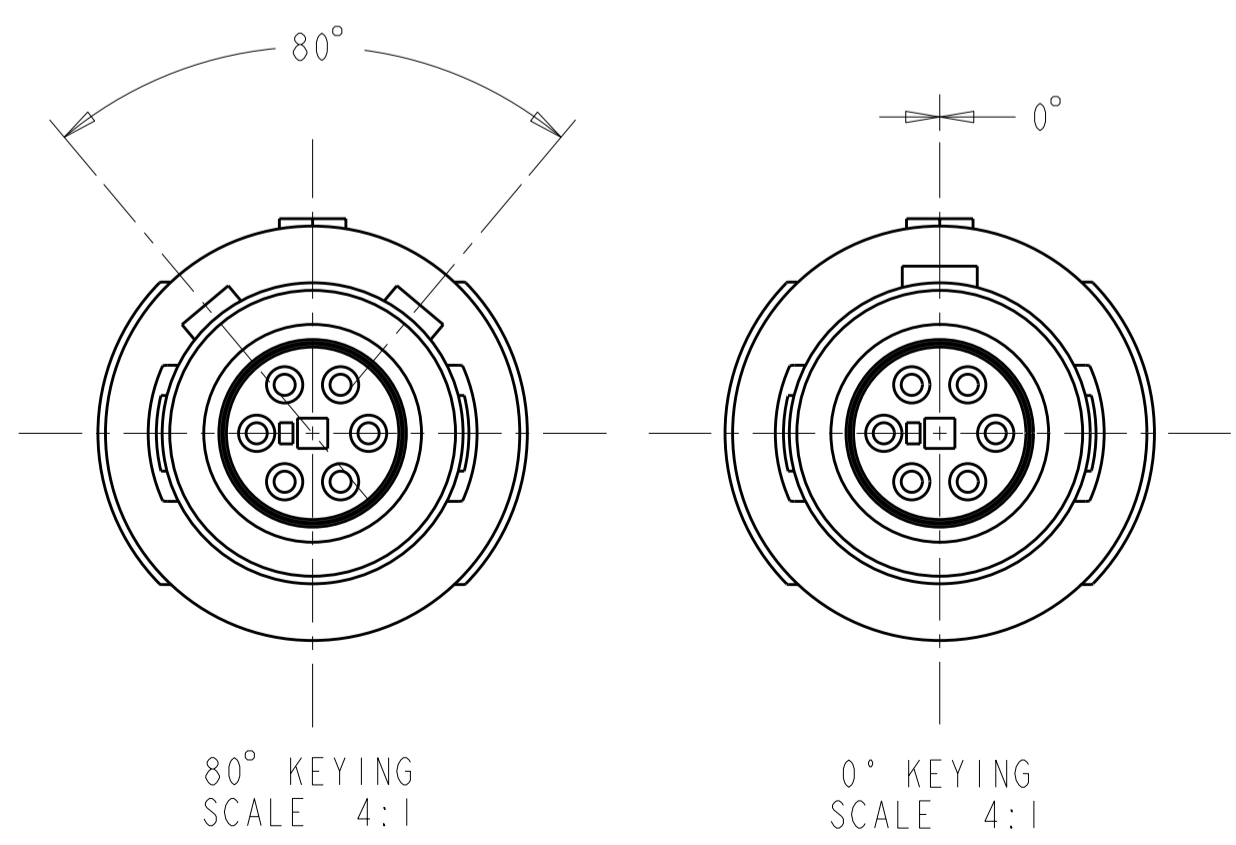
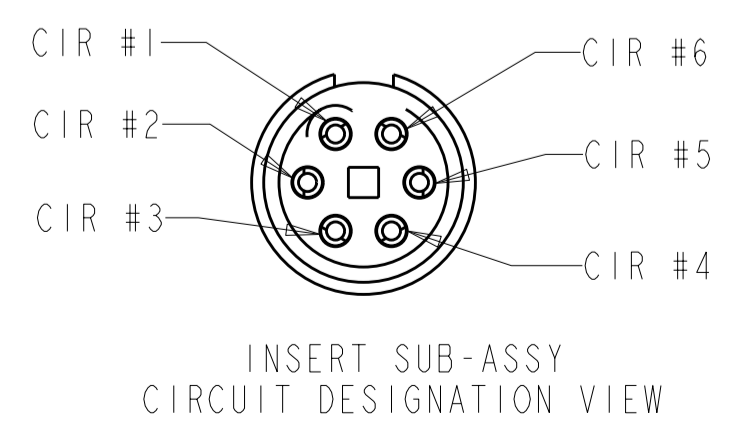
THIS DRAWING IS UNPUBLISHED. RELEASED FOR PUBLICATION 20
 © COPYRIGHT 20 BY - ALL RIGHTS RESERVED.

LOC	DIST	REVISIONS			
P	LTR	DESCRIPTION	DATE	DWN	APVD
AD	00	B3	REVISED PER ECO-11-005027	12MAR2011	RK HMR

- 1 MATERIAL:
 CONTACT: BRASS
 LATCH HOUSING, INSERT, COLLET, COLLET NUT:
 UL 94V-0 RATED THERMOPLASTIC
 COLOR:
 COLLET AND INSERT: GRAY
 LATCH HOUSING AND NUT: SEE TABLE
- 2 FINISH:
 CONTACT, 0.75µm MIN. GOLD OVER NICKEL
- 3 SOLDER TERMINATION CONTACT, 26 AWG WIRE MAX.
- 4. PRODUCT IS SUPPLIED UNASSEMBLED



SCALE 3:1



SEE SHEET 2 FOR PART NUMBER SELECTION

PART NO.

THIS DRAWING IS A CONTROLLED DOCUMENT.		DWN K. MILLER 09MAR2006	TE Connectivity
DIMENSIONS: mm		CHK L. BREKOSKY 09MAR2006	
TOLERANCES UNLESS OTHERWISE SPECIFIED:		APVD -	NAME
0 PLC ±		PRODUCT SPEC	6 POSITION CABLE COLLET
1 PLC ±0.13		APPLICATION SPEC	0 DEGREE AND 80 DEGREE KEYING
2 PLC ±0.08		114-13184	STRAIGHT PLUG ASSEMBLY
3 PLC ±		WEIGHT	SIZE CAGE CODE DRAWING NO
4 PLC ±		-	A2 00779 C-1877846
ANGLES ±1°		CUSTOMER DRAWING	RESTRICTED TO
FINISH		SCALE 4:1	SHEET 1 OF 3 REV B3

THIS DRAWING IS UNPUBLISHED. RELEASED FOR PUBLICATION 20
 © COPYRIGHT 20 BY - ALL RIGHTS RESERVED.


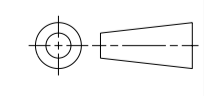
LOC	DIST	REVISIONS					
AD	00	P	LTR	DESCRIPTION	DATE	DWN	APVD
		-		SEE SHEET 1			

CABLE RANGE	COLLET NUT COLOR	LATCH HOUSING COLOR	KEYING	PART NO.
Ø 2.7-Ø 3.9	BLUE	GRAY	80°	7-1877846-2
Ø 4.0-Ø 5.2	BLUE	GRAY	80°	7-1877846-1
Ø 5.3-Ø 6.5	BLUE	GRAY	80°	7-1877846-0
Ø 2.7-Ø 3.9	BLUE	GRAY	0°	6-1877846-9
Ø 4.0-Ø 5.2	BLUE	GRAY	0°	6-1877846-8
Ø 5.3-Ø 6.5	BLUE	GRAY	0°	6-1877846-7
Ø 2.7-Ø 3.9	BLUE	BLACK	80°	6-1877846-6
Ø 4.0-Ø 5.2	BLUE	BLACK	80°	6-1877846-5
Ø 5.3-Ø 6.5	BLUE	BLACK	80°	6-1877846-4
Ø 2.7-Ø 3.9	BLUE	BLACK	0°	6-1877846-3
Ø 4.0-Ø 5.2	BLUE	BLACK	0°	6-1877846-2
Ø 5.3-Ø 6.5	BLUE	BLACK	0°	6-1877846-1
Ø 2.7-Ø 3.9	GREEN	GRAY	80°	6-1877846-0
Ø 4.0-Ø 5.2	GREEN	GRAY	80°	5-1877846-9
Ø 5.3-Ø 6.5	GREEN	GRAY	80°	5-1877846-8
Ø 2.7-Ø 3.9	GREEN	GRAY	0°	5-1877846-7
Ø 4.0-Ø 5.2	GREEN	GRAY	0°	5-1877846-6
Ø 5.3-Ø 6.5	GREEN	GRAY	0°	5-1877846-5
Ø 2.7-Ø 3.9	GREEN	BLACK	80°	5-1877846-4
Ø 4.0-Ø 5.2	GREEN	BLACK	80°	5-1877846-3
Ø 5.3-Ø 6.5	GREEN	BLACK	80°	5-1877846-2
Ø 2.7-Ø 3.9	GREEN	BLACK	0°	5-1877846-1
Ø 4.0-Ø 5.2	GREEN	BLACK	0°	5-1877846-0
Ø 5.3-Ø 6.5	GREEN	BLACK	0°	4-1877846-9
Ø 2.7-Ø 3.9	YELLOW	GRAY	80°	4-1877846-8
Ø 4.0-Ø 5.2	YELLOW	GRAY	80°	4-1877846-7
Ø 5.3-Ø 6.5	YELLOW	GRAY	80°	4-1877846-6
Ø 2.7-Ø 3.9	YELLOW	GRAY	0°	4-1877846-5
Ø 4.0-Ø 5.2	YELLOW	GRAY	0°	4-1877846-4
Ø 5.3-Ø 6.5	YELLOW	GRAY	0°	4-1877846-3
Ø 2.7-Ø 3.9	YELLOW	BLACK	80°	4-1877846-2
Ø 4.0-Ø 5.2	YELLOW	BLACK	80°	4-1877846-1
Ø 5.3-Ø 6.5	YELLOW	BLACK	80°	4-1877846-0
Ø 2.7-Ø 3.9	YELLOW	BLACK	0°	3-1877846-9
Ø 4.0-Ø 5.2	YELLOW	BLACK	0°	3-1877846-8
Ø 5.3-Ø 6.5	YELLOW	BLACK	0°	3-1877846-7

PART NUMBERS 37 THRU 72

CABLE RANGE	COLLET NUT COLOR	LATCH HOUSING COLOR	KEYING	PART NO.
Ø 2.7-Ø 3.9	WHITE	GRAY	80°	3-1877846-6
Ø 4.0-Ø 5.2	WHITE	GRAY	80°	3-1877846-5
Ø 5.3-Ø 6.5	WHITE	GRAY	80°	3-1877846-4
Ø 2.7-Ø 3.9	WHITE	GRAY	0°	3-1877846-3
Ø 4.0-Ø 5.2	WHITE	GRAY	0°	3-1877846-2
Ø 5.3-Ø 6.5	WHITE	GRAY	0°	3-1877846-1
Ø 2.7-Ø 3.9	WHITE	BLACK	80°	3-1877846-0
Ø 4.0-Ø 5.2	WHITE	BLACK	80°	2-1877846-9
Ø 5.3-Ø 6.5	WHITE	BLACK	80°	2-1877846-8
Ø 2.7-Ø 3.9	WHITE	BLACK	0°	2-1877846-7
Ø 4.0-Ø 5.2	WHITE	BLACK	0°	2-1877846-6
Ø 5.3-Ø 6.5	WHITE	BLACK	0°	2-1877846-5
Ø 2.7-Ø 3.9	RED	GRAY	80°	2-1877846-4
Ø 4.0-Ø 5.2	RED	GRAY	80°	2-1877846-3
Ø 5.3-Ø 6.5	RED	GRAY	80°	2-1877846-2
Ø 2.7-Ø 3.9	RED	GRAY	0°	2-1877846-1
Ø 4.0-Ø 5.2	RED	GRAY	0°	2-1877846-0
Ø 5.3-Ø 6.5	RED	GRAY	0°	1-1877846-9
Ø 2.7-Ø 3.9	RED	BLACK	80°	1-1877846-8
Ø 4.0-Ø 5.2	RED	BLACK	80°	1-1877846-7
Ø 5.3-Ø 6.5	RED	BLACK	80°	1-1877846-6
Ø 2.7-Ø 3.9	RED	BLACK	0°	1-1877846-5
Ø 4.0-Ø 5.2	RED	BLACK	0°	1-1877846-4
Ø 5.3-Ø 6.5	RED	BLACK	0°	1-1877846-3
Ø 2.7-Ø 3.9	GRAY	GRAY	80°	1-1877846-2
Ø 4.0-Ø 5.2	GRAY	GRAY	80°	1-1877846-1
Ø 5.3-Ø 6.5	GRAY	GRAY	80°	1-1877846-0
Ø 2.7-Ø 3.9	GRAY	GRAY	0°	1877846-9
Ø 4.0-Ø 5.2	GRAY	GRAY	0°	1877846-8
Ø 5.3-Ø 6.5	GRAY	GRAY	0°	1877846-7
Ø 2.7-Ø 3.9	BLACK	BLACK	80°	1877846-6
Ø 4.0-Ø 5.2	BLACK	BLACK	80°	1877846-5
Ø 5.3-Ø 6.5	BLACK	BLACK	80°	1877846-4
Ø 2.7-Ø 3.9	BLACK	BLACK	0°	1877846-3
Ø 4.0-Ø 5.2	BLACK	BLACK	0°	1877846-2
Ø 5.3-Ø 6.5	BLACK	BLACK	0°	1877846-1

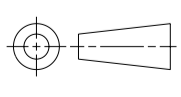
PART NUMBERS 1 THRU 36

THIS DRAWING IS A CONTROLLED DOCUMENT.		DWN K. MILLER 09MAR2006	 TE Connectivity		
		CHK L. BREKOSKY 09MAR2006			
DIMENSIONS: mm		TOLERANCES UNLESS OTHERWISE SPECIFIED: 0 PLC ± 1 PLC ±0.13 2 PLC ±0.08 3 PLC ± 4 PLC ± ANGLES ±1° FINISH		NAME 6 POSITION CABLE COLLET 0 DEGREE AND 80 DEGREE KEYING STRAIGHT PLUG ASSEMBLY	
		PRODUCT SPEC 108-2249		SIZE A2	
MATERIAL -		APPLICATION SPEC 114-13184		CAGE CODE 00779	
		WEIGHT -		DRAWING NO 1877846	
		CUSTOMER DRAWING		RESTRICTED TO -	
		SCALE 4:1		SHEET 2 OF 3 REV B3	

THIS DRAWING IS UNPUBLISHED. RELEASED FOR PUBLICATION 20
 © COPYRIGHT 20 BY ALL RIGHTS RESERVED.

LOC	DIST	REVISIONS					
		P	LTR	DESCRIPTION	DATE	DWN	APVD
AD	00	-		SEE SHEET 1			

Ø 2.7-Ø 3.9	BLACK	GRAY	80°	8-1877846-4
Ø 4.0-Ø 5.2	BLACK	GRAY	80°	8-1877846-3
Ø 5.3-Ø 6.5	BLACK	GRAY	80°	8-1877846-2
Ø 2.7-Ø 3.9	BLACK	GRAY	0°	8-1877846-1
Ø 4.0-Ø 5.2	BLACK	GRAY	0°	8-1877846-0
Ø 5.3-Ø 6.5	BLACK	GRAY	0°	7-1877846-9
Ø 2.7-Ø 3.9	GRAY	BLACK	80°	7-1877846-8
Ø 4.0-Ø 5.2	GRAY	BLACK	80°	7-1877846-7
Ø 5.3-Ø 6.5	GRAY	BLACK	80°	7-1877846-6
Ø 2.7-Ø 3.9	GRAY	BLACK	0°	7-1877846-5
Ø 4.0-Ø 5.2	GRAY	BLACK	0°	7-1877846-4
Ø 5.3-Ø 6.5	GRAY	BLACK	0°	7-1877846-3
CABLE RANGE	BACK-NUT COLOR	LATCH HOUSING COLOR	KEYING	PART NO.
PART NUMBERS 73 THRU 84				

DIMENSIONS:		TOLERANCES UNLESS OTHERWISE SPECIFIED:		DWN		CHK		APVD		NAME	
mm		0 PLC	±	K. MILLER 09MAR2006		L. BREKOSKY 09MAR2006		-		6 POSITION CABLE COLLET 0 DEGREE AND 80 DEGREE KEYING STRAIGHT PLUG ASSEMBLY	
		1 PLC	±0.13	PRODUCT SPEC		108-2249		-		SIZE	
		2 PLC	±0.08	APPLICATION SPEC		114-13184		-		CAGE CODE	
		3 PLC	±	WEIGHT		-		-		DRAWING NO	
		4 PLC	±	CUSTOMER DRAWING		-		-		RESTRICTED TO	
		ANGLES	±1°					A2		00779	
		FINISH						C		1877846	
								SCALE		SHEET	
								4:1		3 OF 3	
										REV B.3	

单击下面可查看定价，库存，交付和生命周期等信息

[>>TE Connectivity\(泰科\)](#)