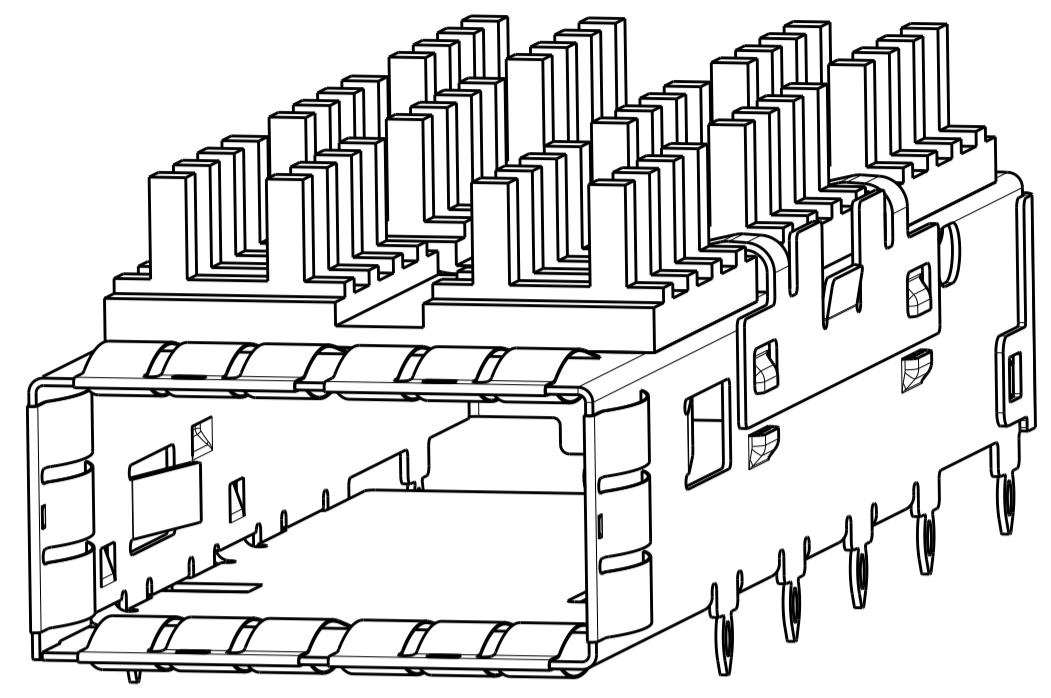
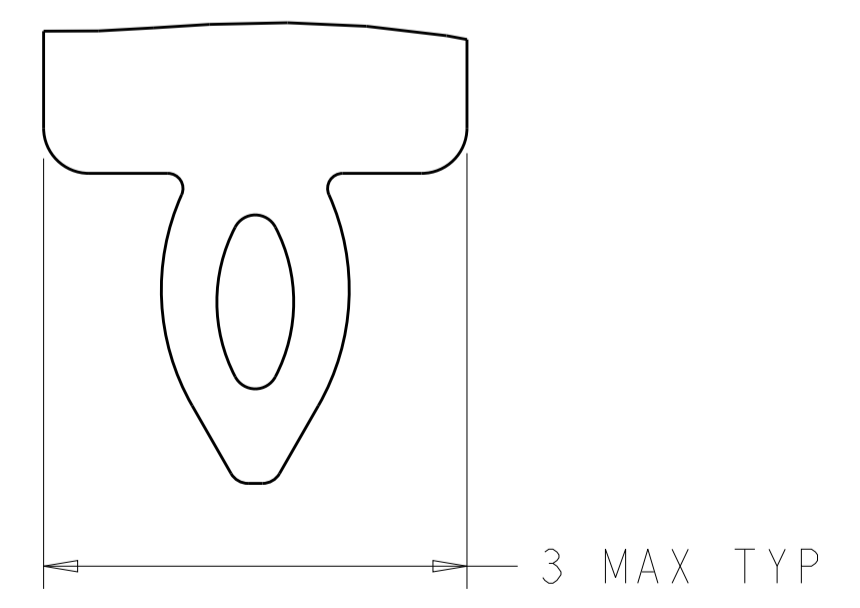
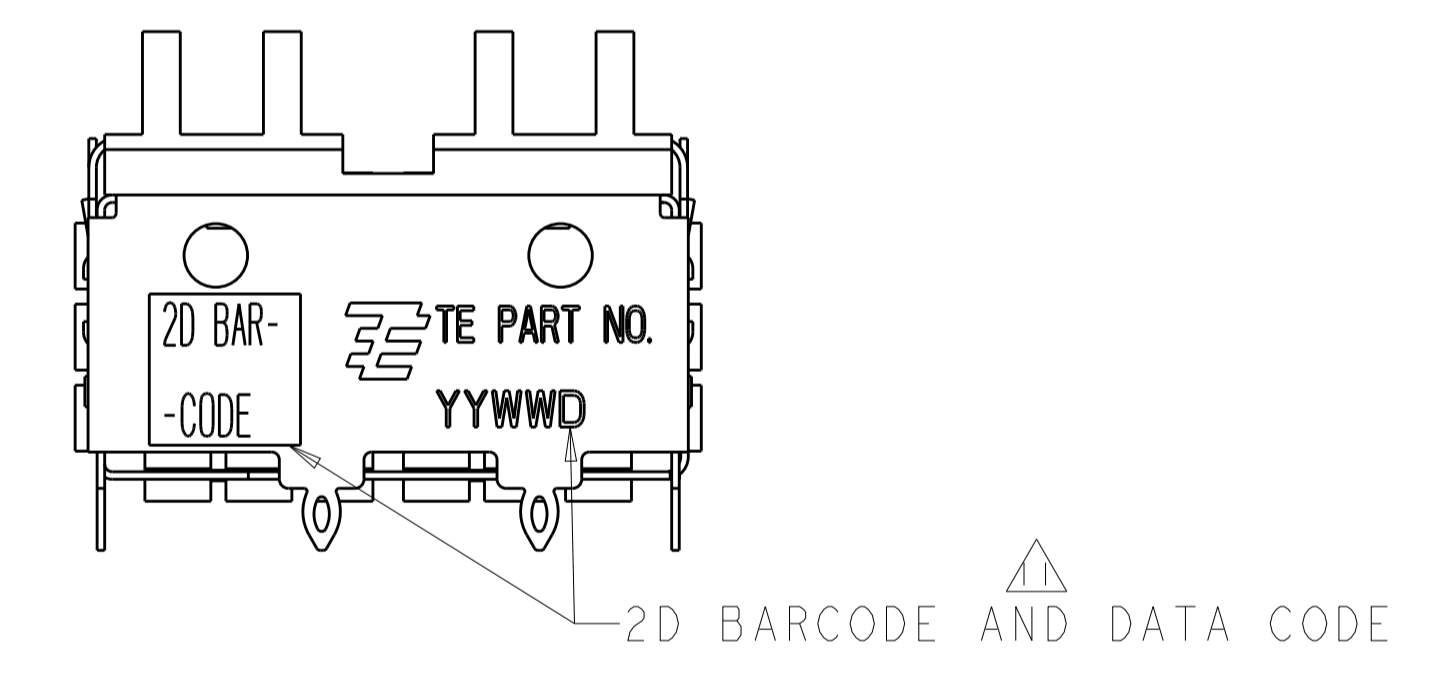
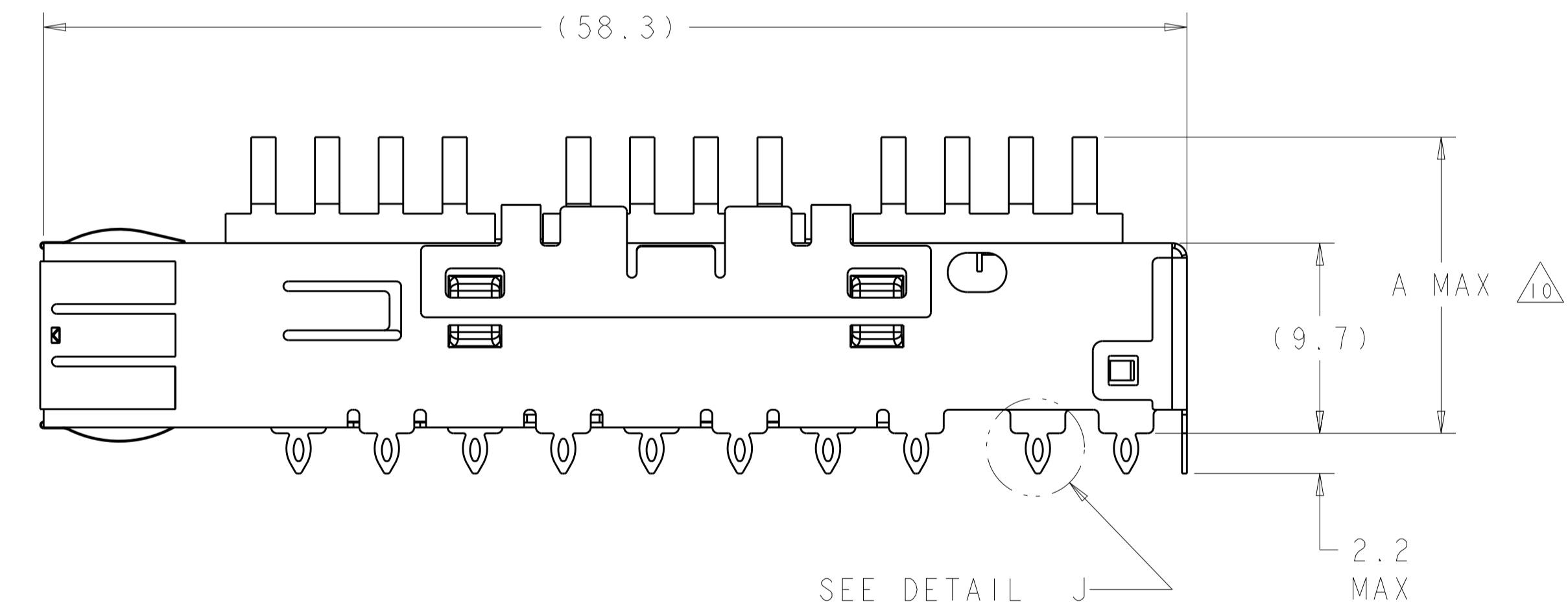
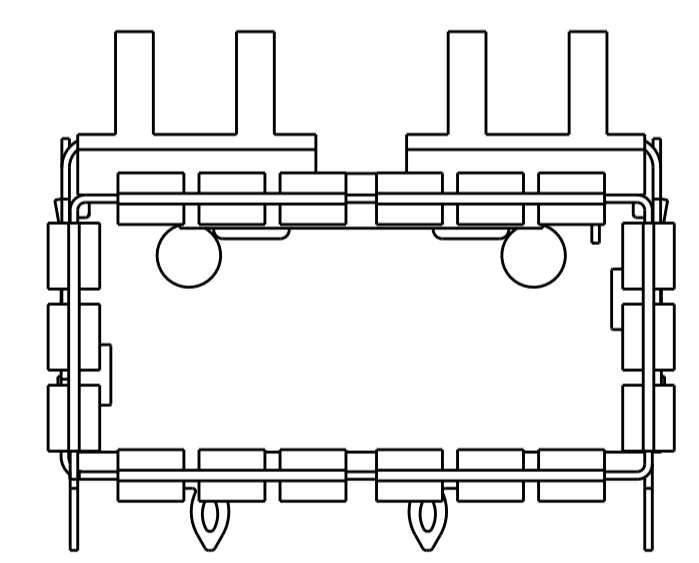
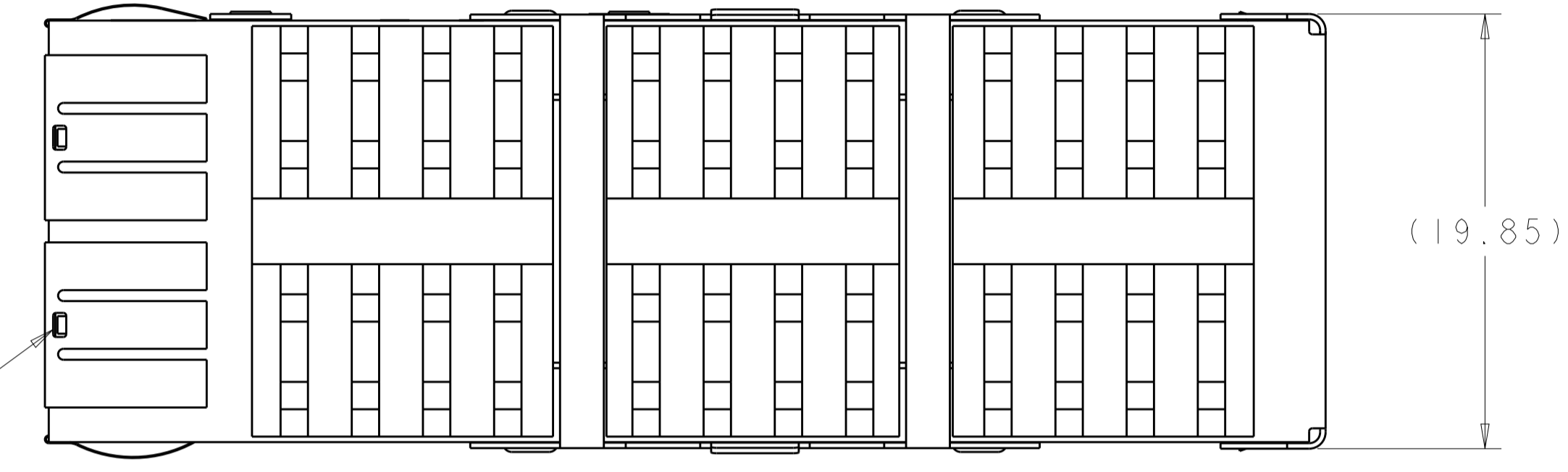


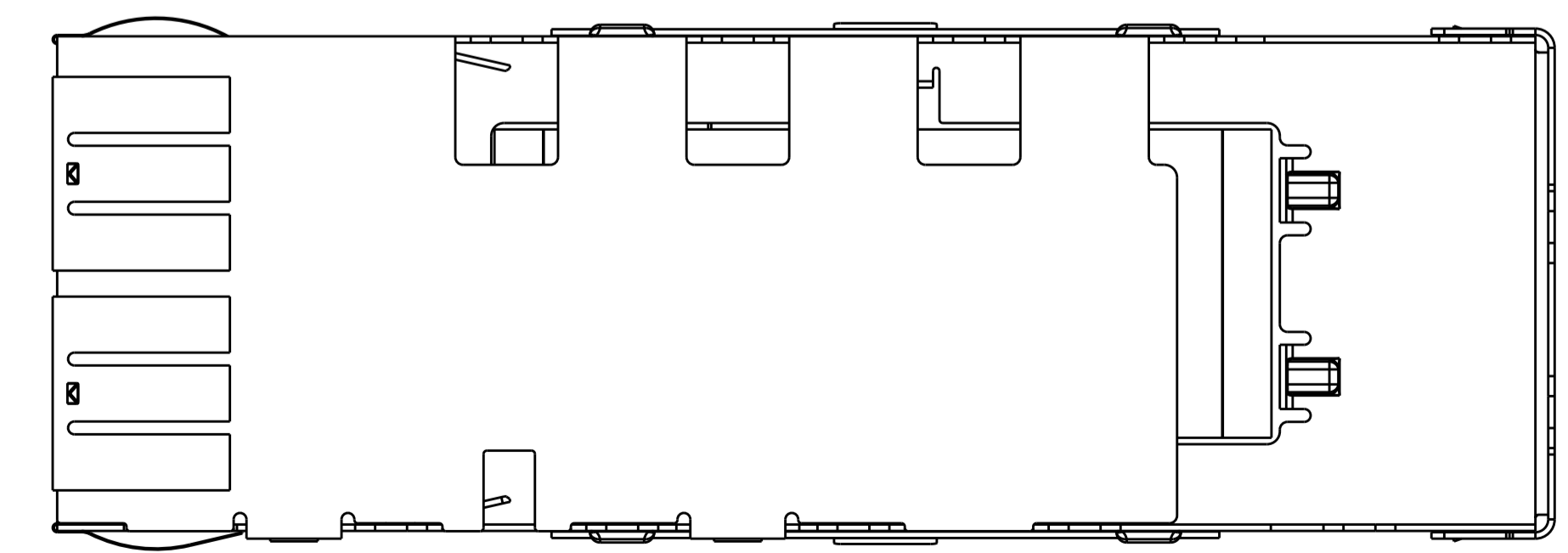
REVISIONS				
REV	DATE	DESCRIPTION	BY	CHK
B1	16MAY2014	REVISE PER ECO-14-006734	RG	MC
C	16JUNE2014	REVISE PER ECO-14-009898	RG	MC
D	24MAR2015	REVISE PER ECO-14-017735	RG	MC
D1	20AUG2015	REVISED PER ECO-15-012094	RG	SH



Sn42Bi58 SOLDER
6 PLACES



DETAIL J
SCALE 20:1

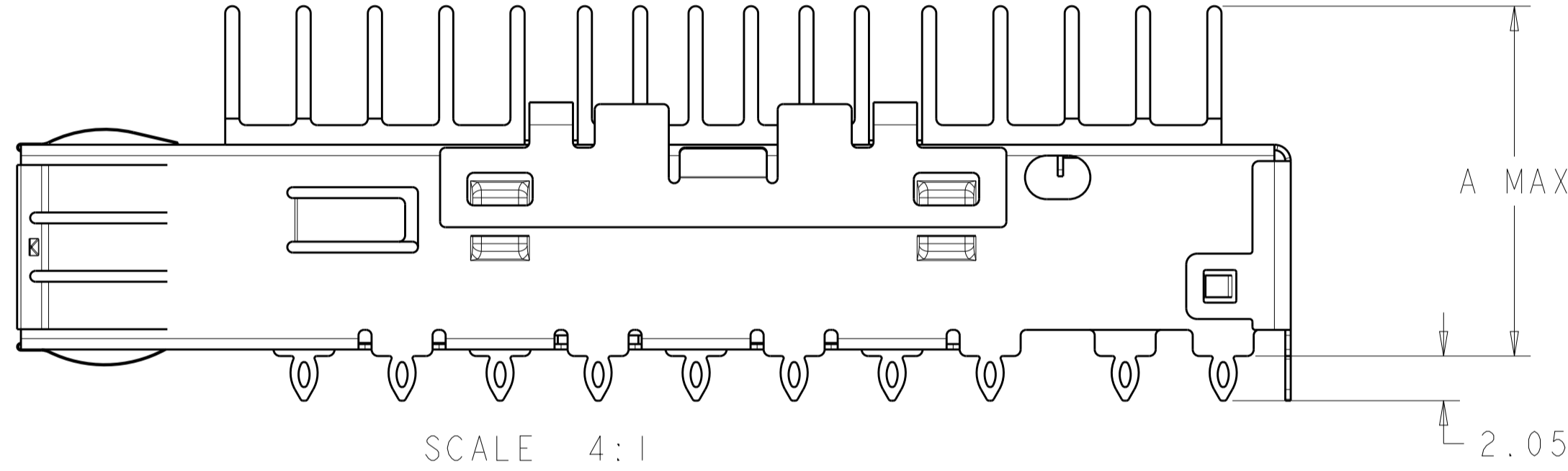
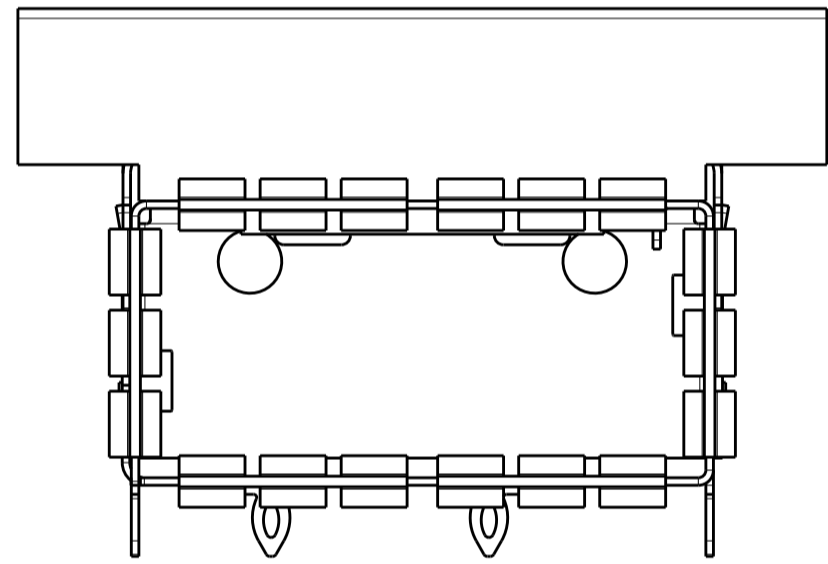
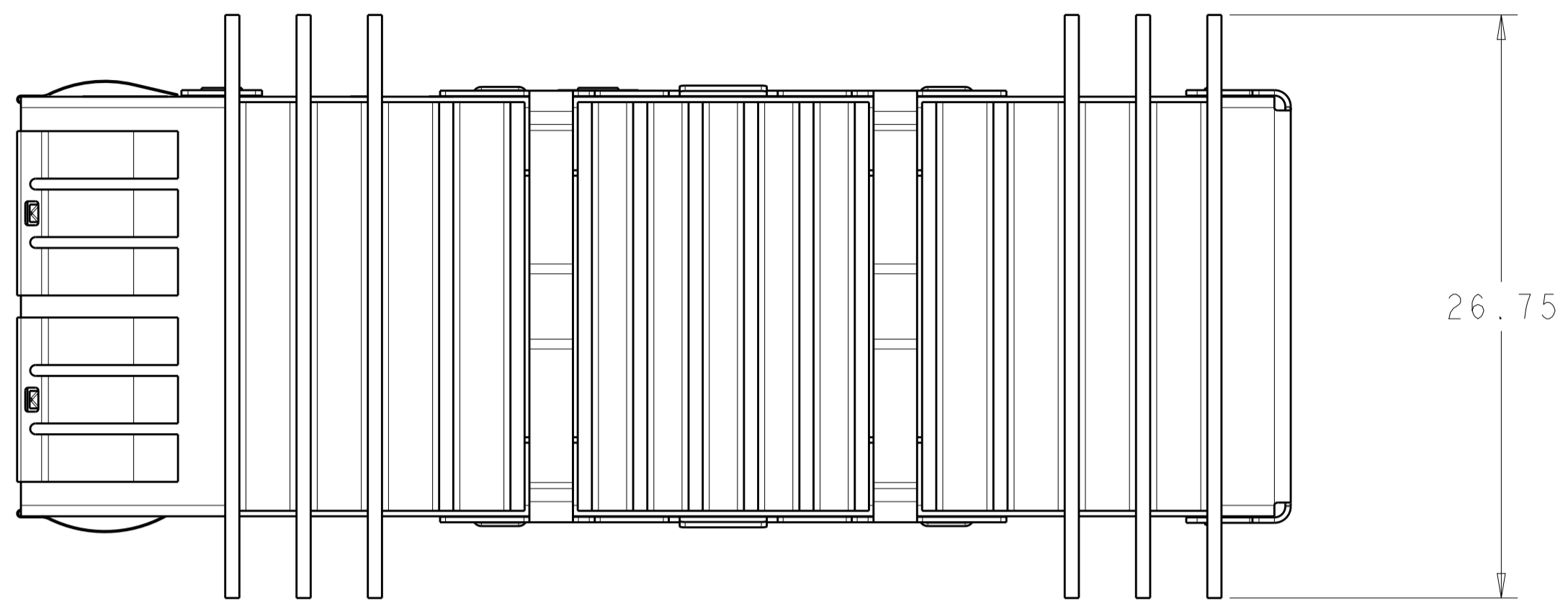


- 1. CAGE MATERIAL: NICKEL SILVER, 0.25 THICK
 HEAT SINK MATERIAL: ALUMINUM
 HEAT SINK CLIP MATERIAL: STAINLESS STEEL
 EMI SPRINGS MATERIAL: COPPER ALLOY
- 2. MINIMUM PITCH DIMENSION.
- 3. MATES WITH QSFP MSA COMPATIBLE TRANSCEIVER.
- 4. REFERENCE APPLICATION SPEC 114-13217 FOR RECOMMENDED DRILL HOLE DIAMETER AND PLATING THICKNESS.
- 5. DATUMS AND BASIC DIMENSIONS ESTABLISHED BY CUSTOMER.
- 6. MINIMUM PC BOARD THICKNESS:
 SINGLE SIDED = 1.45mm (shown, pg. 4)
 DOUBLE SIDED = 2.2mm
- 7. HEATSINK AND CLIP SHIPPED ASSEMBLED TO CAGE ASSEMBLY. CAGE ASSEMBLY MAY BE PRESSED INTO THE PCB AS SHIPPED.
- 8. DATUM -A- IS TOP SURFACE OF HOST BOARD.
- 9. SURFACE TRACES PERMITTED WITHIN THIS AREA EXCEPT WHERE CAGE STANDOFFS, SHOWN IN DETAIL J, CONTACT PC BOARD.
- 10. DIMENSION APPLIES WITH MODULE INSTALLED IN THE CAGE.
- 11. 2D BARCODE AND DATE CODE (YYWW) MARKED ON BACK OF CAGE.
- 12. SPRING FINISH: 0.8µm MIN TIN OVER 0.8µm MIN NICKEL. NON-PLATED EDGES PERMISSIBLE.
 HEAT SINK FINISH: 0.076 µm MIN NICKEL OR BLACK ANODIZED.
- 13. PRODUCT HAS NOT COMPLETED QUALIFICATION TESTING.

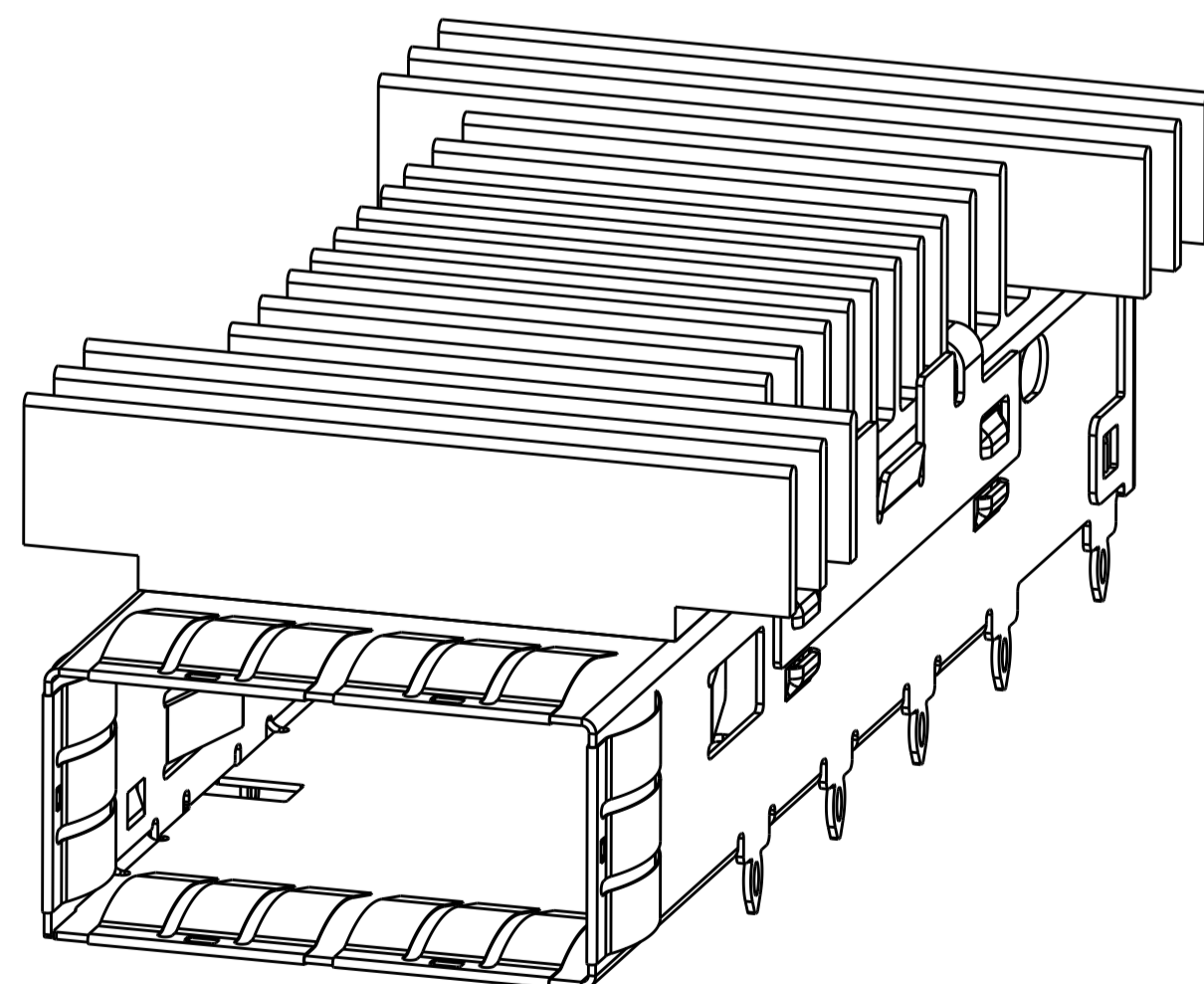
A	DESCRIPTION	PART NUMBER
23.0	NETWORKING HEAT SINK	1888631-3
16.0	SAN HEAT SINK (SHOWN)	1888631-2
13.7	PCI HEAT SINK	1888631-1

THIS DRAWING IS A CONTROLLED DOCUMENT.		OWN: B. MCMASTER	OTSEP06	STE TE Connectivity
DIMENSIONS: mm		CHK: E. J. BRIGHT	OTSEP06	
TOLERANCES UNLESS OTHERWISE SPECIFIED:		APP'D: E. J. BRIGHT	OTSEP06	
0 PLC ±0.25		NAME: CAGE ASSEMBLY, THRU BEZEL, QSFP, WITH HEAT SINK		
1 PLC ±0.13		PRODUCT SPEC: 108-2286		
2 PLC ±0.13		APPLICATION SPEC: 114-13217		
3 PLC ±0.13		SIZE: A100779		
4 PLC ±0.13		CAGE CODE: C=1888631		
ANGLES ±0.13		WEIGHT: -		
FINISH: 12		CUSTOMER DRAWING		
MATERIAL: 1		SCALE: 4:1		
		SHEET 1 OF 6		
		REV D1		

REVISIONS				
P.	LTN	DESCRIPTION	DATE	APVD
-	-	SEE SHEET 1	-	-



SCALE 4:1

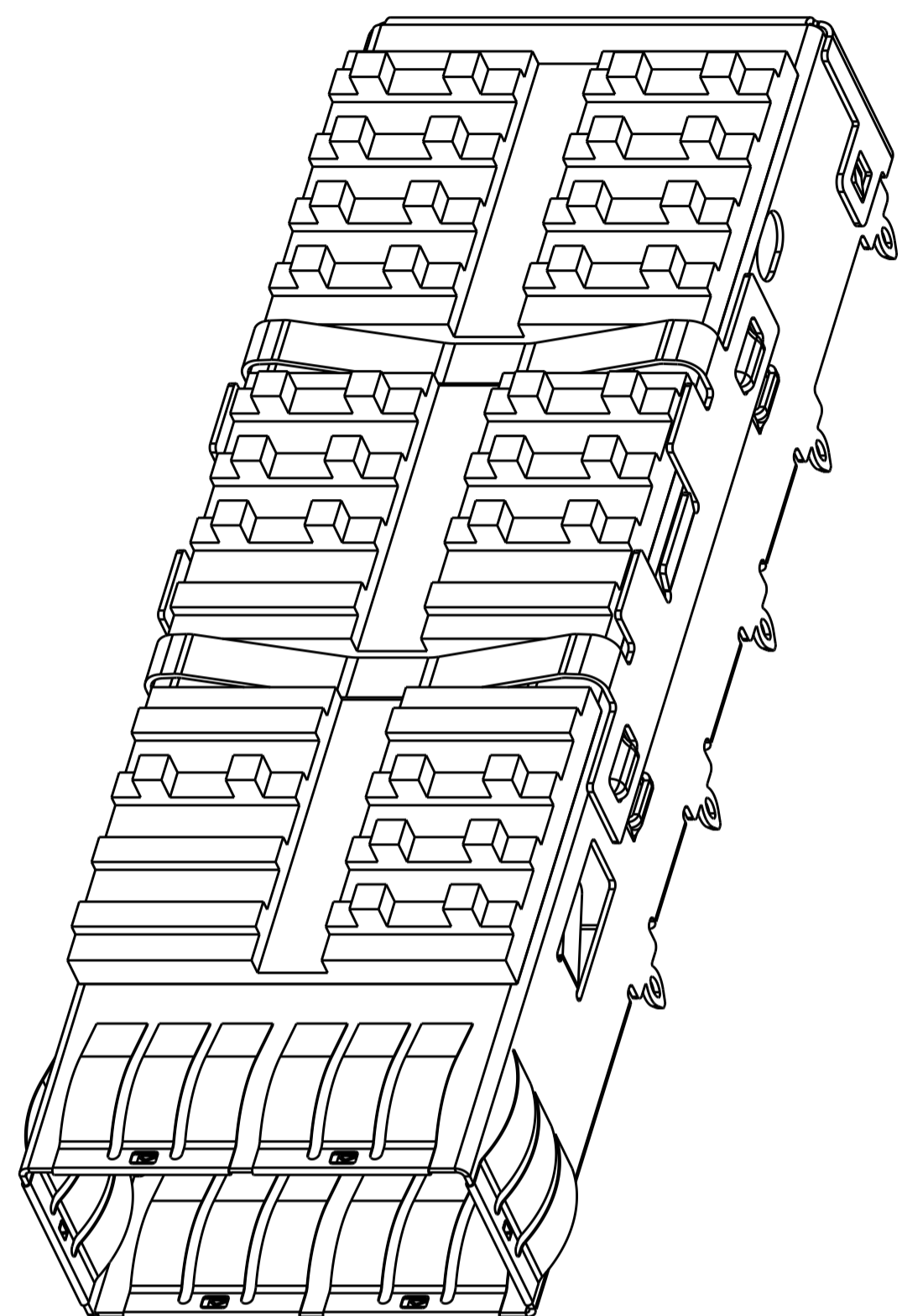


1888631-4 AS SHOWN
SCALE 4:1

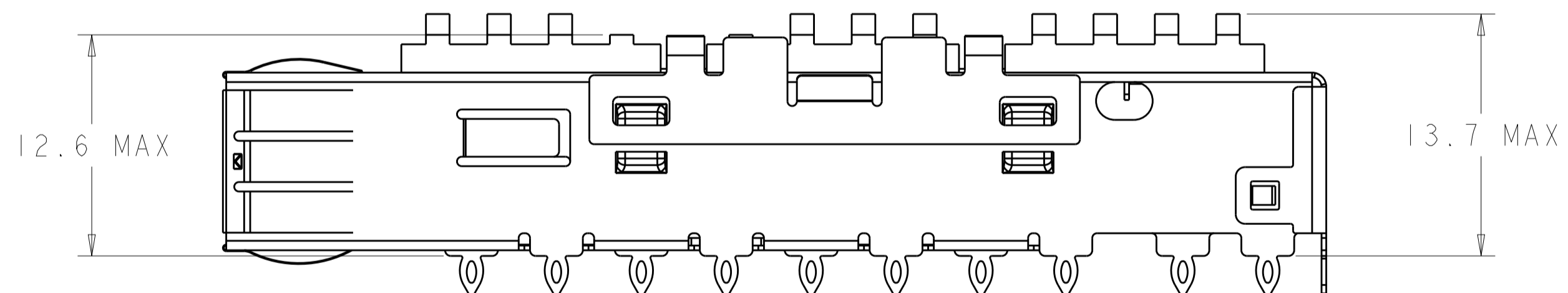
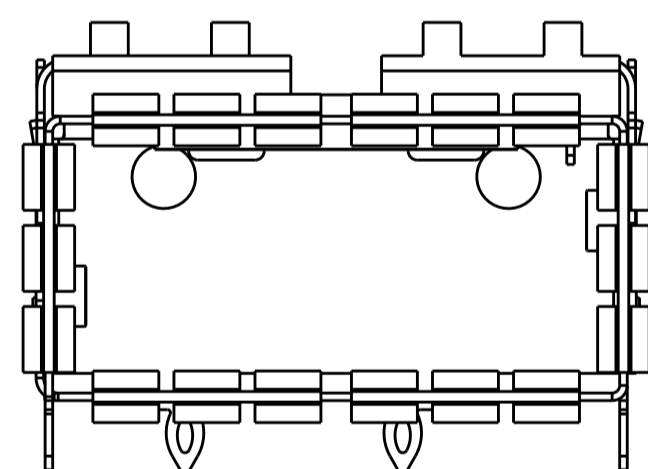
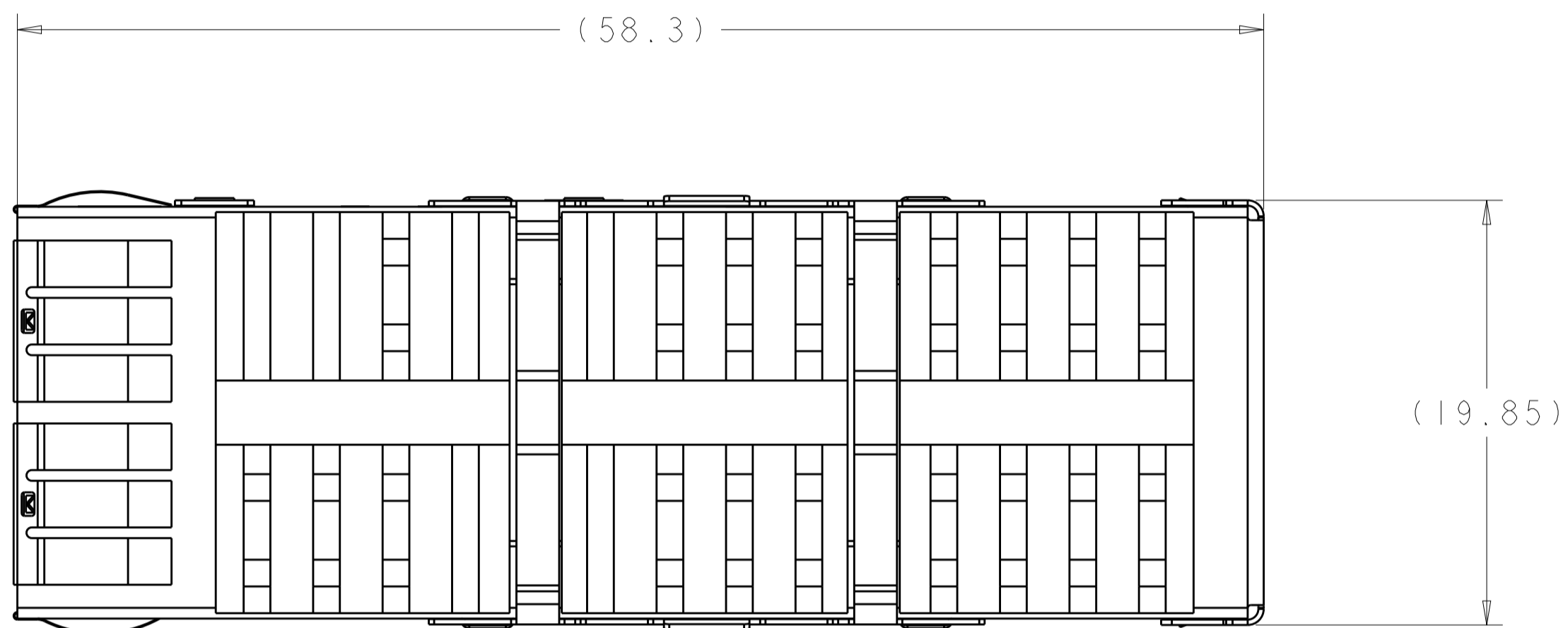
16.96	CUSTOMIZED HEAT SINK	1888631-4
A	DESCRIPTION	PART NUMBER

THIS DRAWING IS A CONTROLLED DOCUMENT.		DWN B. MCMASTER OTSEP06 CHK E. J. BRIGHT OTSEP06 APVD E. J. BRIGHT OTSEP06	TE Connectivity NAME CAGE ASSEMBLY, THRU BEZEL, OSFP, WITH HEAT SINK
DIMENSIONS: mm 	TOLERANCES UNLESS OTHERWISE SPECIFIED: 0 PLC ± 1 PLC ±0.25 2 PLC ±0.13 3 PLC ± 4 PLC ± ANGLES ± FINISH	PRODUCT SPEC 108-2286 APPLICATION SPEC 114-13217 WEIGHT - CUSTOMER DRAWING	
		SCALE 4:1	SHEET 2 OF 6 REV D1

REVISIONS				
P.	LTN	DESCRIPTION	DATE	APVD
-	-	SEE SHEET 1	-	-



SCALE 4:1



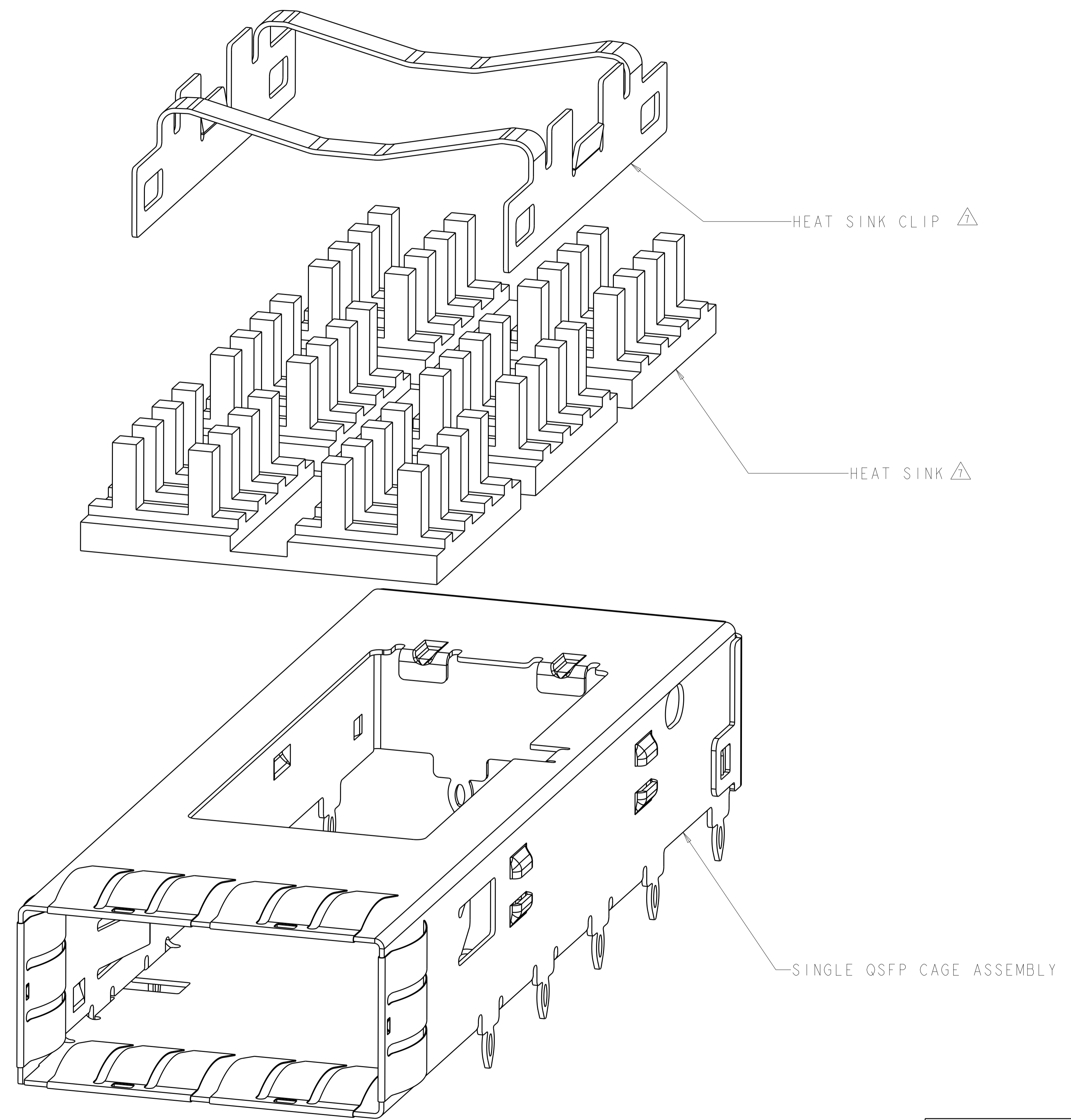
SCALE 4:1

UNSPECIFIED DIMENSIONS REFER 1888631-1


CUSTOMIZED HEAT SINK	1888631-5
DESCRIPTION	PART NUMBER

THIS DRAWING IS A CONTROLLED DOCUMENT.		DWN B. MCMASTER OTSEP06 CHK E. J. BRIGHT OTSEP06 APVD E. J. BRIGHT OTSEP06	TE Connectivity NAME CAGE ASSEMBLY, THRU BEZEL, OSFP, WITH HEAT SINK
DIMENSIONS: mm 	TOLERANCES UNLESS OTHERWISE SPECIFIED: 0 PLC ± 1 PLC ±0.25 2 PLC ±0.13 3 PLC ± 4 PLC ± ANGLES ± FINISH	PRODUCT SPEC 108-2286 APPLICATION SPEC 114-13217 WEIGHT CUSTOMER DRAWING	
MATERIAL		SIZE CAGE CODE DRAWING NO	RESTRICTED TO
-		A100779C=1888631	-
		SCALE 4:1	SHEET 3 OF 6 REV D1

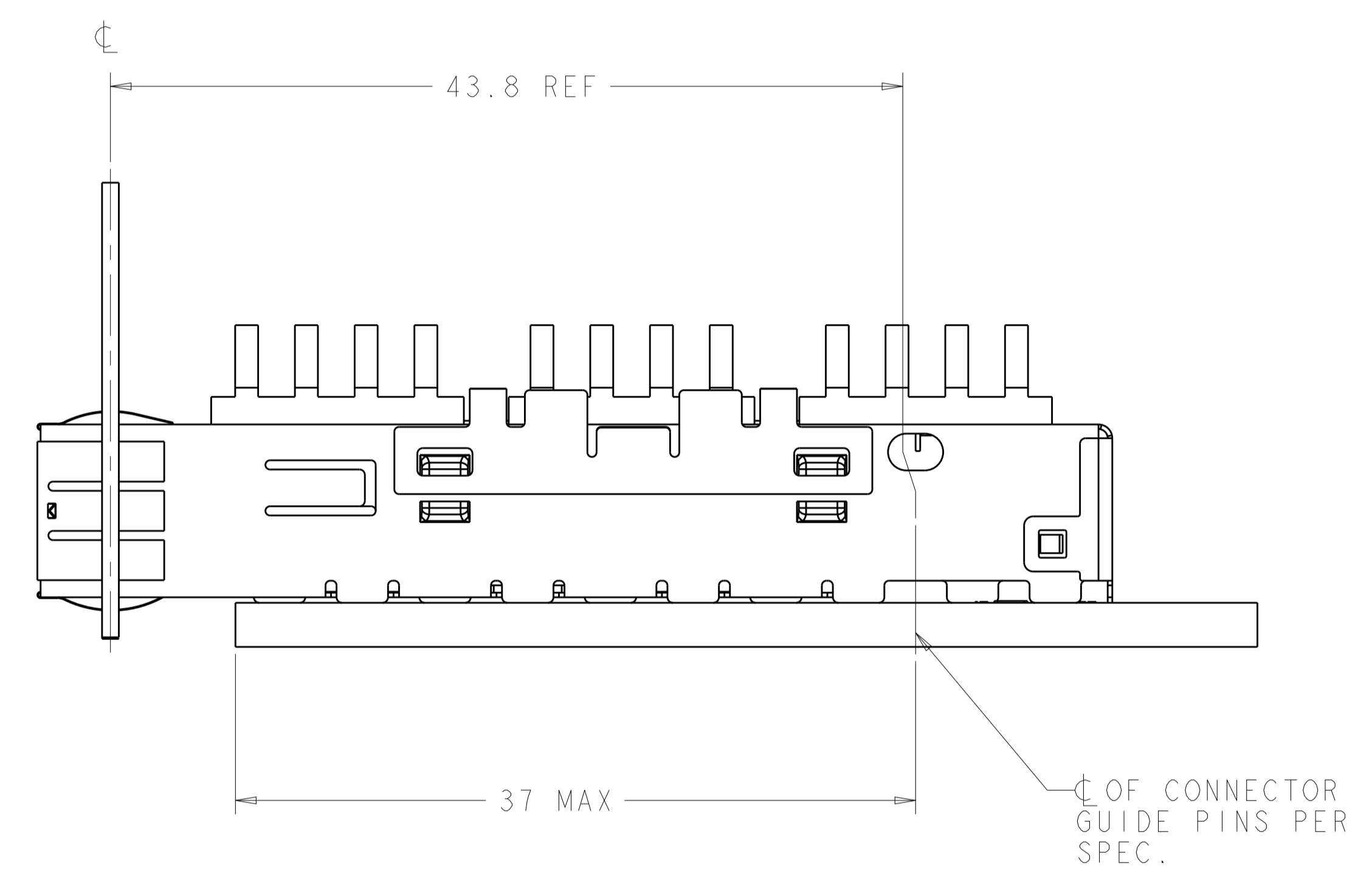
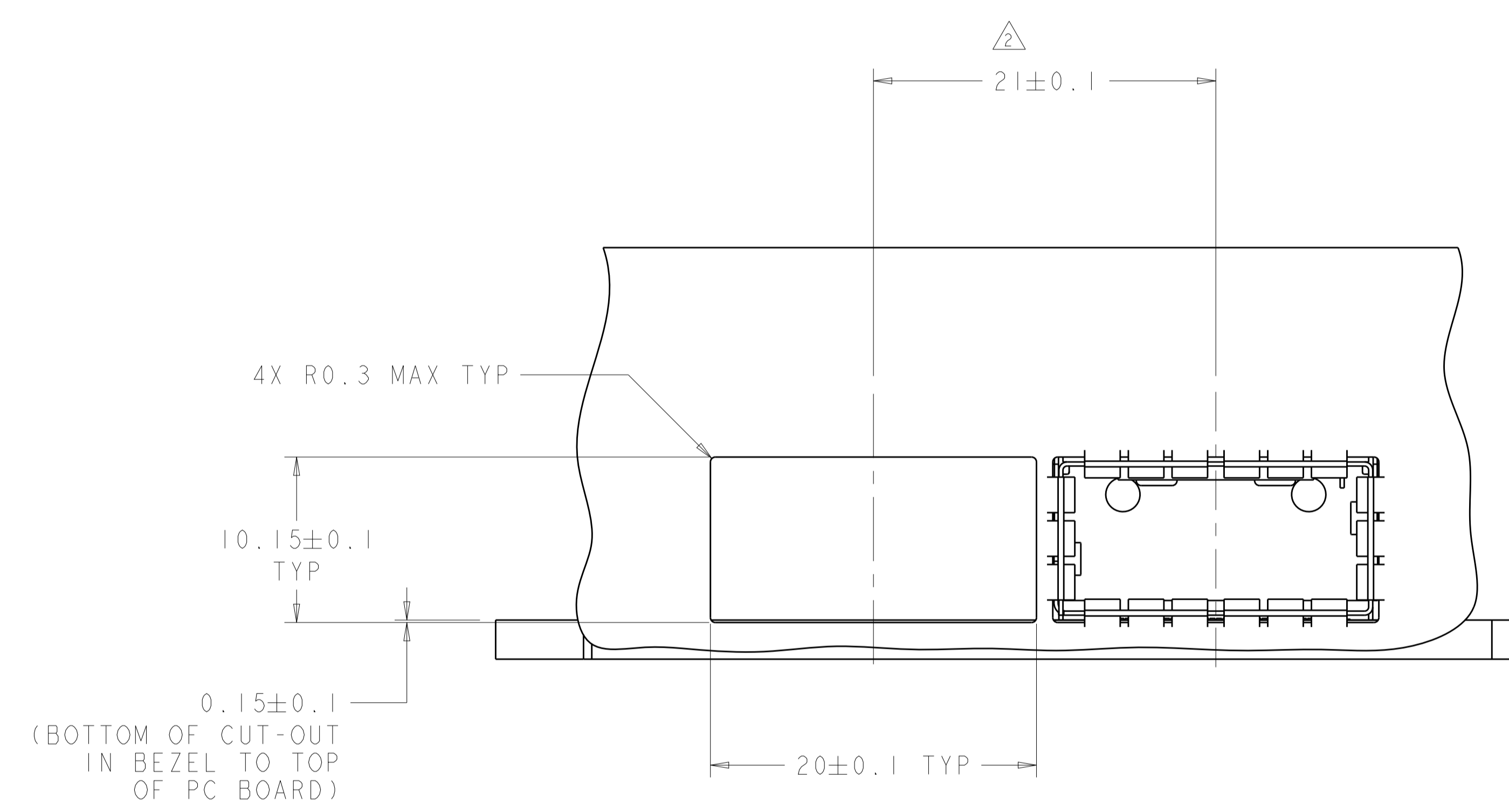
REVISIONS				
P.	LTN	DESCRIPTION	DATE	APVD
-	-	SEE SHEET 1	-	-



EXPLODED ASSEMBLY
SCALE 8:1

THIS DRAWING IS A CONTROLLED DOCUMENT.		DWN B. MCMASTER	OTSEP06	 TE Connectivity
DIMENSIONS: mm		CHK E. J. BRIGHT	OTSEP06	
TOLERANCES UNLESS OTHERWISE SPECIFIED:		APVD E. J. BRIGHT	OTSEP06	NAME CAGE ASSEMBLY, THRU BEZEL, QSPF, WITH HEAT SINK
0 PLC	±	PRODUCT SPEC		SIZE A1
1 PLC	±0.25	108-2286		CAGE CODE 00779
2 PLC	±0.13	APPLICATION SPEC		DRAWING NO C=1888631
3 PLC	±	114-13217		RESTRICTED TO
4 PLC	±	WEIGHT		SCALE 4:1
ANGLES	±	CUSTOMER DRAWING		SHEET 4 OF 6
MATERIAL	FINISH	SCALE		REV D1

REVISIONS				
P.	LTN	DESCRIPTION	DATE	APVD
-	-	SEE SHEET 1	-	-



THIS DRAWING IS A CONTROLLED DOCUMENT.		DWN: B. MCMASTER OTSEP06 CHK: E. J. BRIGHT OTSEP06 APVD: E. J. BRIGHT OTSEP06	
DIMENSIONS: mm	TOLERANCES UNLESS OTHERWISE SPECIFIED: 0 PLC ± 1 PLC ±0.25 2 PLC ±0.13 3 PLC ± 4 PLC ± ANGLES ±	NAME: CAGE ASSEMBLY, THRU BEZEL, OSFP, WITH HEAT SINK PRODUCT SPEC: 108-2286 APPLICATION SPEC: 114-13217	
MATERIAL:	FINISH:	WEIGHT: CUSTOMER DRAWING	SIZE: A100779 CAGE CODE: C=1888631 SCALE: 4:1 SHEET: 5 OF 6 REV: D1

单击下面可查看定价，库存，交付和生命周期等信息

[>>TE Connectivity\(泰科\)](#)