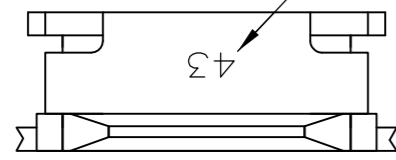


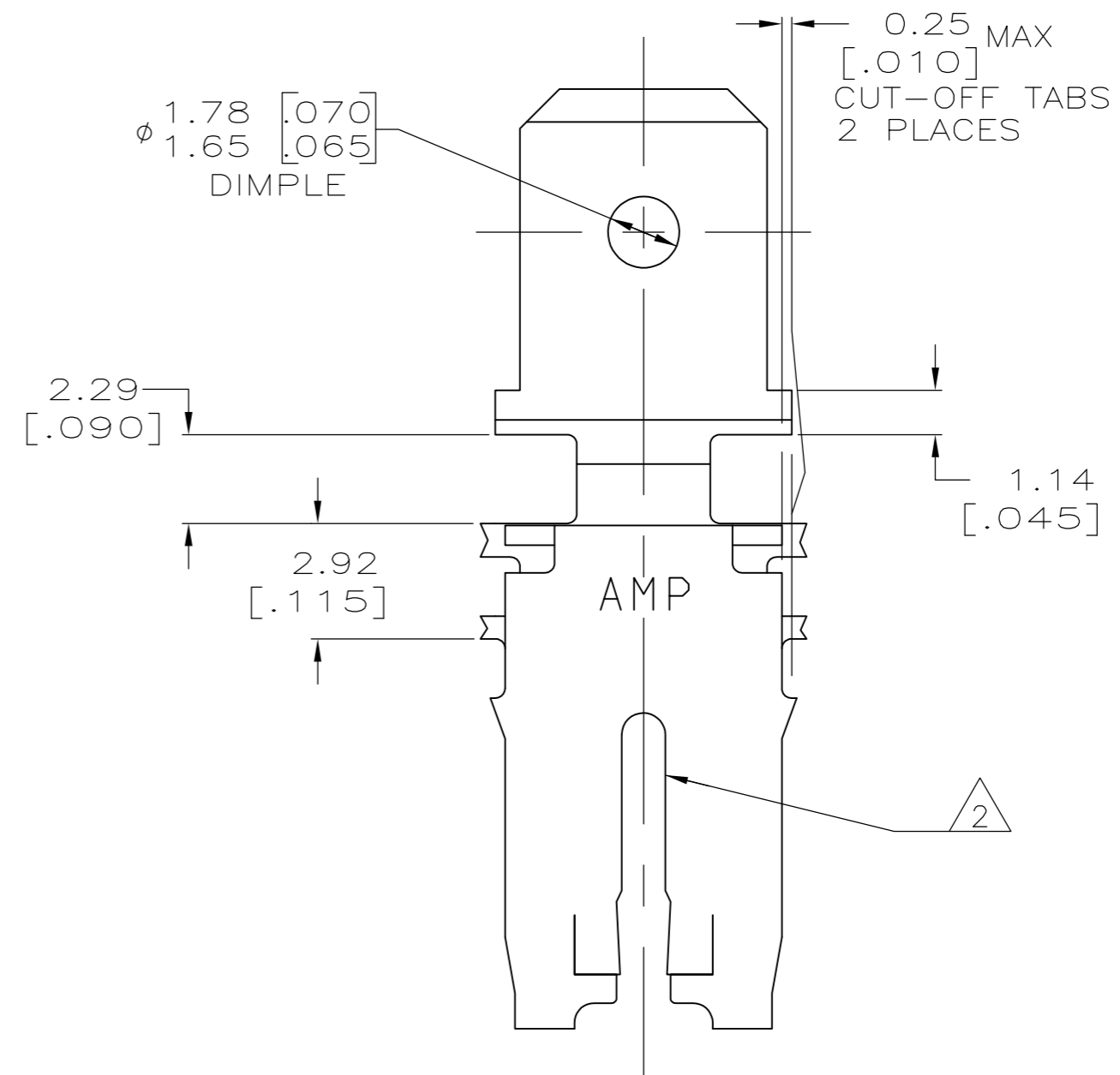
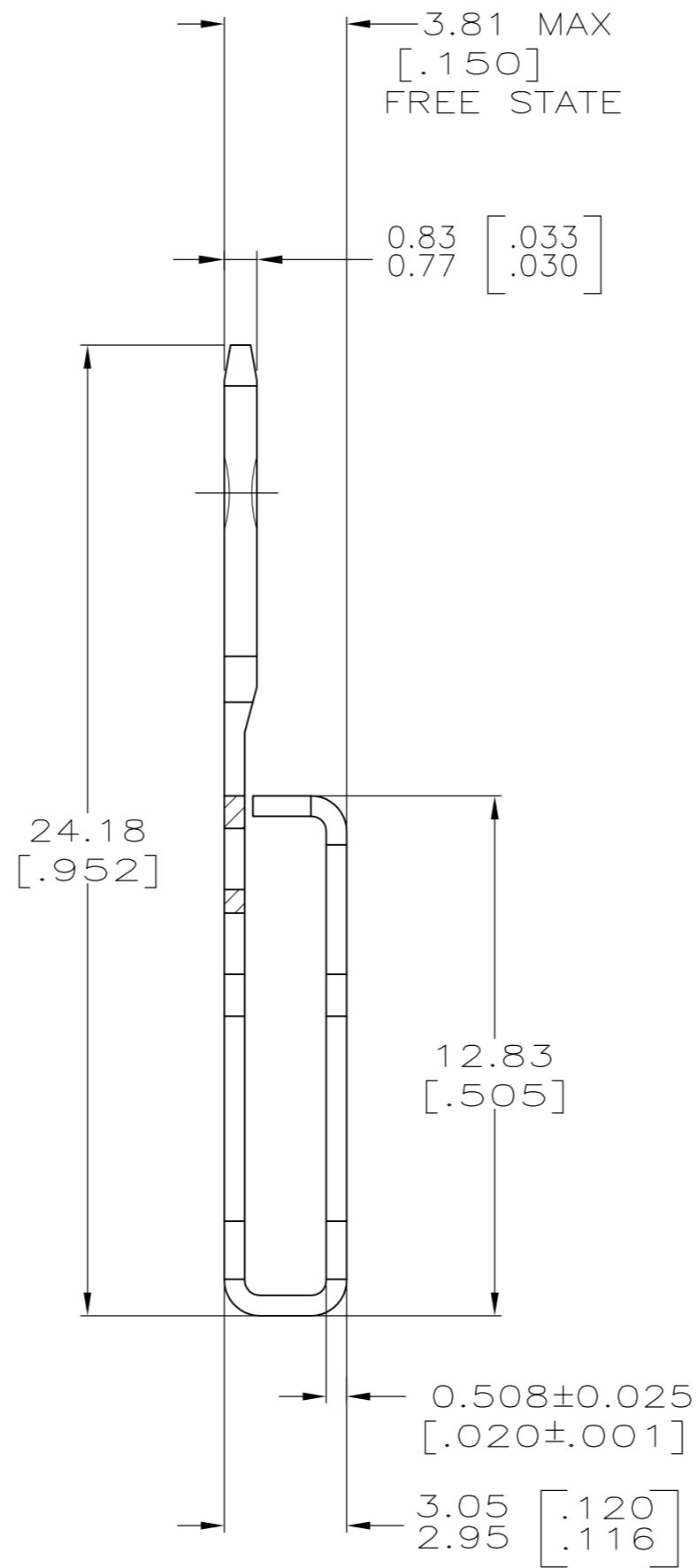
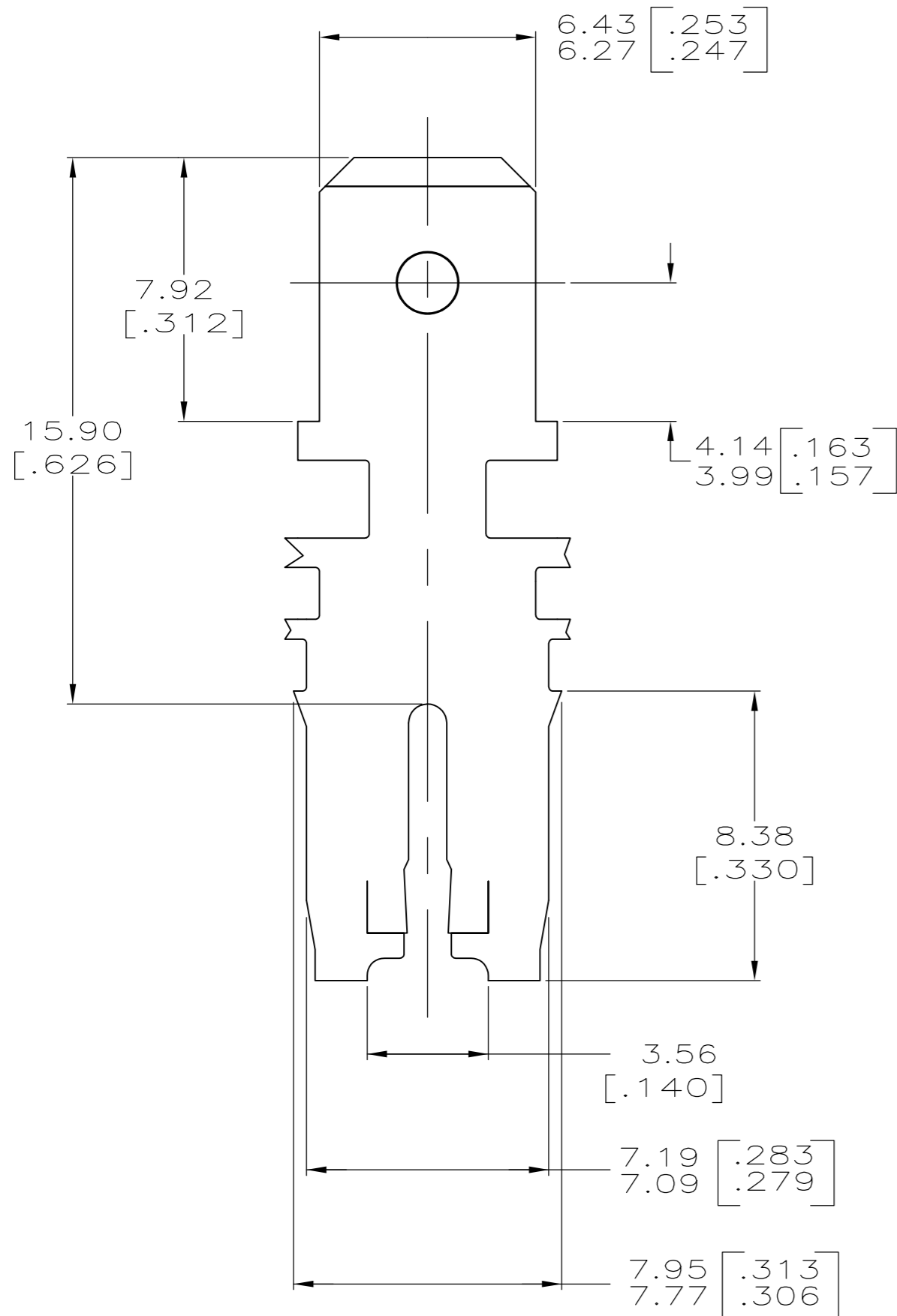
THIS DRAWING IS UNPUBLISHED. RELEASED FOR PUBLICATION
 © COPYRIGHT BY TYCO ELECTRONICS CORPORATION. ALL RIGHTS RESERVED.

LOC	DIST	REVISIONS			
P	LTR	DESCRIPTION	DATE	DWN	APVD
	D	REVISED PER ECR-06-010427	01SEP06	HMR	KR
	E	ECR-13-008483	06AUG13	XJ	DZ

IDENTIFICATION NUMBER 43 FOR MAGNET WIRE RANGE



- 1 CONTINUOUS STRIP ON REELS WITH TERMINALS LOCATED ON 8.38±0.08[.330±.003] CENTERS.
- 2 SLOT ACCEPTS 1.63-1.83mm [#14-#13] AWG COPPER MAGNET WIRE. TWO 1.63mm [#14] AWG COPPER MAGNET WIRES ACCEPTABLE AT CAVITY ANVIL HEIGHT OF 3.94-4.19 [.155-.165].
- 3 AFTER INSERTION INTO PLASTIC HOLDER MAG-MATE MUST BE POTTED-IN TO PREVENT PULL-OUT WHEN MATING RECEPTACLE IS DISCONNECTED.
- 4 TIN PLATE.



63371-1
PART NUMBER

THIS DRAWING IS A CONTROLLED DOCUMENT.		DWN MICHAEL S. FEHER 19MAY1999	tyco Electronics		Tyco Electronics Corporation Harrisburg, PA 17105-3608	
DIMENSIONS: mm [INCHES]		CHK JEFF R. RUTH 07JUN1999	NAME KURT A. RANDOLPH		TAB, 6.35[.250] FASTON,™ 500 SERIES MAG-MATE™	
TOLERANCES UNLESS OTHERWISE SPECIFIED: 0 PLC ± - 1 PLC ± - 2 PLC ± 0.25[.010] 3 PLC ± - 4 PLC ± - ANGLES ± -		APVD KURT A. RANDOLPH 07JUN1999	PRODUCT SPEC 108-2053		SIZE A2	CAGE CODE 00779
MATERIAL 082 PRE-MILLED BRASS		FINISH 4	APPLICATION SPEC 114-2066		DRAWING NO C=63371	RESTRICTED TO -
CUSTOMER DRAWING			SCALE 6:1		SHEET 1 OF 1	REV E

单击下面可查看定价，库存，交付和生命周期等信息

[>>TE Connectivity\(泰科\)](#)