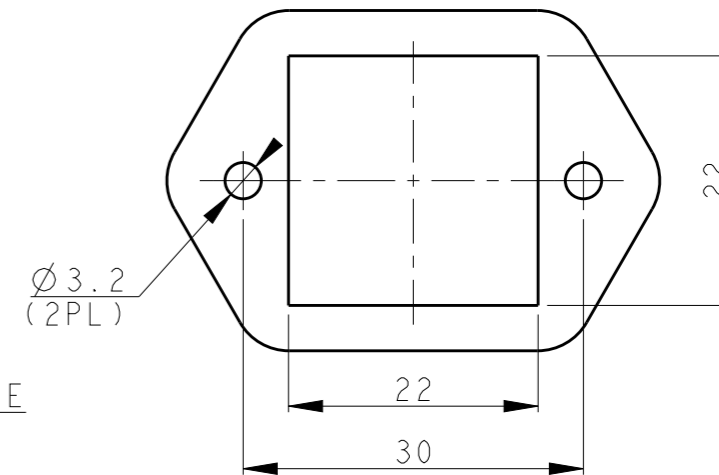
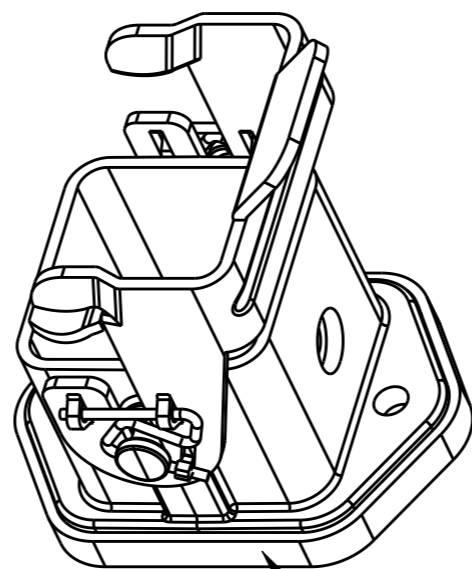
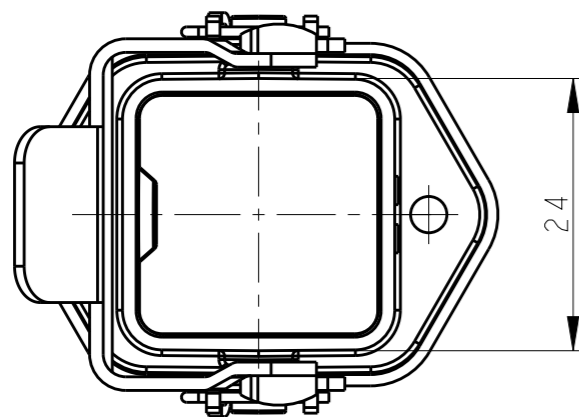


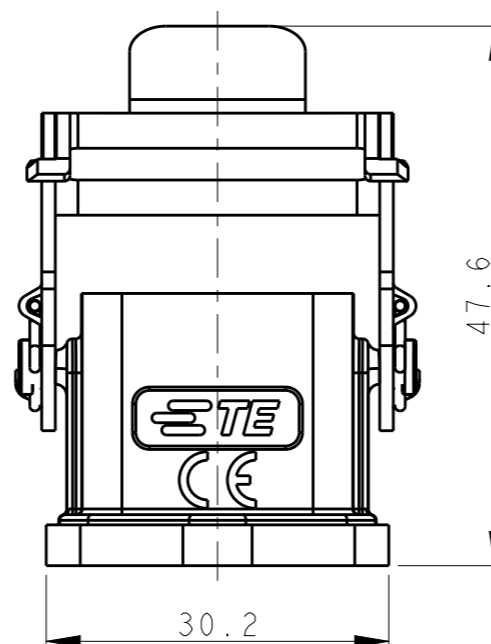
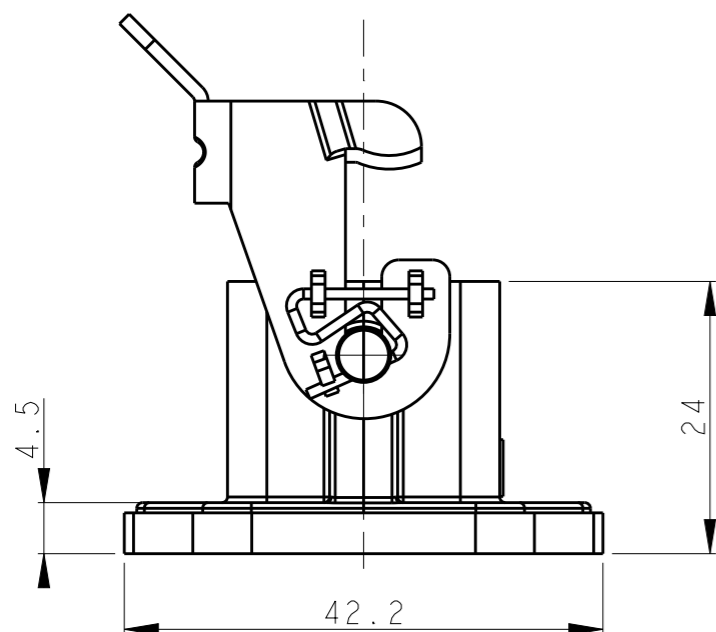
THIS DRAWING IS UNPUBLISHED. RELEASED FOR PUBLICATION 20
 © COPYRIGHT 20 BY - ALL RIGHTS RESERVED.

| REVISIONS | | | | | |
|-----------|-----|-----------------|-----------|-----|------|
| P | LTR | DESCRIPTION | DATE | DWN | APVD |
| | A | INITIAL RELEASE | 22APR2015 | DL | CW |
| | B | ECR-20-007782 | 24NOV2020 | BS | CW |
| | | | | | |
| | | | | | |



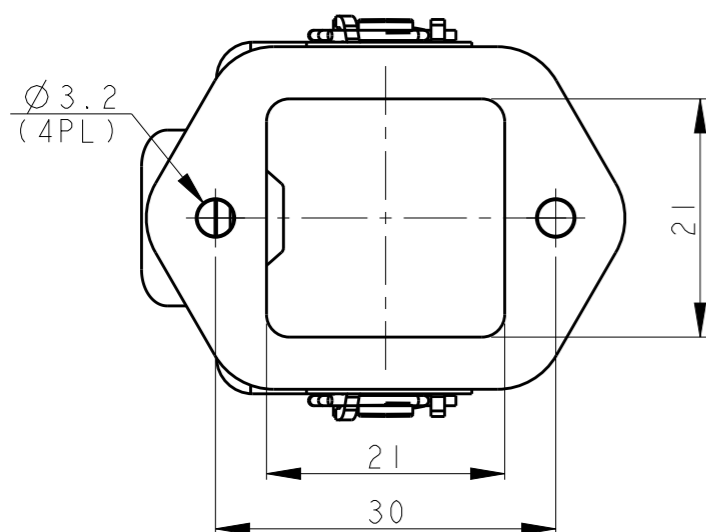
PANNEL CUT OUT

SEAL FIXED BY GLUE




NOTES:
 1. TECHNICAL CHARACTERISTICS:
 BODY MATERIAL: DIE CAST ZINC ALLOY
 SURFACE TREATMENT: POWDER-COATED, GRAY
 DEGREE OF PROTECTION: IP65 (MATED)

注释:
 1. 技术参数:
 主体材料: 锌合金
 表面处理: 粉末喷涂, 灰色
 防护等级: IP65(配合)



| | |
|----------------------|---------------------------|
| T1509030500-000 | H3A-MAG |
| ASSEMBLY PART NUMBER | ASSEMBLY PART DESCRIPTION |

| | | | | | | |
|---|--|--------------------------------|---|-------------|--------------------------------|---------------|
| THIS DRAWING IS A CONTROLLED DOCUMENT. | | DWN 22APR2015 DAVID LI |  TE Connectivity NAME H3A-MAG | | | |
| DIMENSIONS: mm | | CHK 22APR2015 CHRIS WANG | | | | |
| TOLERANCES UNLESS OTHERWISE SPECIFIED: | | APVD 22APR2015 XU XIANG | | | | |
| 0 PLC ±- 1 PLC ±- 2 PLC ±- 3 PLC ±- 4 PLC ±- ANGLES ±- | | PRODUCT SPEC 108-137012 | | | | |
| MATERIAL | | APPLICATION SPEC 108-137012 | SIZE A3 | CAGE CODE - | DRAWING NO C-T1509030500000 | RESTRICTED TO |
| FINISH | | WEIGHT - | SCALE 3:2 | | SHEET 1 OF 1 | REV B |
| | | CUSTOMER DRAWING | | | | |

单击下面可查看定价，库存，交付和生命周期等信息

[>>TE Connectivity\(泰科\)](#)