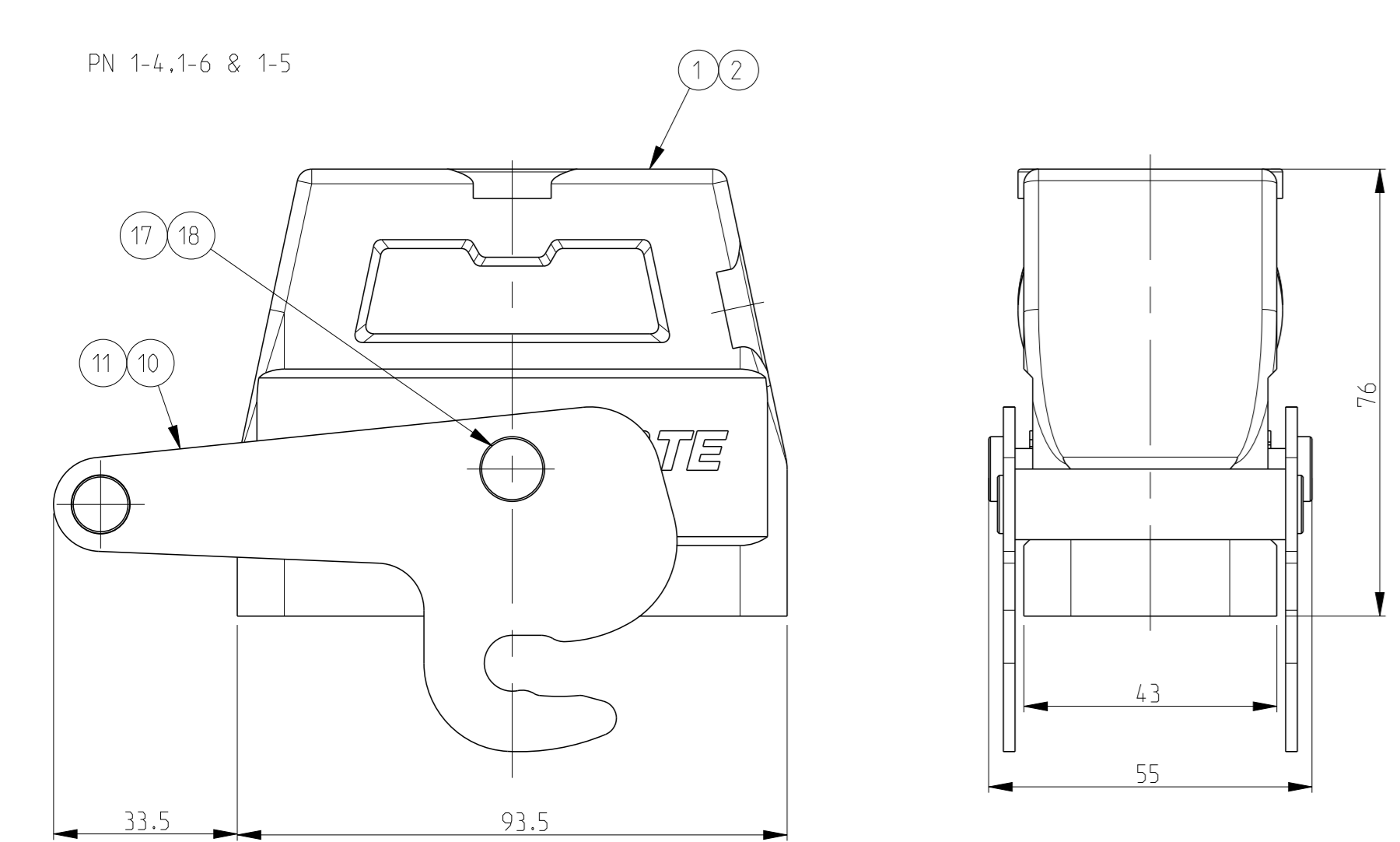
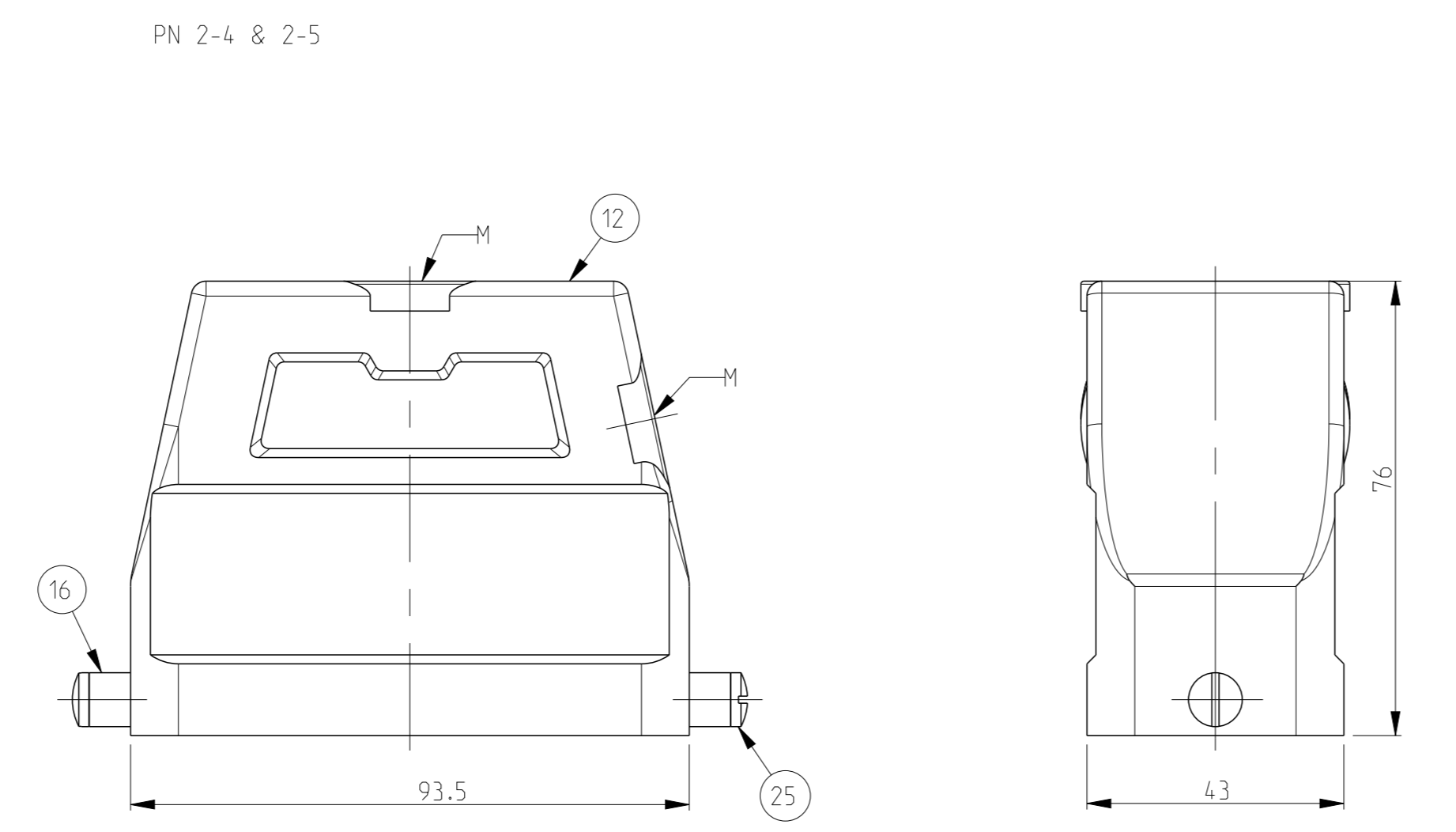
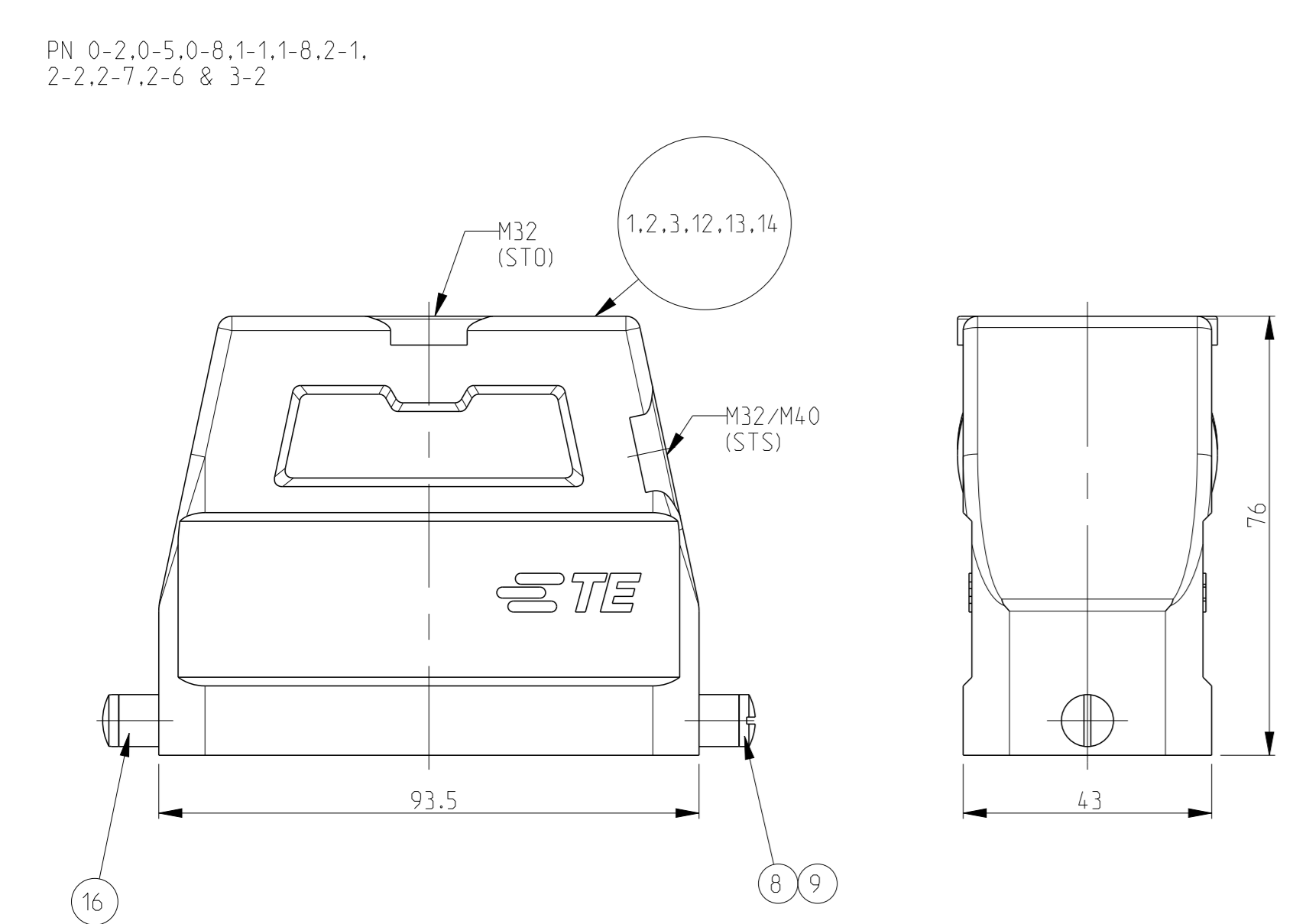
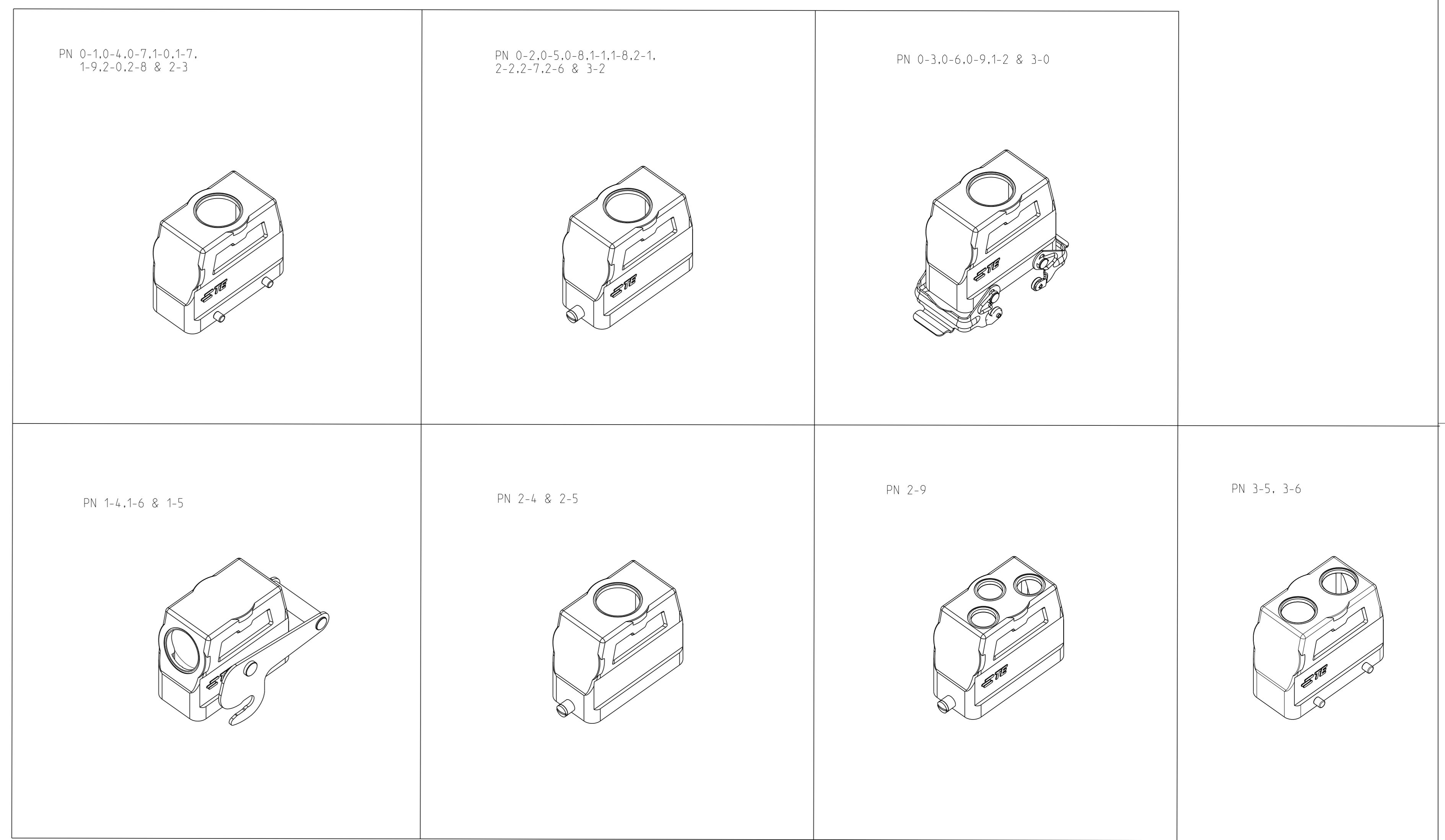
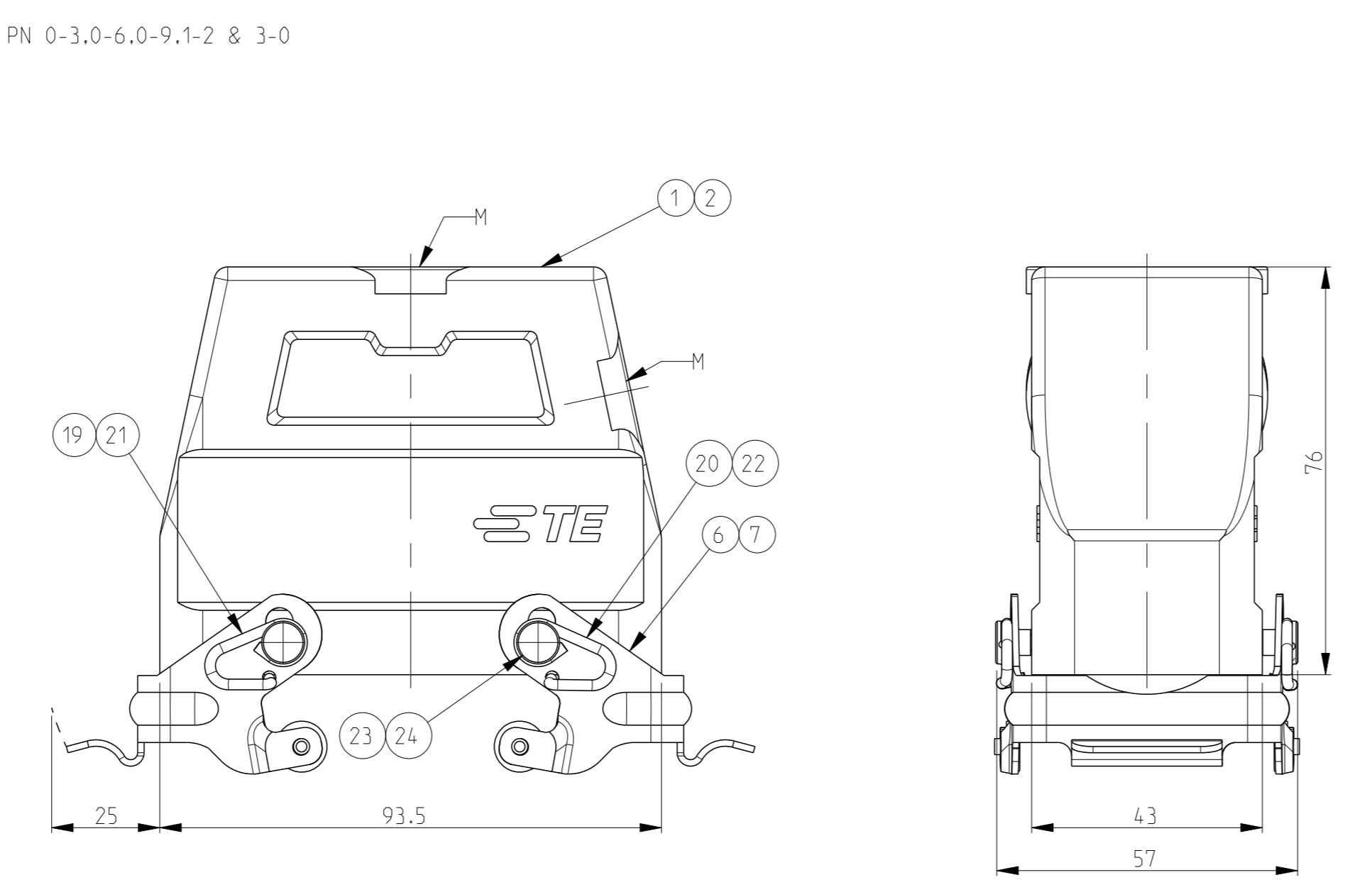
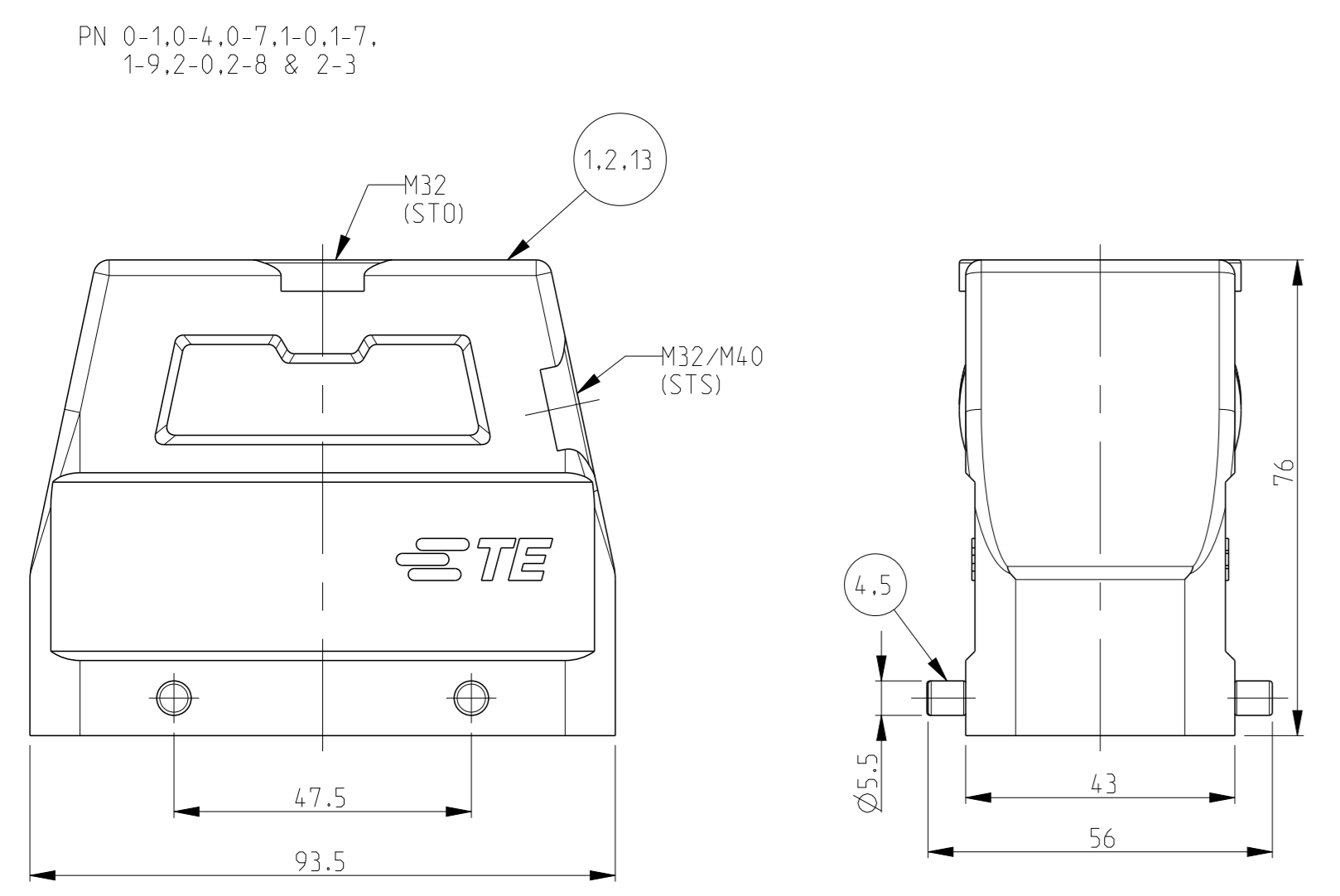
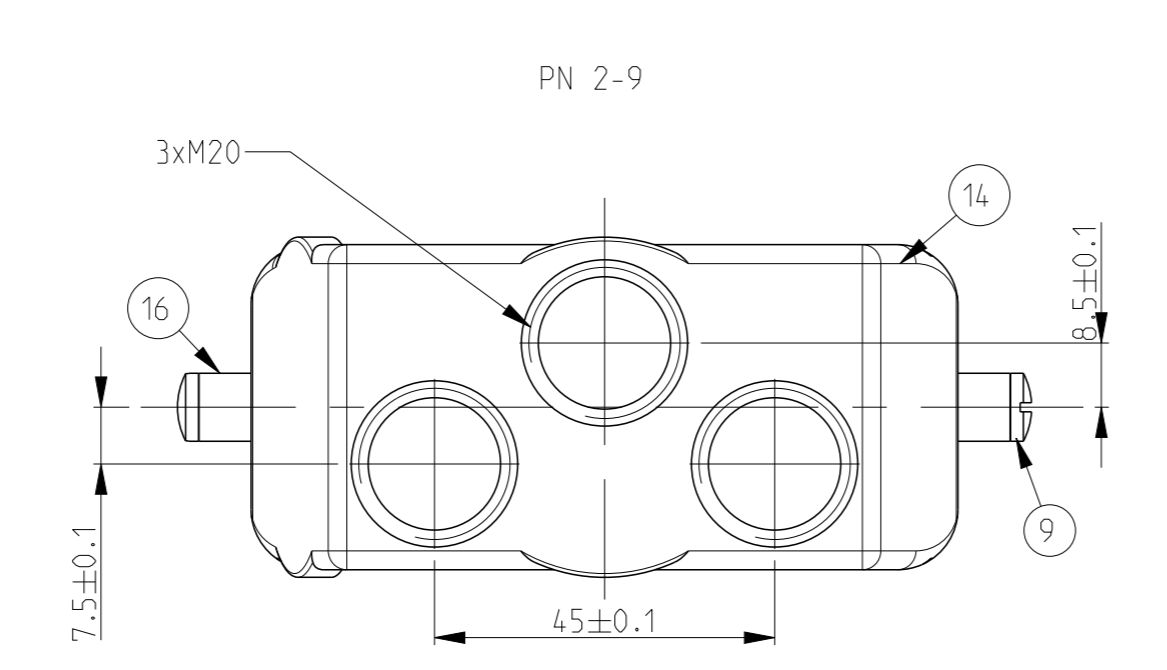
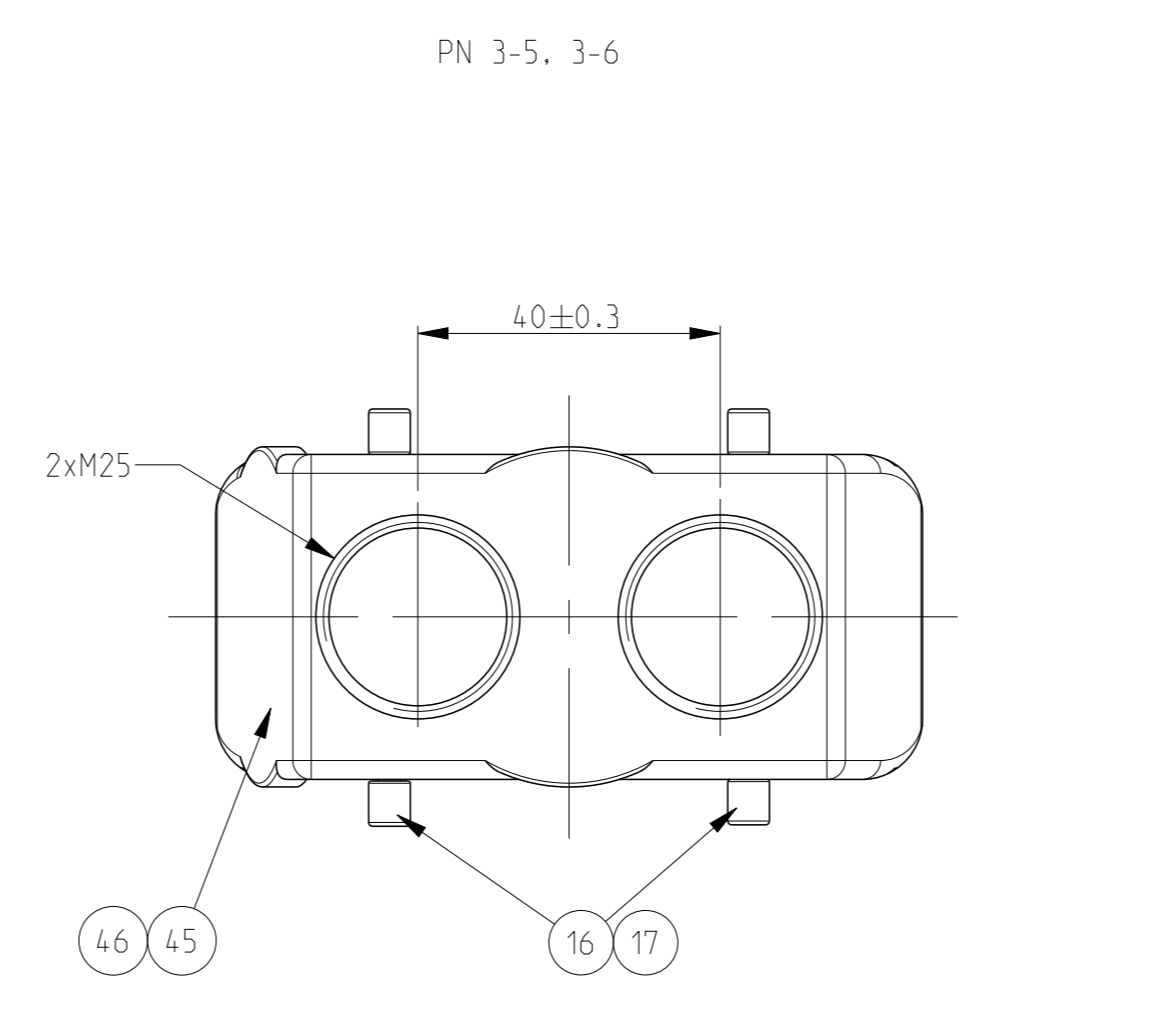
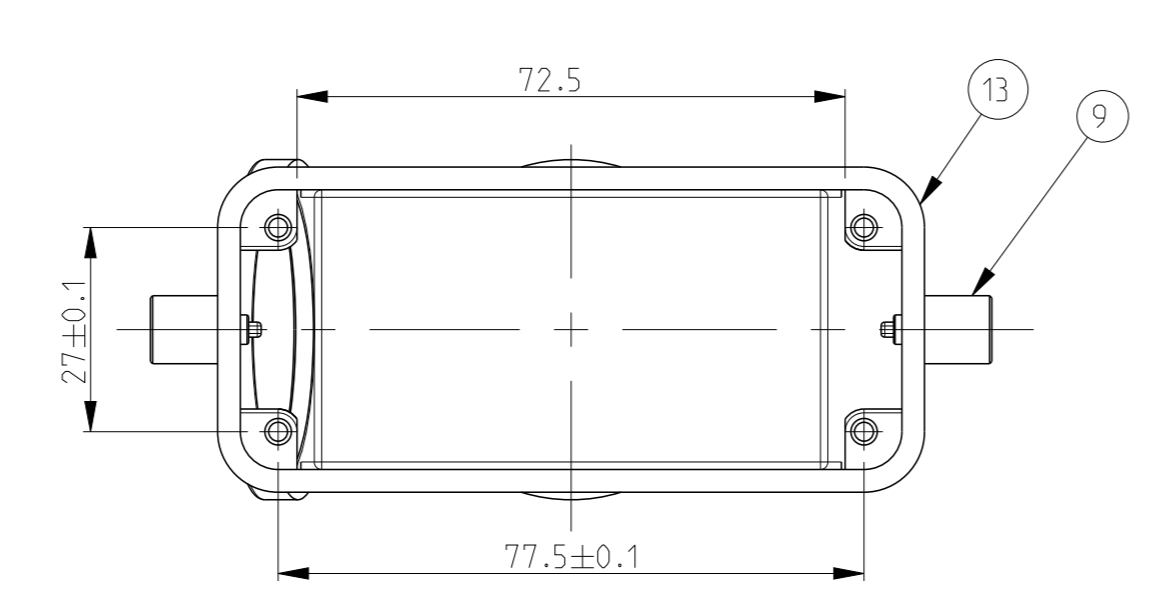


REV	DATE	DESCRIPTION	BY	APPD
A18	ECR-14-014129		29SEP2014	GR MKO
A19	ECR-15-000619		21AUG2015	GR MKO
A20	ECR-16-016696		18SEP2017	GR MKO
A21	REVISED PER ECR-16-016780		30JAN2018	SRG MKO
A22	ECR-17-014013		23MAR2018	SG MKO



Valid only for PN 2-7 and 2-8  
 Landing at measure 72.5 (20mm Deep) milled off : bothsides



QTY	DESCRIPTION	MATERIAL	SURFACE	COLOR	ITEM NO	NOTES
4	HD-K HOOD	ALUMINIUM	ALUMINIUM OXIDE	BLACK	46	
4	HD HOOD	ALUMINIUM	ALUMINIUM OXIDE	GREY	45	
4	HD HOOD	ALUMINIUM			44	WITHOUT LOGO&DRILLING
4	HD HOOD	ALUMINIUM			43	WITHOUT LOGO&DRILLING
4	HD HOOD	ALUMINIUM			42	
4	HD HOOD	ALUMINIUM			41	SINGLE PART
4	HD HOOD	ALUMINIUM			40	3xM20
2	LB-CLIP BOLT	STEEL	ZINC PLATED	BLUE	39	M5
4	HD-K HOOD	ALUMINIUM	ALUMINIUM OXIDE	BLACK	38	
4	HD-K HOOD	ALUMINIUM	ALUMINIUM OXIDE	BLACK	37	
4	HD HOOD	ALUMINIUM		GREY	36	WITH OUT TE-LOGO
4	HD HOOD	ALUMINIUM		GREY	35	WITH OUT TE-LOGO
4	HD HOOD	ALUMINIUM		GREY	34	WITH OUT TE-LOGO
4	HD HOOD	ALUMINIUM		GREY	33	
2	ZB-CLIP POSITIONER	STAINLESS STEEL			32	
2	ZB-CLIP POSITIONER	STEEL	ZINC PLATED	BLUE	31	
1	ZB-LOCKING CLIP	STAINLESS STEEL	BLANK		30	
1	ZB-LOCKING CLIP	STEEL	ZINC PLATED	BLUE	29	
2	LB-SLIDE SPOOL	STEEL	ZINC PLATED	BLUE	28	
2	LB-CLIP BOLT	STAINLESS STEEL	BLANK		27	
2	LB-CLIP BOLT	STEEL	ZINC PLATED	BLUE	26	
2	VS-CLIP SPRING RIGHT	STAINLESS STEEL	BLANK		25	
2	VS-CLIP SPRING RIGHT	STEEL	ZINC PLATED	BLUE	24	
2	VS-CLIP SPRING LEFT	STAINLESS STEEL	BLANK		23	
2	VS-CLIP SPRING LEFT	STEEL	ZINC PLATED	BLUE	22	
4	VS-CLIP POSITIONER	STAINLESS STEEL	BLANK		21	
4	VS-CLIP POSITIONER	STEEL	ZINC PLATED	BLUE	20	
4	VS-LOCKING CLIP	STAINLESS STEEL	BLANK		19	
4	VS-LOCKING CLIP	STEEL	ZINC PLATED	BLUE	18	
4	VS-CLIP BOLT	STAINLESS STEEL	BLANK		17	
4	VS-CLIP BOLT	STEEL	ZINC PLATED	BLUE	16	
4	HD HOOD	ALUMINIUM		GREY	15	WITH OUT TE-LOGO
4	HD HOOD	ALUMINIUM		GREY	14	WITH OUT TE-LOGO
4	HD HOOD	ALUMINIUM		GREY	13	WITH OUT TE-LOGO
4	HD HOOD	ALUMINIUM		GREY	12	WITH OUT TE-LOGO
4	HD HOOD	ALUMINIUM		GREY	11	
4	HD HOOD	ALUMINIUM		GREY	10	
4	HD-K HOOD	ALUMINIUM	ALUMINIUM OXIDE	BLACK	9	
4	HD-K HOOD	ALUMINIUM	ALUMINIUM OXIDE	BLACK	8	
4	HD-K HOOD	ALUMINIUM	ALUMINIUM OXIDE	BLACK	7	
4	HD-K HOOD	ALUMINIUM	ALUMINIUM OXIDE	BLACK	6	
4	HD-K HOOD	ALUMINIUM	ALUMINIUM OXIDE	BLACK	5	
4	HD HOOD	ALUMINIUM		GREY	4	
4	HD HOOD	ALUMINIUM		GREY	3	
4	HD HOOD	ALUMINIUM		GREY	2	
4	HD HOOD	ALUMINIUM		GREY	1	

- NOTES
- ▲ MATERIAL-HOUSING ALUMINIUM DIECASTING ALLOY
  - ▲ SURFACE-POWDER VARNISH-GREY - VARNISH-BLACK
  - 3 VARNISH ON THE INSIDE NOT NECESSARY
  - ▲ WITH OUT TE LOGO
  - ▲ PACKAGING QUANTITY 5 PIECES IN A BOX

THIS DRAWING IS A CONTROLLED DOCUMENT. DATE: 16.01.2002  
 DIMENSIONS: (mm) SCHNEIDER, SCHNEIDER  
 PRODUCT SPEC: HOOD  
 APPLICATION SPEC: HD.40.STO/STS.M32/M40.G  
 MATERIAL: ALUMINIUM  
 FINISH: POLISHED  
 WEIGHT: -  
 CUSTOMER DRAWING: A0 00779 ©=1106452  
 SCALE: 1:1  
 SHEET: 1 of 1  
 REV: A22

单击下面可查看定价，库存，交付和生命周期等信息

[>>TE Connectivity\(泰科\)](#)