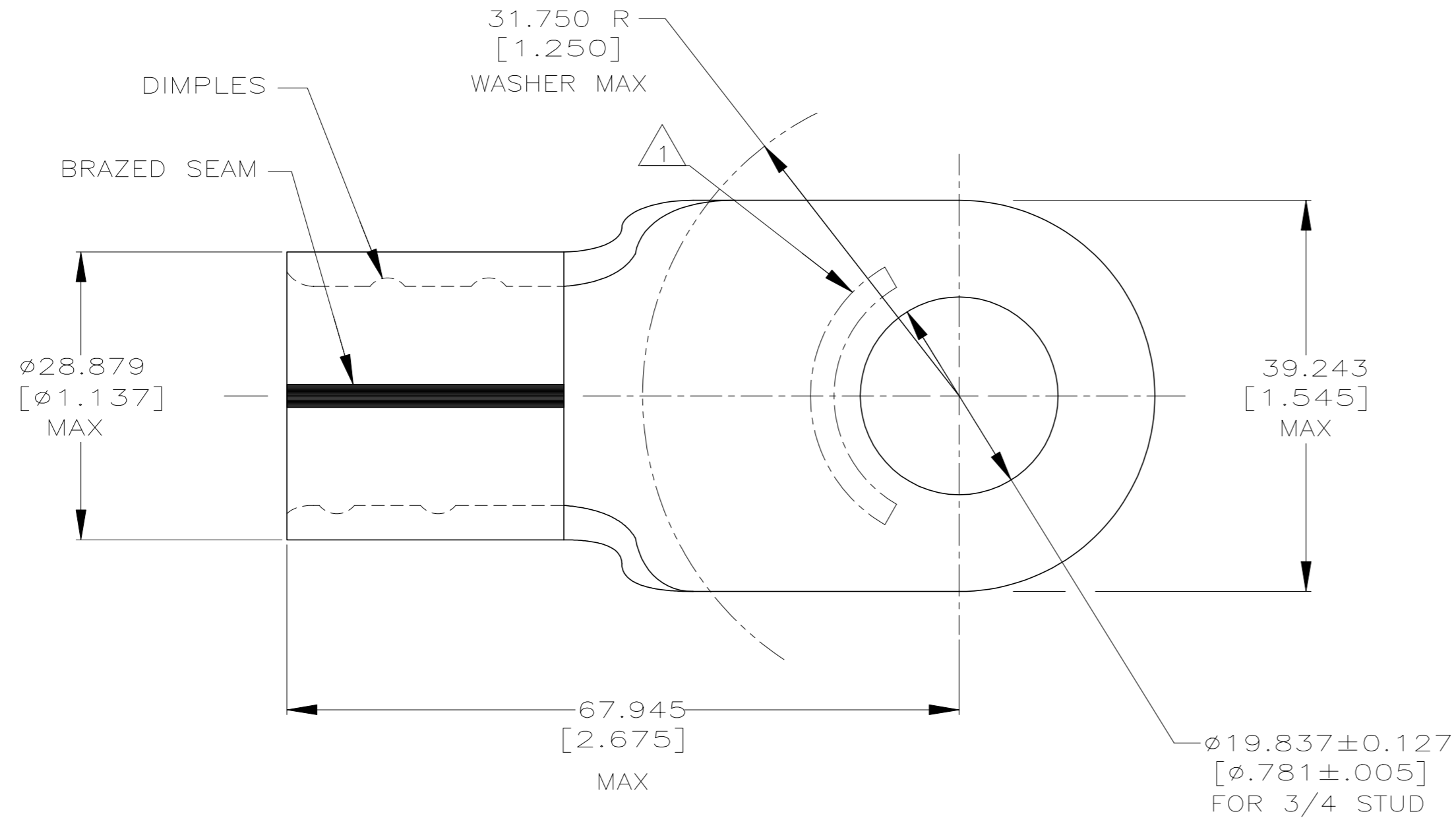


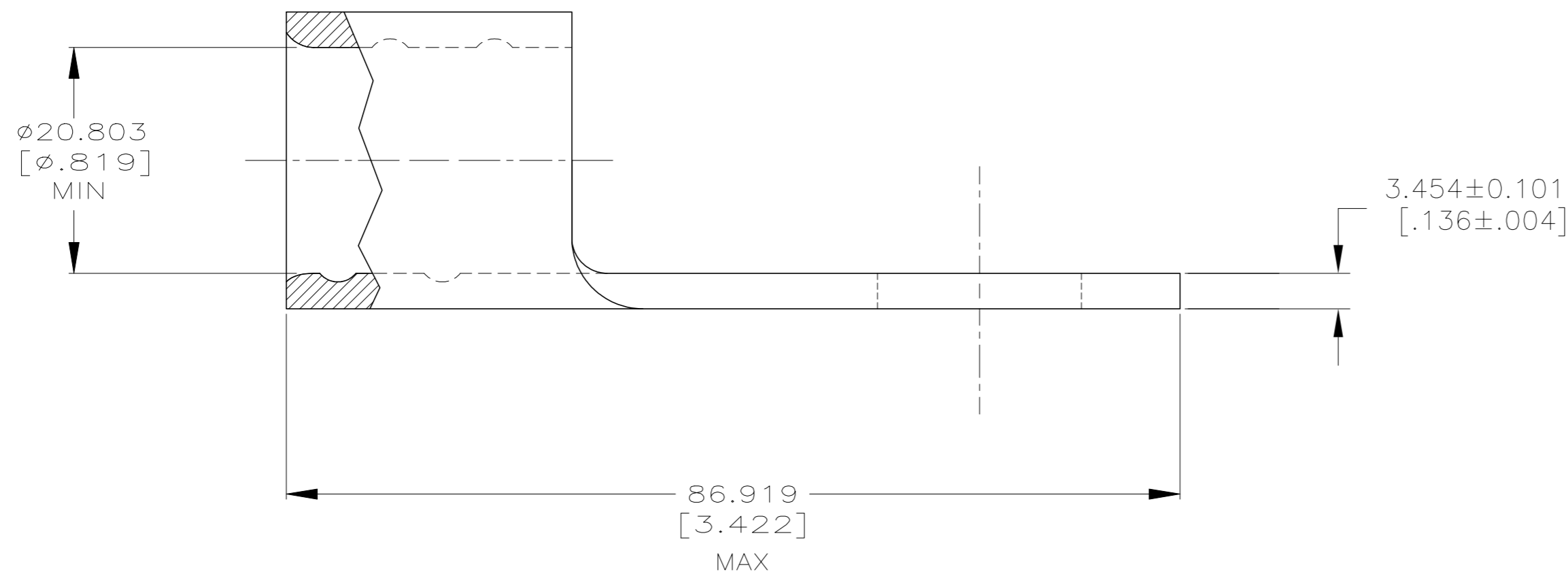
THIS DRAWING IS UNPUBLISHED. RELEASED FOR PUBLICATION
 © COPYRIGHT - TE Connectivity ALL RIGHTS RESERVED.

REVISIONS					
P	LTR	DESCRIPTION	DATE	DWN	APVD
C		REVISED PER ECO-17-004099	30AUG2017	RS	DR
D		REVISED PER ECO-19-004230	21MAR2019	RS	DR



AMP WIRE RANGE	E13288 Listed
300-350 MCM SOLID OR STRANDED	300-350 MCM STRANDED

1 STAMP AMP 300-350 MCM APPROX AS SHOWN



AMP INCORPORATED CUSTOMER SERVICE SYSTEMS		MAX RECOMMENDED OPERATING TEMPERATURE: 170° C [338°F] MAX
FOR ADDITIONAL PRODUCT INFORMATION OR COPIES OF DRAWINGS AND TECHNICAL DOCUMENTS	PRODUCT INFORMATION CENTER 1-800-522-6752	VOLTAGE RATING: NOT APPLICABLE
FOR APPLICATION TOOLING INFORMATION	TOOLING ASSISTANCE CENTER 1-800-722-1111	WIRE CROSS SECTIONAL AREA RANGE: 152.0-193.0mm ² [300,000-380,000] CIR MILS SOLID OR STRANDED
FOR ORDER ENTRY	1-800-526-5142	THIS DRAWING IS A CONTROLLED DOCUMENT FOR AMP INCORPORATED. IT IS SUBJECT TO CHANGE AND THE CONTROLLING ENGINEERING ORGANIZATION SHOULD BE CONTACTED FOR THE LATEST REVISION.

25	LOOSE PIECE	322428
QTY	PACKAGE TYPE	PART NUMBER
THIS DRAWING IS A CONTROLLED DOCUMENT.		
DIMENSIONS: mm [INCHES]	TOLERANCES UNLESS OTHERWISE SPECIFIED:	DWN DK_SCHRUM 10/7/93 CHK AJ KAUFMAN 10/13/93 APVD RE ROSER 10/13/93 PRODUCT SPEC APPLICATION SPEC
	0 PLC ± - 1 PLC ± - 2 PLC ± - 3 PLC ± 0.203[.008] 4 PLC ± - ANGLES ± -	NAME UL 486A-B
MATERIAL COPPER PER ASTM B-152 ANNEALED	FINISH TIN PLATE 0.00254[.000100] MIN EXT THK PER ASTM B545	SIZE CAGE CODE DRAWING NO RESTRICTED TO A2 00779 C=322428 -
CUSTOMER DRAWING		SCALE 2:1 SHEET 1 of 1 REV D

单击下面可查看定价，库存，交付和生命周期等信息

[>>TE Connectivity\(泰科\)](#)