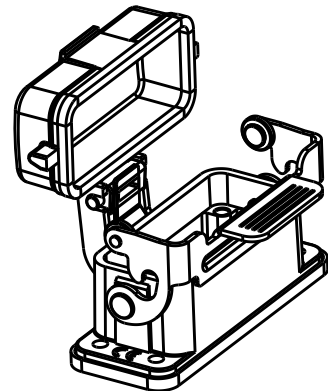
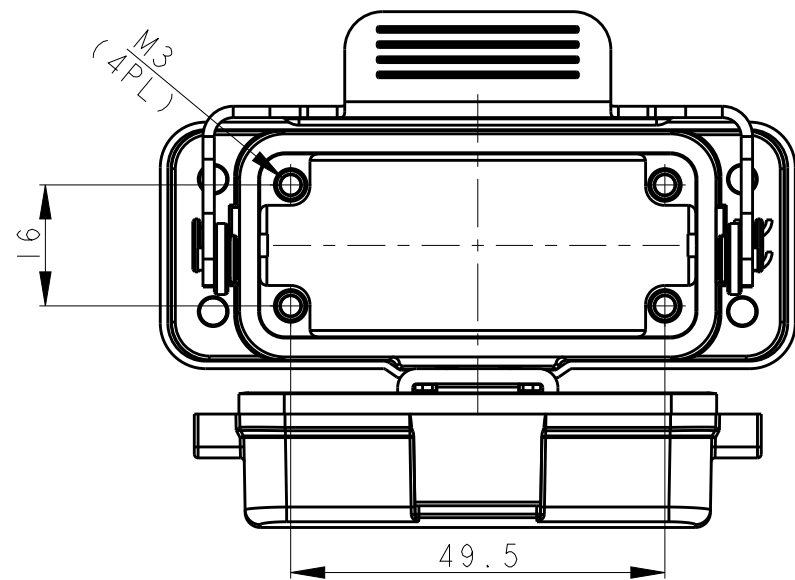
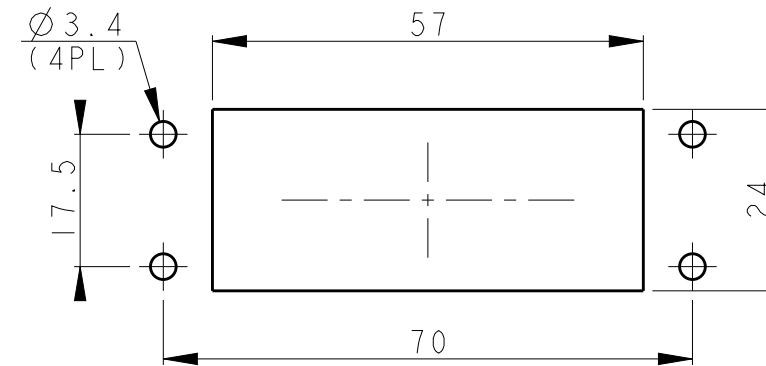


THIS DRAWING IS UNPUBLISHED. RELEASED FOR PUBLICATION 20
 © COPYRIGHT 20 BY - ALL RIGHTS RESERVED.

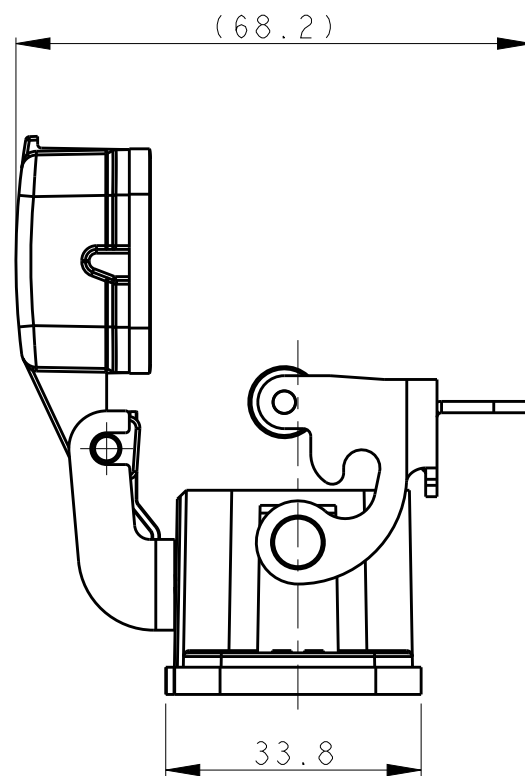
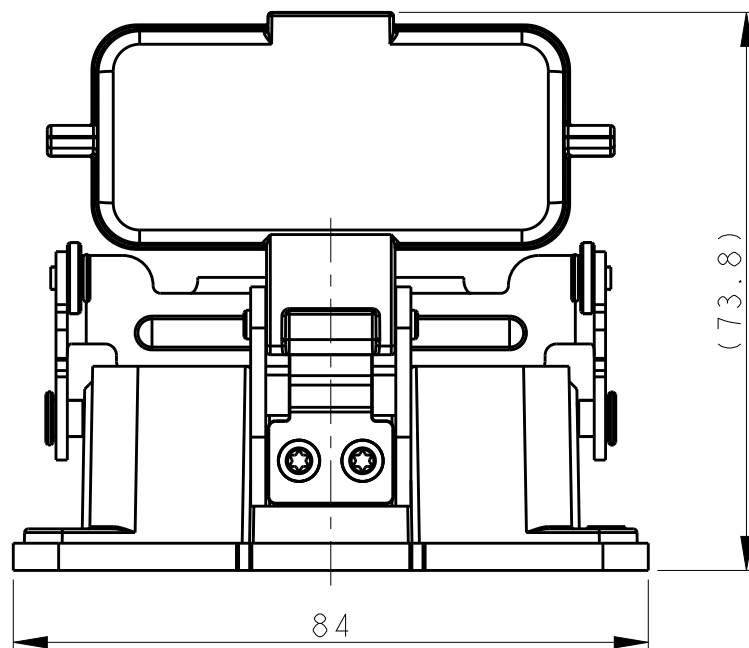
REVISIONS					
P	LTR	DESCRIPTION	DATE	DWN	APVD
A		INITIAL RELEASE	24APR2015	DL	CW
B		ECR-20-008424	14DEC2020	BS	CW



SCALE 1:2

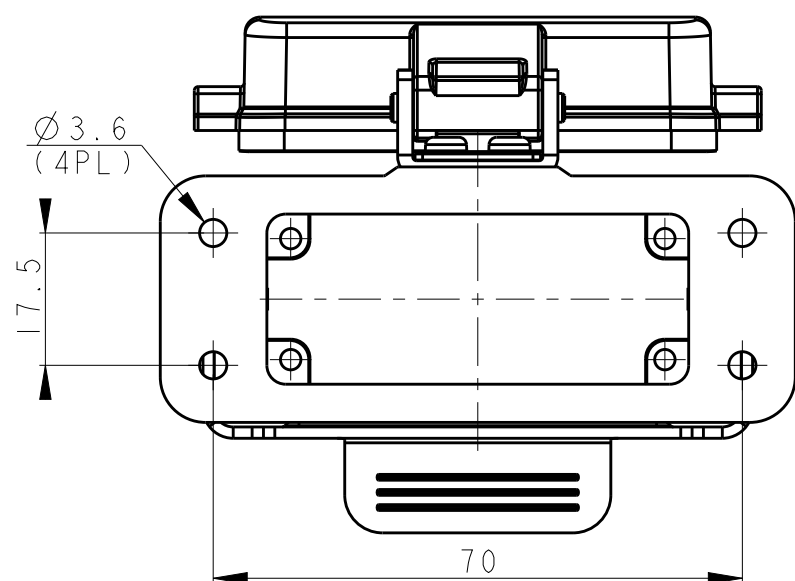


PANNEL CUT OUT




NOTES:
 1. TECHNICAL CHARACTERISTICS:
 BODY MATERIAL: DIE CAST ALUMINIUM ALLOY
 SURFACE TREATMENT: POWDER-COATED, GRAY
 DEGREE OF PROTECTION: IP65 (MATED)

注释:
 1. 技术参数:
 主体材料: 铝合金
 表面处理: 粉末喷涂, 灰色
 防护等级: IP65(配合)



T1519101000-000	H10A-ADMS
ASSEMBLY PART NUMBER	ASSEMBLY PART DESCRIPTION

THIS DRAWING IS A CONTROLLED DOCUMENT.		DWN 24APR2015 DAVID LI	 TE Connectivity NAME H10A-ADMS				
DIMENSIONS: mm		CHK 24APR2015 CHRIS WANG					
TOLERANCES UNLESS OTHERWISE SPECIFIED:		APVD 24APR2015 XU XIANG					
0 PLC ±- 1 PLC ±- 2 PLC ±- 3 PLC ±- 4 PLC ±- ANGLES ±-		PRODUCT SPEC 108-137010					
MATERIAL	FINISH	APPLICATION SPEC 114-137010	WEIGHT	SIZE A3	CAGE CODE -	DRAWING NO. ©-T1519101000000	RESTRICTED TO -
CUSTOMER DRAWING		SCALE 1:1		SHEET 1 OF 1	REV B		

单击下面可查看定价，库存，交付和生命周期等信息

[>>TE Connectivity\(泰科\)](#)