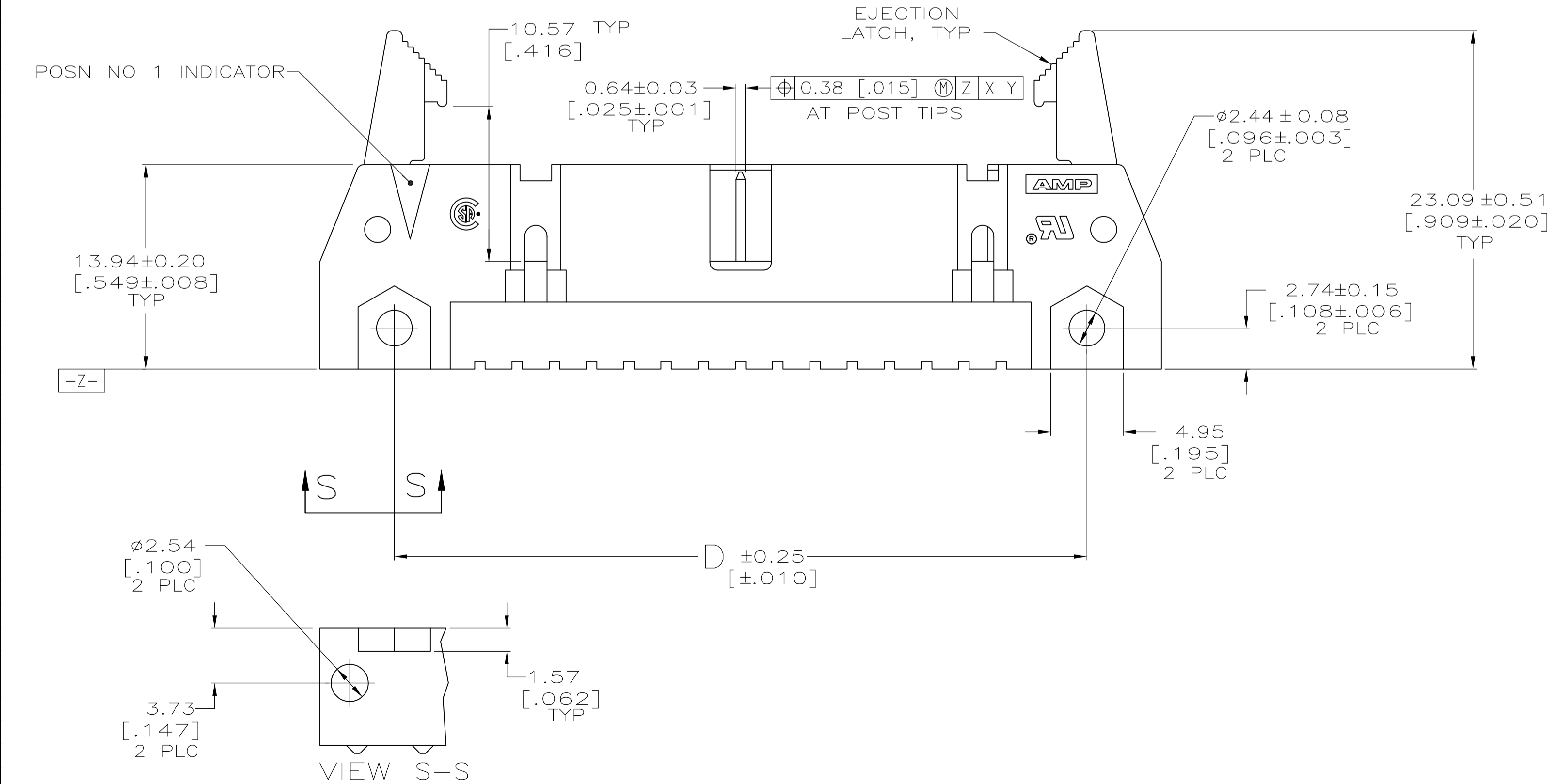
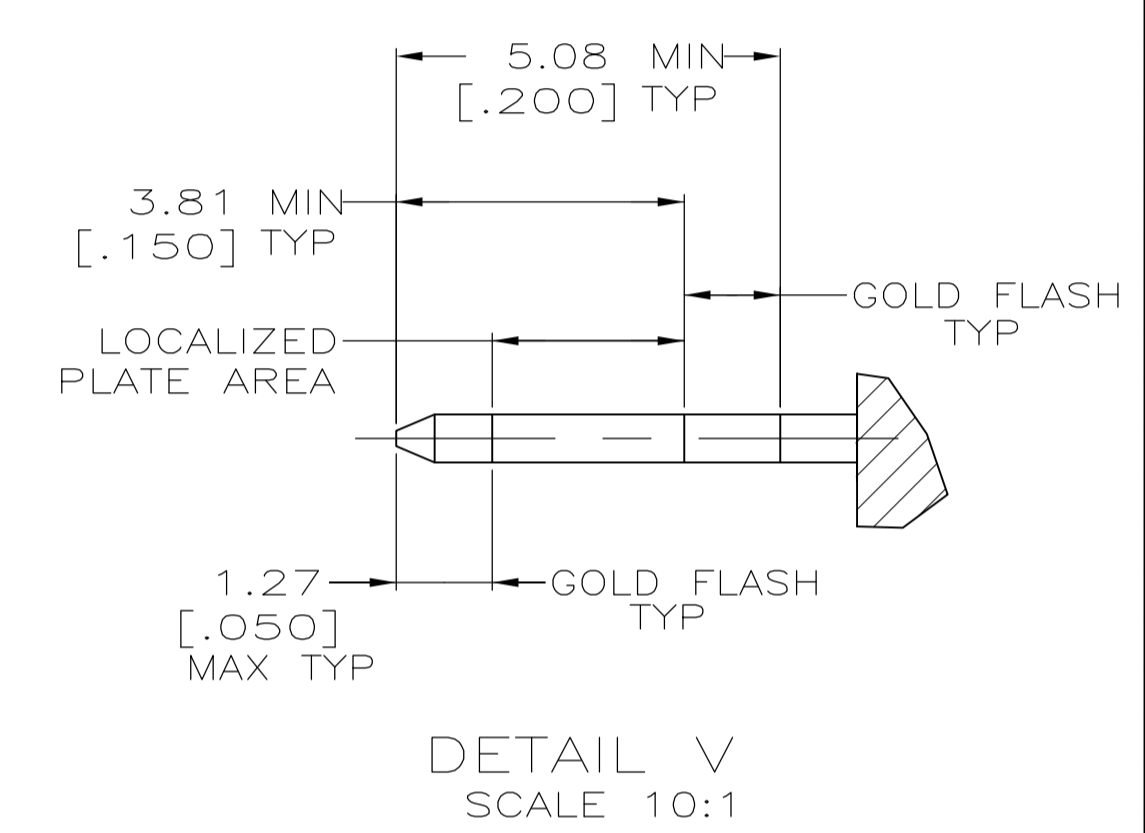
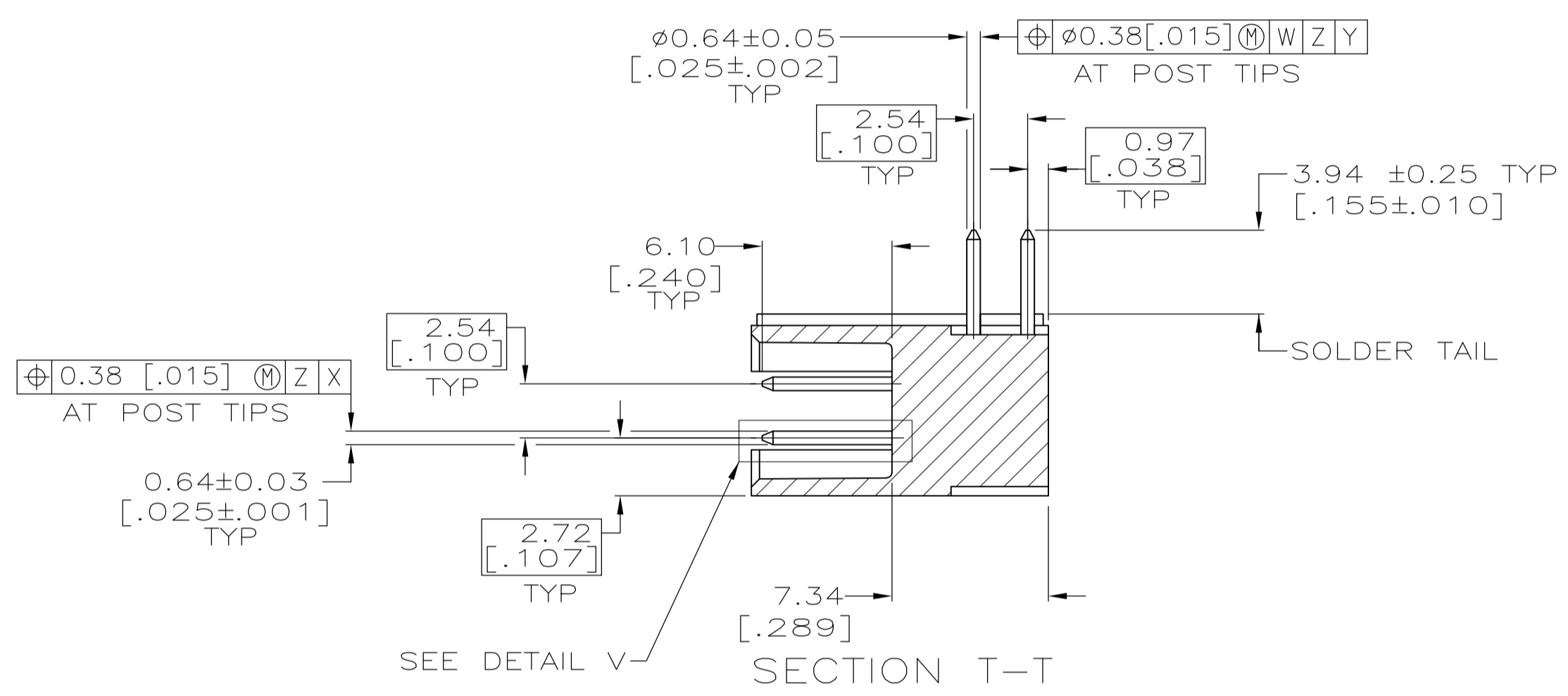
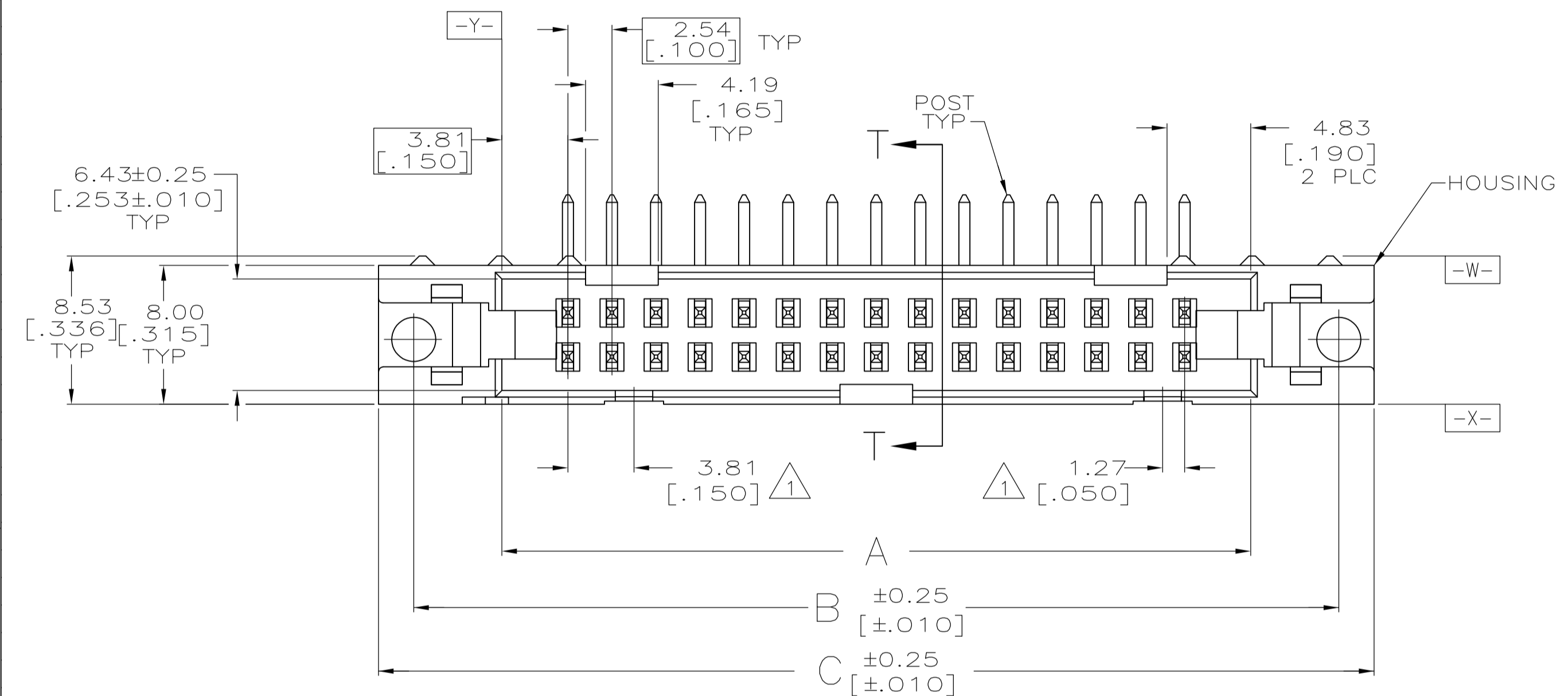


- 1 COORDINATE DIMENSION APPLIES FROM BASIC LOCATION.
- 2 RECOMMENDED PRINTED CIRCUIT BOARD THICKNESS IS 3.18 [.125].
- 3 DISTANCE REQUIRED BY EJECTION LATCHES IN THE OPEN POSITION.
- 4 HOUSING & LATCHES: GLASS FILLED NYLON OR POLYESTER, UL94V-0 RATED, BLACK. POSTS: BRASS.
- 5 POSTS: GOLD FLASH OVER PALLADIUM-NICKEL PLATE, 0.38μm[.000015] MIN TOTAL ON THE LOCALIZED PLATE AREA, 2.54μm[.000100] MIN TIN PLATE ON THE SOLDER-TAILS, 1.27μm[.000050] MIN NICKEL UNDERPLATE ON THE ENTIRE POST. -OR- 0.38μm[.000015] MIN GOLD PLATE ON THE LOCALIZED PLATE AREA, 2.54μm[.000100] MIN TIN PLATE ON THE SOLDER-TAILS, 1.27μm[.000050] MIN NICKEL UNDERPLATE ON THE ENTIRE POST.
- 6 DATUMS -M- & -N- TO BE ESTABLISHED BY CUSTOMER.

RECOMMENDED PC BOARD MOUNTING DIMENSIONS SCALE 2:1

EJECTION LATCHES OMITTED IN THIS VIEW FOR CLARITY



40.64 [1.600]	52.32 [2.060]	52.32 [2.060]	62.48 [2.460]	58.42 [2.300]	48.26 [1.900]	34	5499914-8
22.86 [.900]	34.54 [1.360]	34.54 [1.360]	44.70 [1.760]	40.64 [1.600]	30.48 [1.200]	20	5499914-4
F	E	D	C	B	A	NO OF POSN	PART NUMBER

THIS DRAWING IS A CONTROLLED DOCUMENT.

DIMENSIONS: mm (INCHES)	TOLERANCES UNLESS OTHERWISE SPECIFIED:	DIN L VARELA - DOCKS 01-11-05	APVD M WALMSLEY 01-11-05	NAME	Tyco Electronics Corporation Harrisburg, PA 17105-3608		
0 PLC ± -	1 PLC ± -	2 PLC ± 0.13[.005]	3 PLC ± -	4 PLC ± -	FINISH		
MATERIAL		FINISH		SIZE	CAGE CODE	DRAWING NO	RESTRICTED TO
CUSTOMER DRAWING		SCALE 4:1		WEIGHT	A1	00779	5499914

COPYRIGHT 2005 TYCO ELECTRONICS CORP ALL RIGHTS RESERVED

单击下面可查看定价，库存，交付和生命周期等信息

[>>TE Connectivity\(泰科\)](#)