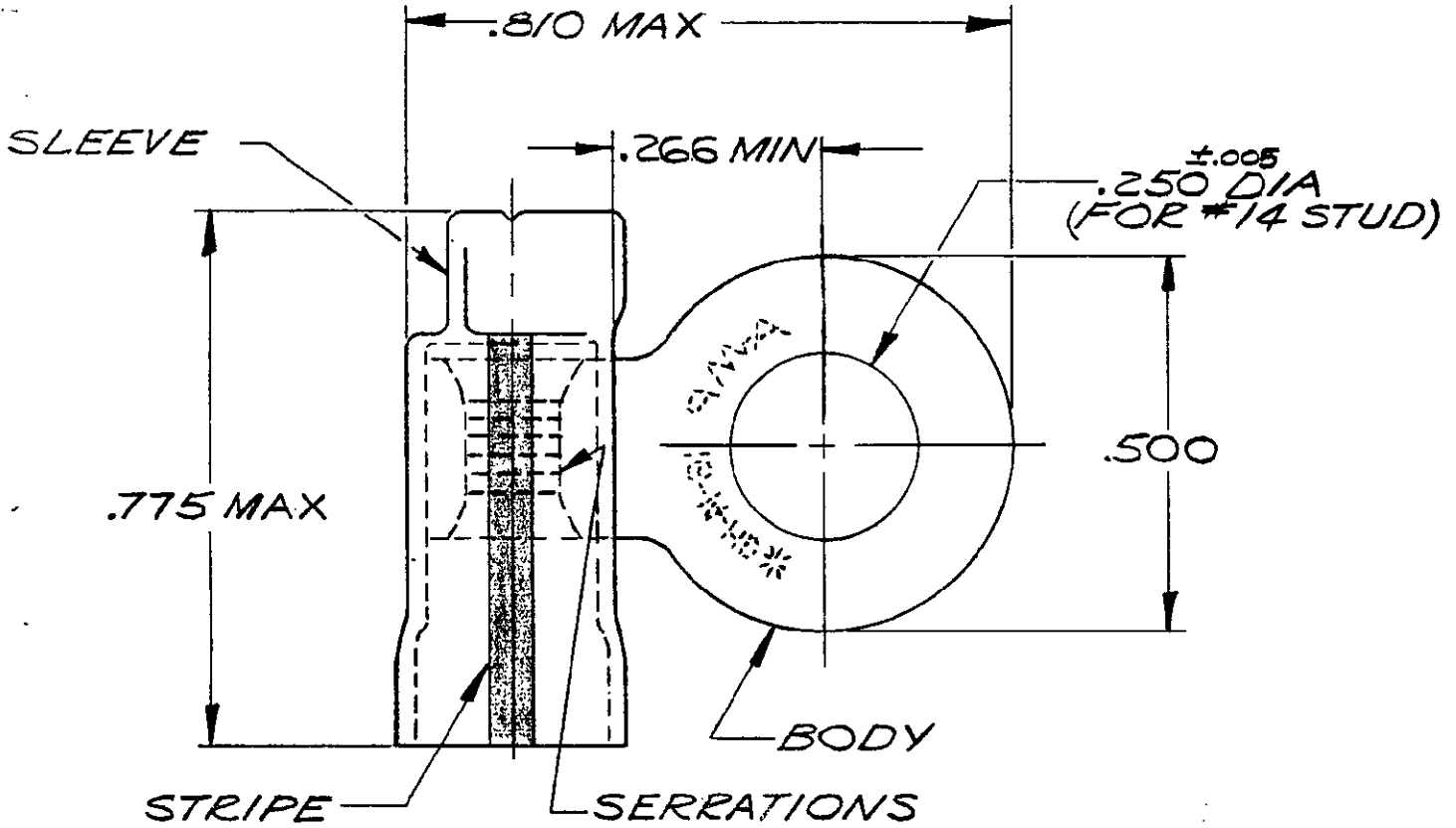


DRAWING MADE IN AMERICAN PROJECTION

LOC **G** PRINT DIST **14**

© 1954 BY AMP INCORPORATED. ALL RIGHTS RESERVED. AMP PRODUCTS COVERED BY PATENTS AND/OR PATENTS PENDING.

REVISIONS			
LTR	DESCRIPTION	DATE	APPROVED
E	REV/0L20-0085-97	11/13-97	ME/SB
C	REV/G-020492	LO 10/92	ME
D	REV/0720-0309-93	LO 9/93	ME



STRIPES
COLOR: BLACK

TONGUE MAT'L THK .048 ±.002

1	.320 MAX	322313-0	SLEEVE: PVC, COLOR: NATURAL
		OBSOLETE	
1	.150 - .230	322313	BODY: COPPER (QQ-C-576) TIN PLATE (MIL-T-10727)

QTY	FOR WIRE INS. DIA.	PART NO.	MATERIAL AND FINISH
-----	--------------------	----------	---------------------

UNLESS OTHERWISE SPECIFIED DIMENSIONS ARE IN INCHES TOLERANCES ON: DECIMALS ± .008 ANGLES ± 5°	CONTRACT NO.	AMP INCORPORATED HARRISBURG, PENNSYLVANIA		
	DR. <i>Stair Sink 4-17-69</i>	NAME WIRE TERMINAL PLASTI-GRIP-RING TONGUE-FLAG WIRE SIZE: 16-14 HD		
	CHK <i>H. Youngblood 4-17-69</i>			
	APPD <i>H. Youngblood 4-17-69</i>	SIZE	CODE IDENT NO.	NUMBER
	REL <i>M. Encarnacion</i>	A	00779	322313
MATERIAL SEE TABLE	DSGN APPD	SCALE 4:1	SHEET 1 OF 1	
	OTHER APPD	CUSTOMER DWG		

单击下面可查看定价，库存，交付和生命周期等信息

[>>TE Connectivity\(泰科\)](#)