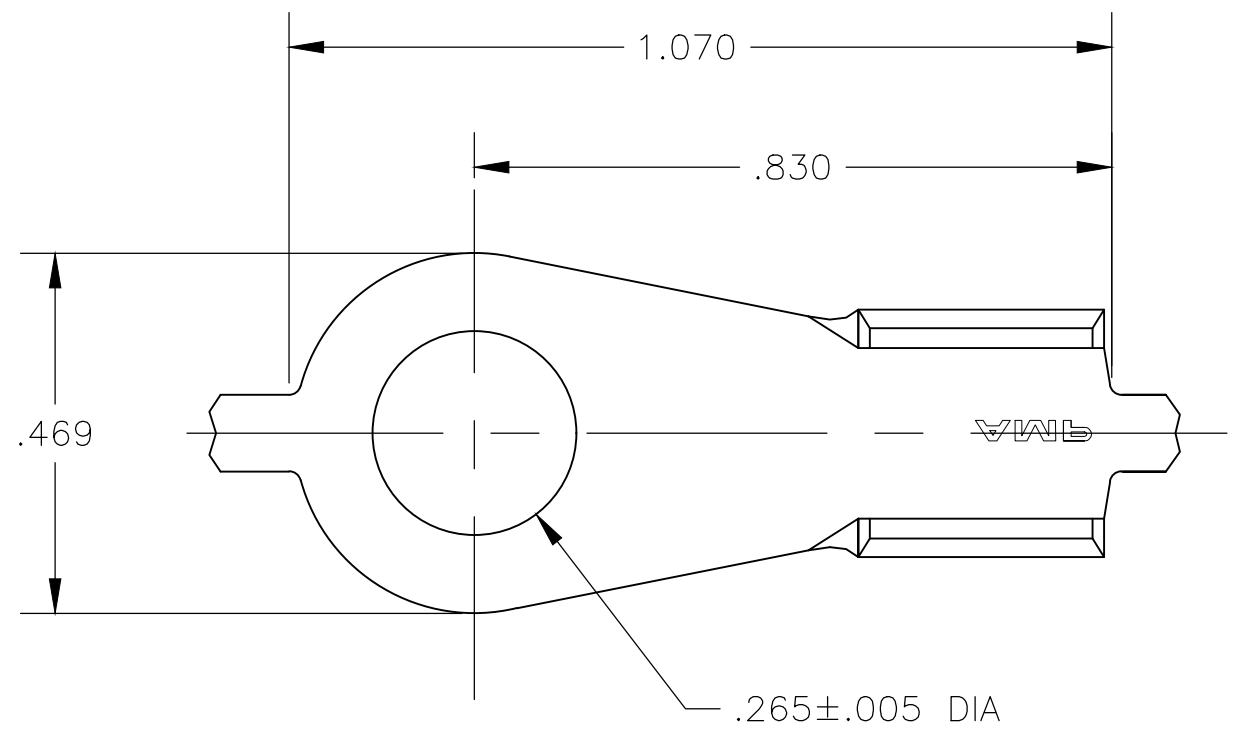
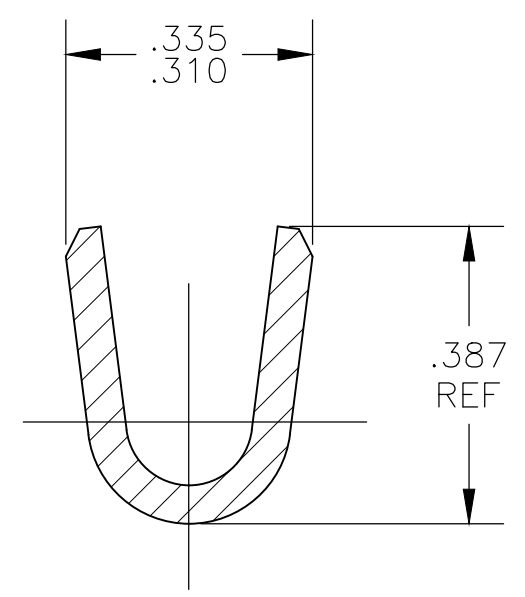
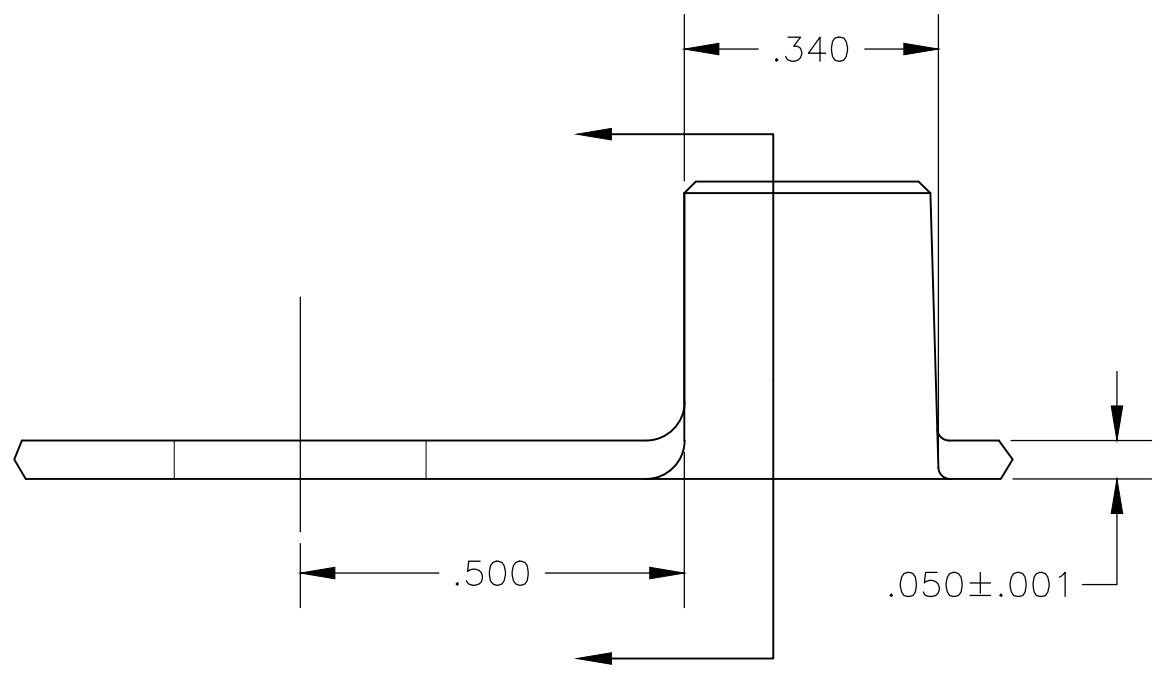


THIS DRAWING IS UNPUBLISHED. RELEASED FOR PUBLICATION
 © COPYRIGHT - By - ALL RIGHTS RESERVED.

LOC	DIST	REVISIONS			
P	LTR	DESCRIPTION	DATE	DWN	APVD
AF	50	B4	REVISED PER ECR-19-017984	27NOV2019	PC MK



- 1 CONTINUOUS STRIP ON REELS.
- △2 TIN PLATING
- △3 PRELIMINARY - NOT FOR PRODUCTION
- △4 SPLICE FREE REELS.
- 5 WIRE SIZE #10-#6



MATERIAL	PART NUMBER
OBSOLETE TEMP H00 COPPER	△3 1742456-3-△4
TEMP H00 COPPER	1742456-2
OBSOLETE 082 BRASS	△3 1742456-1

THIS DRAWING IS A CONTROLLED DOCUMENT.		DWN	JR RUTH	01AUG06	STE TE Connectivity													
DIMENSIONS: INCHES		CHK	D DECKER	01AUG06				NAME										
TOLERANCES UNLESS OTHERWISE SPECIFIED:		APVD	D DECKER	01AUG06				RING TONGUE										
<table border="0"> <tr><td>0 PLC</td><td>± -</td></tr> <tr><td>1 PLC</td><td>± -</td></tr> <tr><td>2 PLC</td><td>± -</td></tr> <tr><td>3 PLC</td><td>± .010</td></tr> <tr><td>4 PLC</td><td>± -</td></tr> <tr><td>ANGLES</td><td>± 1°</td></tr> </table>		0 PLC	± -	1 PLC				± -	2 PLC	± -	3 PLC	± .010	4 PLC	± -	ANGLES	± 1°	PRODUCT SPEC	
0 PLC	± -																	
1 PLC	± -																	
2 PLC	± -																	
3 PLC	± .010																	
4 PLC	± -																	
ANGLES	± 1°																	
MATERIAL SEE TABLE		FINISH		△2		SIZE	A3	CAGE CODE	00779	DRAWING NO	C-1742456							
CUSTOMER DRAWING						SCALE	4:1	SHEET	1 OF 1	REV	B4							

单击下面可查看定价，库存，交付和生命周期等信息

[>>TE Connectivity\(泰科\)](#)