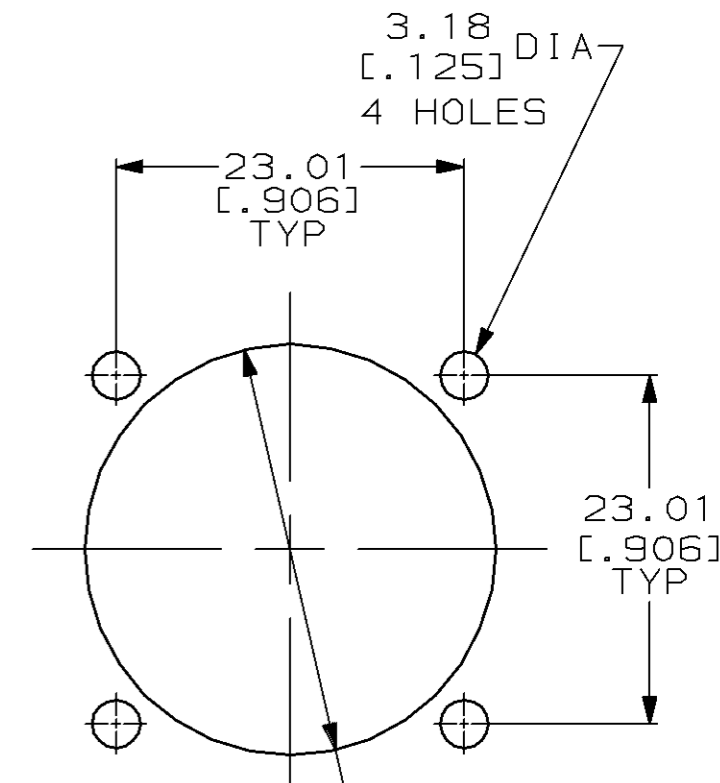
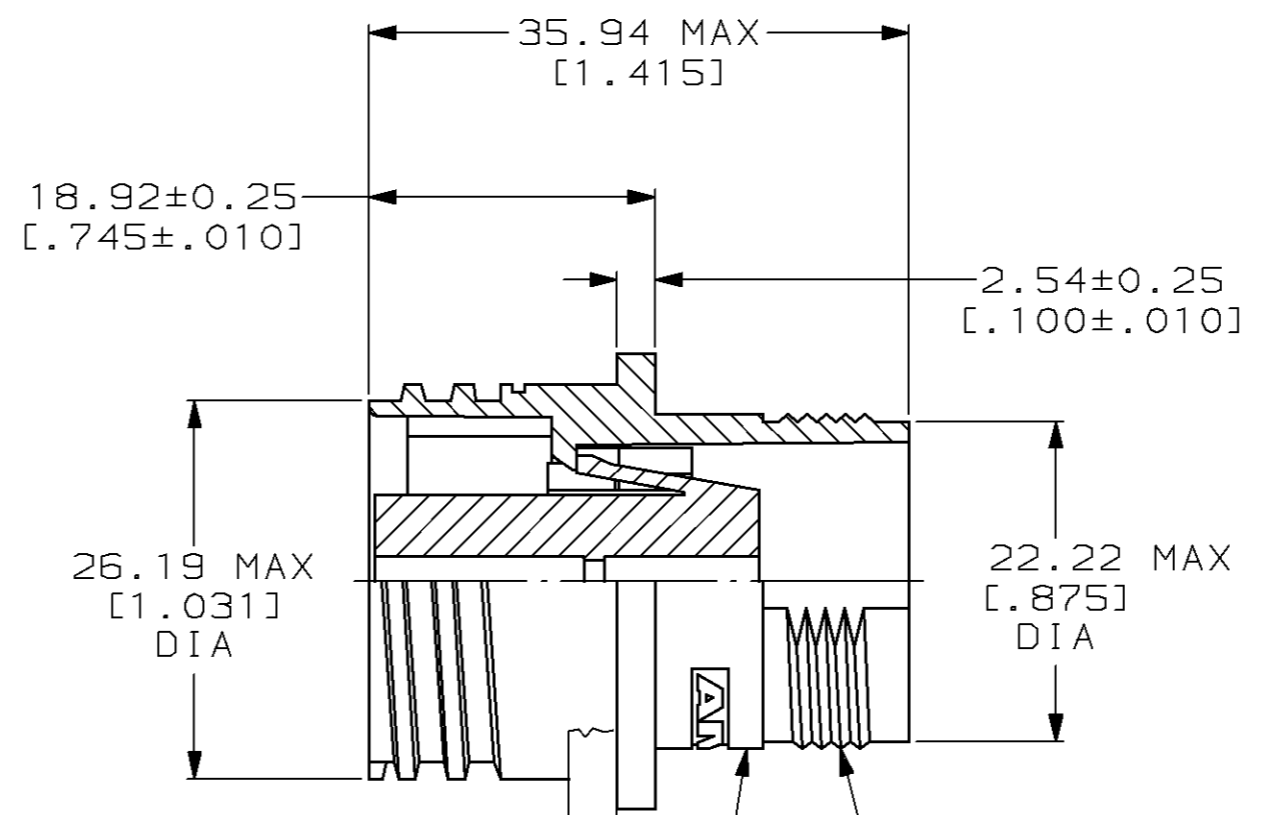
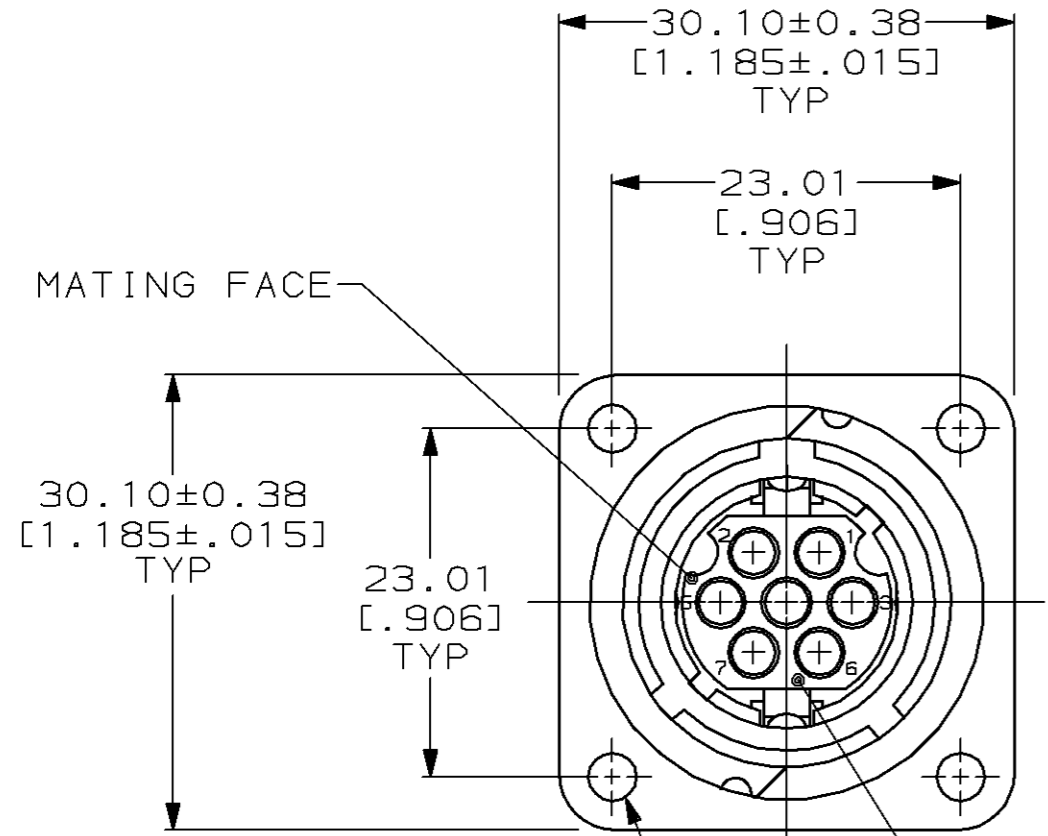


THIS DRAWING IS UNPUBLISHED. RELEASED FOR PUBLICATION, 19
 © COPYRIGHT 19 BY AMP INCORPORATED. ALL INTERNATIONAL RIGHTS RESERVED.

MOD	LOC	DIST	P	F	REVISIONS				
					ZONE	LTR	DESCRIPTION	DATE	APPD
4	BD	35				E	REDRAWN W/O CHANGE PER EC 0020-774-94	09/07/94	AF



3.18 [.125] DIA 4 HOLES

SOCKET HOUSING MATERIAL: THERMOPLASTIC COLOR: BLACK

RECEPTACLE SHELL MATERIAL: ZINC PER QQ-Z-363 FINISH: NICKEL PER QQ-N-290 OVER COPPER PER MIL-C-14550

SUGGESTED PANEL CUTOUT

- THIS CONNECTOR ACCEPTS SEVEN (7) SIZE 16 MULTIMATE SOCKET CONTACTS. MAXIMUM WIRE INSULATION DIA = 2.67 [.105].
- RECEPTACLE MATES WITH AMP PART NUMBER 208716-1.
- AMP PART NUMBER & DATE CODE TO BE LOCATED ON EDGE OF FLANGE.

THIS DRAWING IS A CONTROLLED DOCUMENT FOR AMP INCORPORATED. IT IS SUBJECT TO CHANGE AND THE CONTROLLING ENGINEERING ORGANIZATION SHOULD BE CONTACTED FOR THE LATEST REVISION.

DO NOT SCALE PRINT. UNLESS SPECIFIED DIMENSIONS IN mm [INCHES] TOLERANCES ON: 2 PLC DEC ± 0.13 [.005] 3 PLC DEC ± - ANGLES ± -		DR 09-07-94 D.HARDY	AMP Incorporated Harrisburg, PA 17105-3608
MATERIAL SEE CALLOUTS		CHK 09-09-94 R.STONE	
FINISH SEE CALLOUTS		APPD 09-30-94 A.FRANTUM	NAME RECEPTACLE ASSEMBLY, 14-7, REVERSE SEX, CMC
		APPD 09-30-94 A.FRANTUM	SIZE B
		PRODUCT SPEC -	CAGE CODE 00779
		APPLICATION SPEC -	DRAWING NO C-208717
		WEIGHT -	SCALE 2:1
			SHEET 1 OF 1

208717-1
PART NO

单击下面可查看定价，库存，交付和生命周期等信息

[>>TE Connectivity\(泰科\)](#)