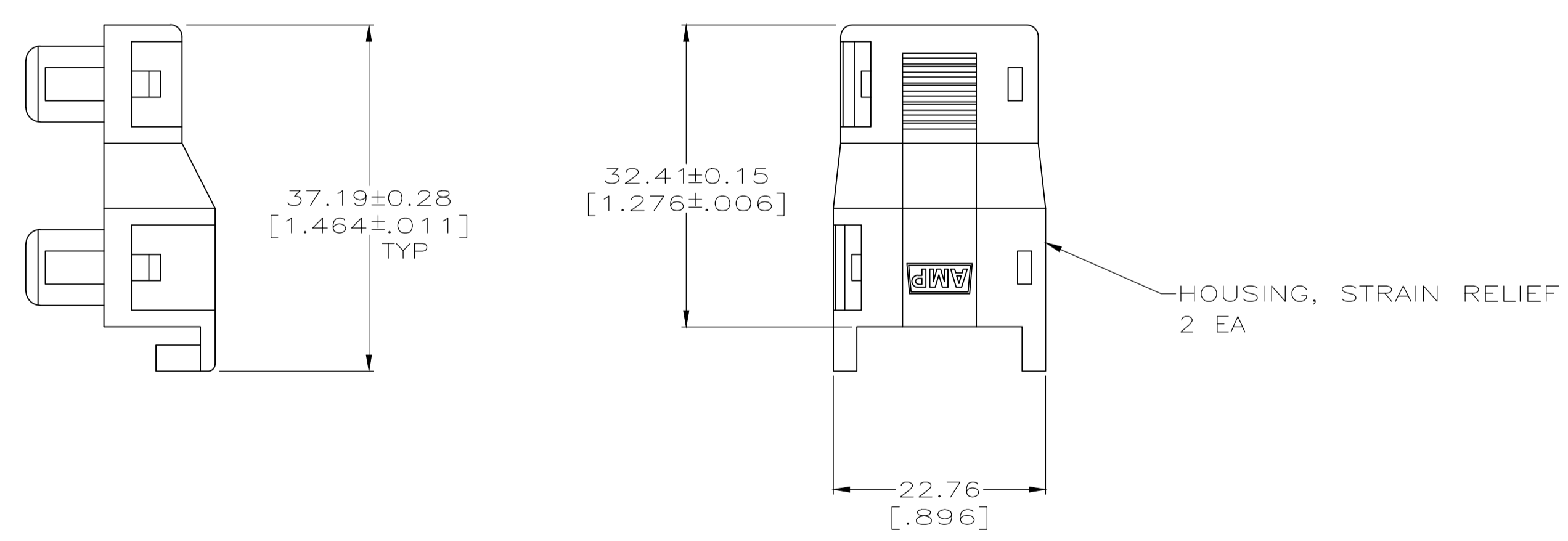
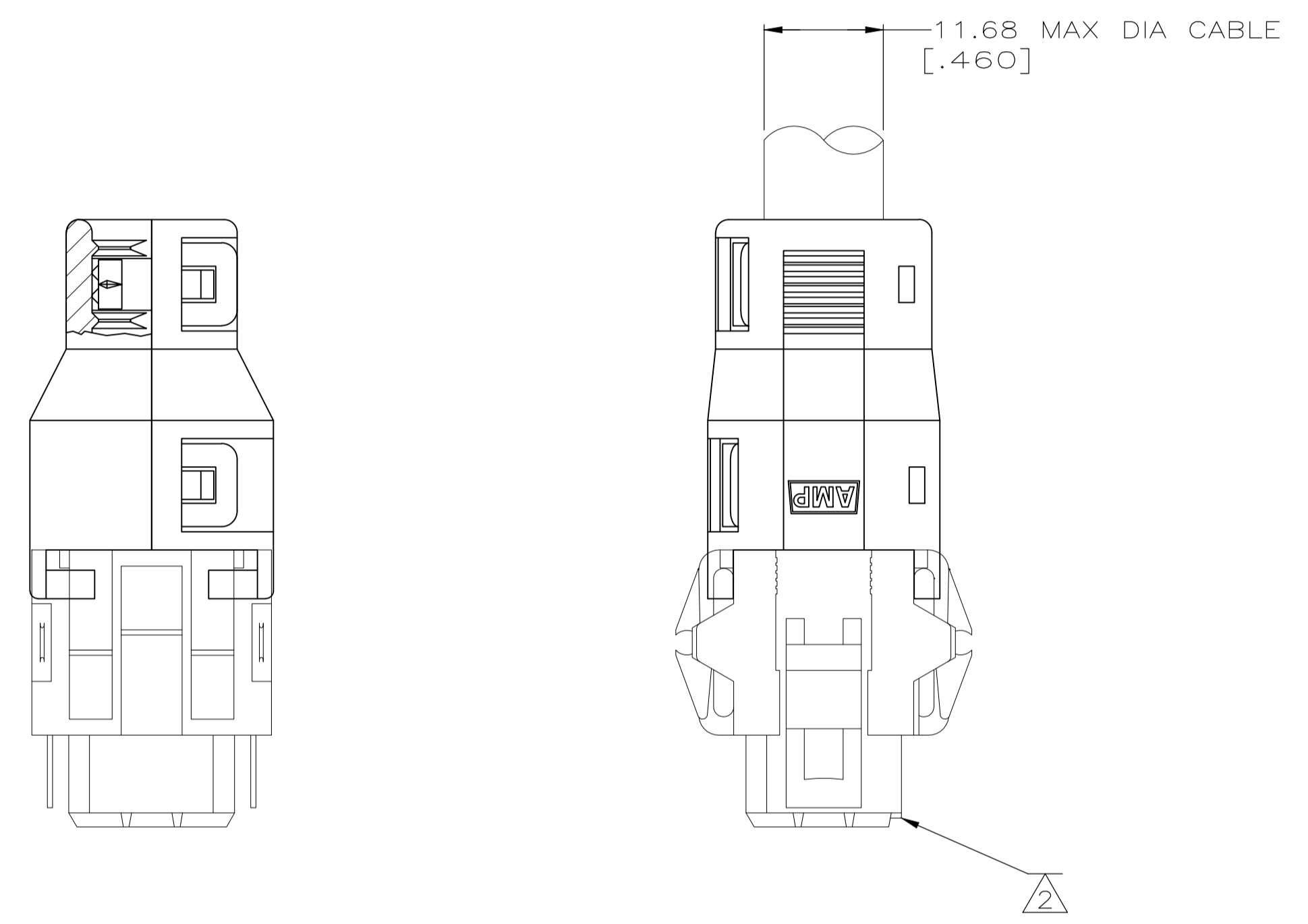
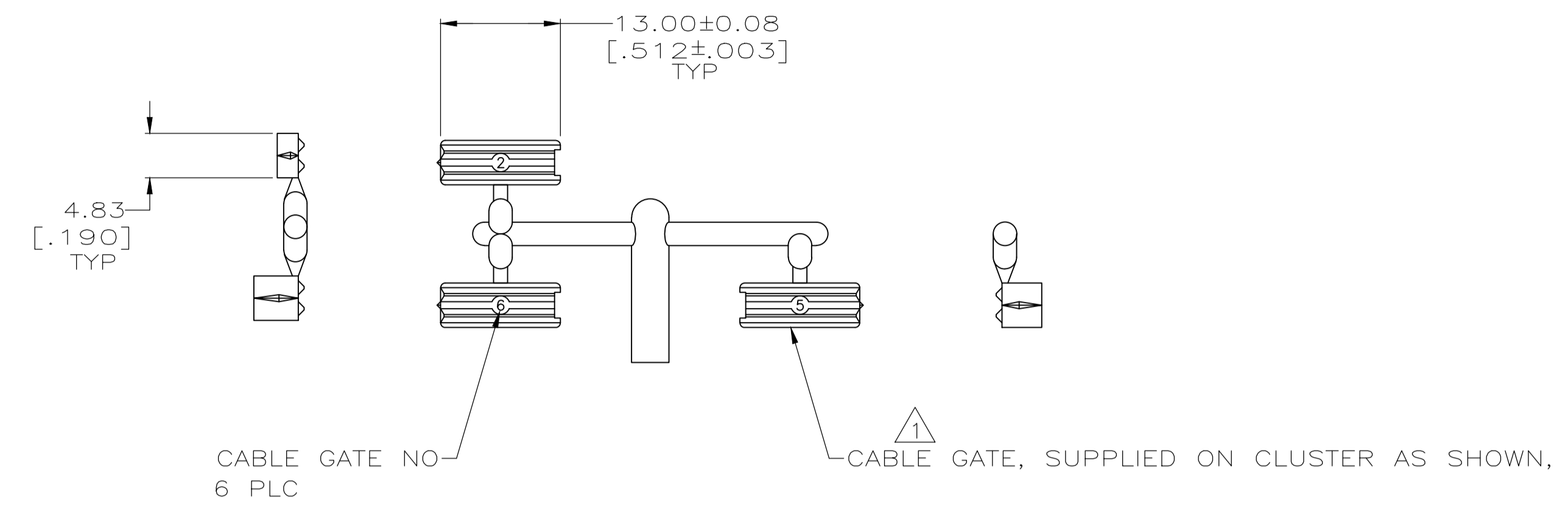
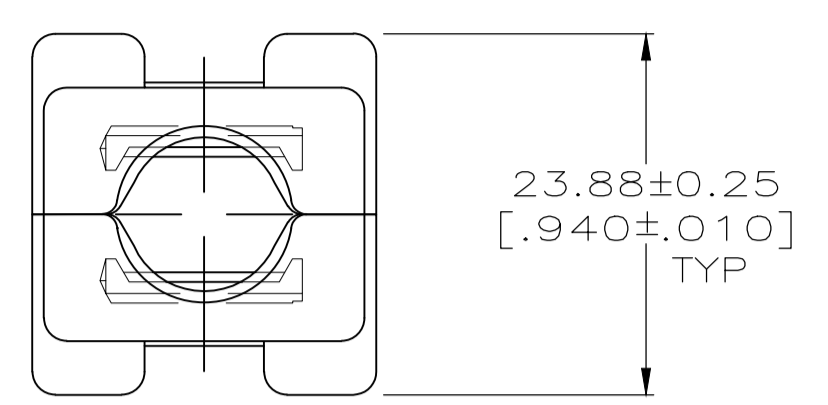


REVISIONS				
P	LTR	DESCRIPTION	DATE	OWN / APVD
E		REVISED PER ECO-20-002047	20FEB2020	RK / MZ



- ⚠ A VARIETY OF CABLE GATES ARE PROVIDED TO ACCOMMODATE A VARIETY OF CUSTOMER CABLE SIZES.
- ⚠ PLUG SHOWN FOR REFERENCE ONLY, STRAIN RELIEF CAN BE USED ON EITHER PLUG OR RECEPTACLE.
- ⚠ HOUSING MATERIAL: PA66, BLACK, UL 94 V-0 RATED.

THIS DRAWING IS A CONTROLLED DOCUMENT.		DIN J. McCLINTON 1-27-92		207601-1 PART NUMBER	
DIMENSIONS: INCHES		TOLERANCES UNLESS OTHERWISE SPECIFIED:		TE Connectivity	
0. PLC ± -		1. PLC ± -		NAME	
1. PLC ± -		2. PLC ± 0.13[.005]		PRODUCT SPEC	
2. PLC ± -		3. PLC ± -		108-10033	
3. PLC ± -		4. PLC ± -		APPLICATION SPEC	
4. PLC ± -		ANGLES ± -		SIZE	
MATERIAL		FINISH		CAGE CODE	
⚠		-		DRAWING NO	
				A1 00779 C=207601	
				RESTRICTED TO	
				CUSTOMER DRAWING	
				SCALE 2:1 SHEET 1 OF 1 REV E	

单击下面可查看定价，库存，交付和生命周期等信息

[>>TE Connectivity\(泰科\)](#)