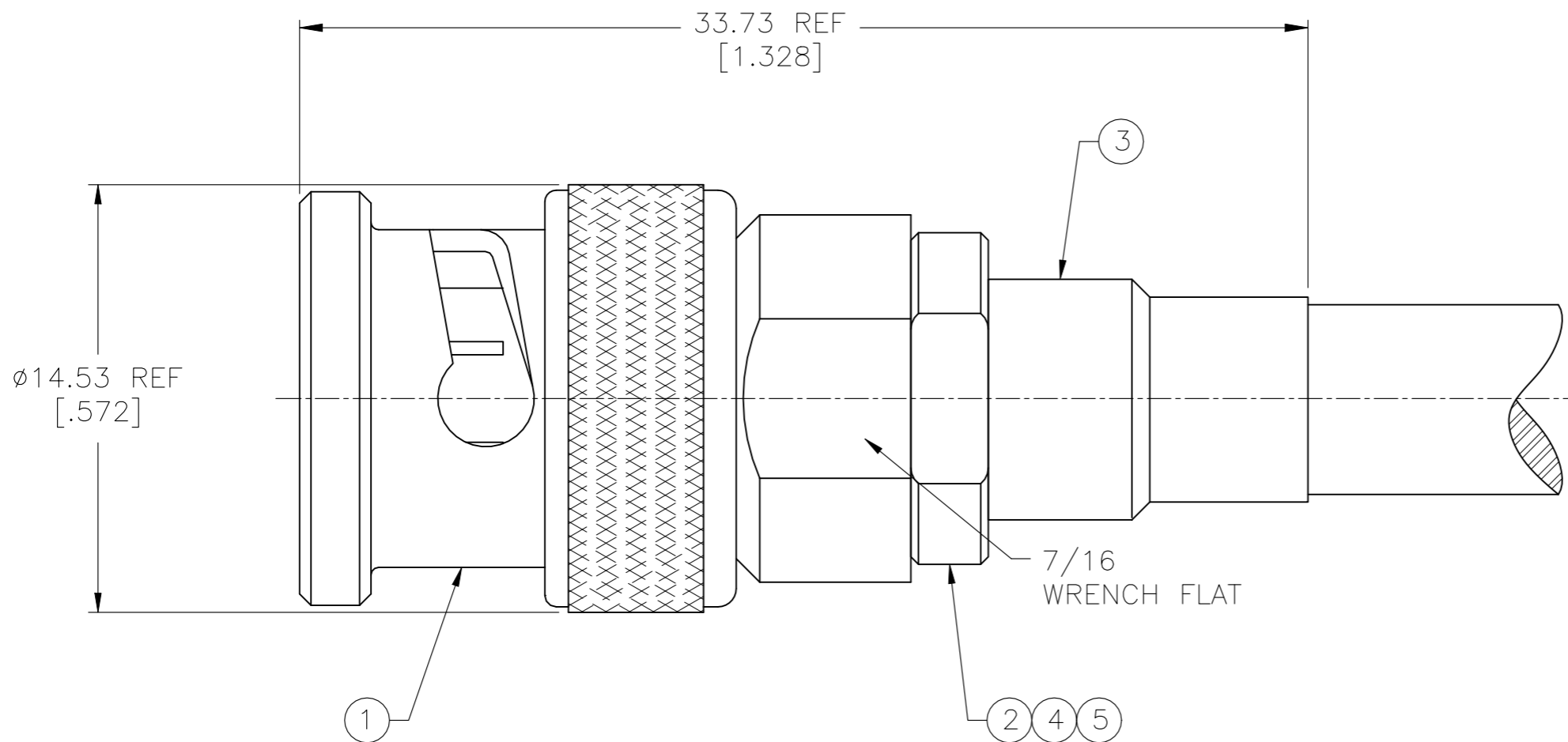


REVISIONS					
P	LTR	DESCRIPTION	DATE	DWN	APVD
	A2	REVISED PER ECN-21-122181	26OCT2021	RZ	WK



- USE PRO-CRIMPER 354940-1 WITH DIE SET 91909-1.
 - SEE INSTRUCTION SHEET 408-2055.
 - PARTS PACKAGED UNASSEMBLED.
- △ 4 OBSOLETE PARTS: OBSOLETE CIS STREAMLINING PER D.RENAUD/D.SINISI

△ 4	OBSOLETE	ROLM 49D2401 TWINAX	332214	332222-1	9-332224-0	1-332221-5	5-330949-0	5332225-6
		RG 108/U & 108A/U	332214	332222-1	9-332224-0	1-332221-4	5-330949-0	5332225-5
△ 4	OBSOLETE	TROMPETER TWC-124-2	332214	332222	9-332224-1	1-332221-3	2-330949-2	5332225-3
		RG 108/U & 108A/U	332214	332222	9-332224-1	332221	2-330949-2	5332225
		FOR USE WITH CABLE	⑤ SEAL QTY=1	④ DIELECTRIC QTY=1	③ FERRULE QTY=1	② CRIMP END QTY=1	① PLUG ASSY QTY=1	PART NO.

THIS DRAWING IS A CONTROLLED DOCUMENT.

DIMENSIONS: mm [INCHES]	TOLERANCES UNLESS OTHERWISE SPECIFIED:	DWN L. VARELA - 21APR2005	STE TE Connectivity	
	0 PLC ± - 1 PLC ± - 2 PLC ± - 3 PLC ± - 4 PLC ± - ANGLES ± 1°	CHK J. HAVENER - 21APR2005		
MATERIAL	FINISH	APVD J. LIPPERT - 21APR2005	NAME PLUG, TWIN BNC	
		PRODUCT SPEC	SIZE	CAGE CODE
		APPLICATION SPEC	DRAWING NO	RESTRICTED TO
		WEIGHT 0.000000	A3	00779
		CUSTOMER DRAWING	C=5332225	SCALE 5:1
				SHEET 1 OF 1
				REV A2

单击下面可查看定价，库存，交付和生命周期等信息

[>>TE Connectivity\(泰科\)](#)