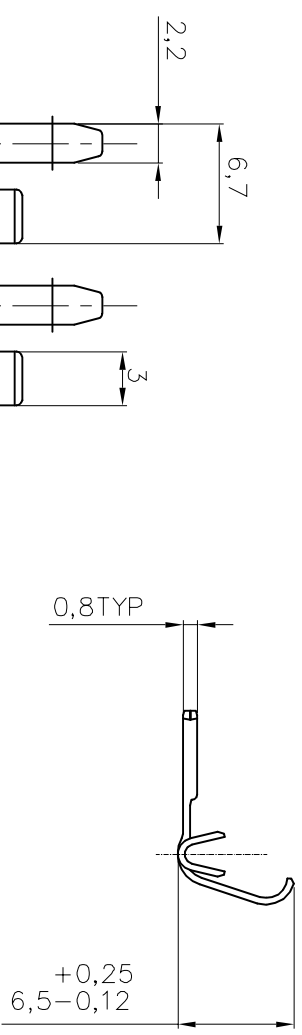
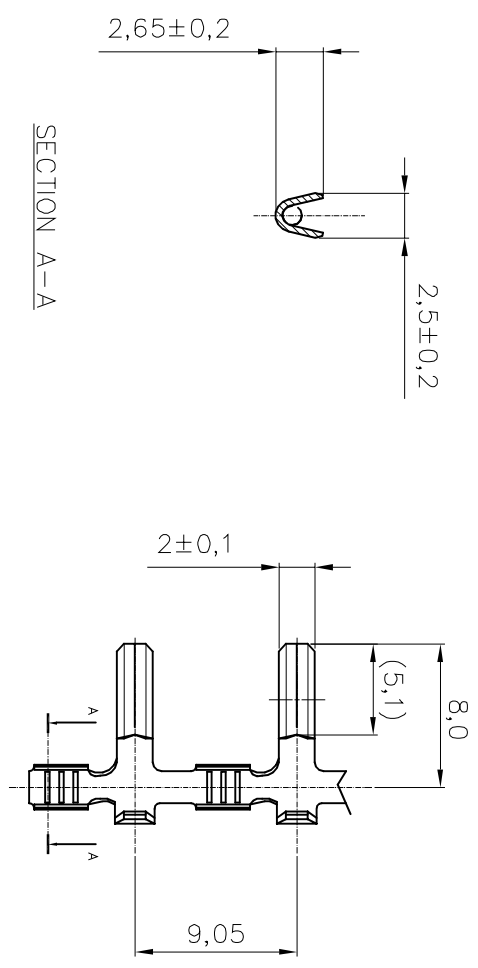
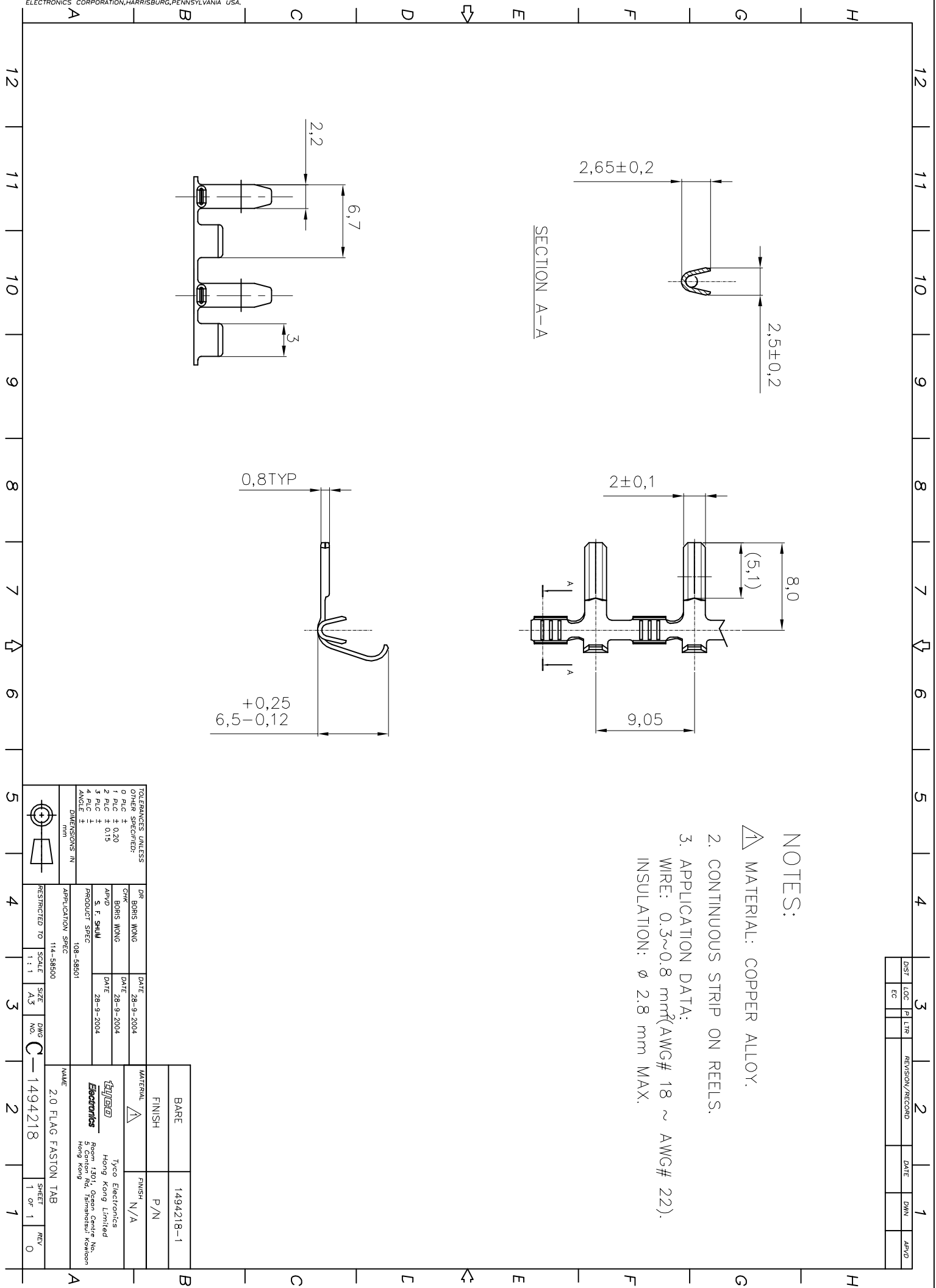


DIST	LOC	P LTR	REVISION/RECORD	DATE	DWN	APVD
	EC					

- NOTES:
- 1. MATERIAL: COPPER ALLOY.
 - 2. CONTINUOUS STRIP ON REELS.
 - 3. APPLICATION DATA:
WIRE: 0.3~0.8 mm²(AWG# 18 ~ AWG# 22).
INSULATION: ϕ 2.8 mm MAX.



TOLERANCES UNLESS OTHER SPECIFIED: 0 PLC ± 0.20 1 PLC ± 0.15 2 PLC ± 0.13 3 PLC ± 0.11 ANGLE ±		DR BORN WONG DATE 28-9-2004	CTR BORN WONG DATE 28-9-2004	APVD F. SHUM DATE 28-9-2004	PRODUCT SPEC 108-58801	APPLICATION SPEC 114-58800	RESTRICTED TO SCALE 1:1	SIZE A3	DWG NO. C-1494218	SHEET 1 OF 1	REV 0
BARE FINISH		DATE 28-9-2004		DATE 28-9-2004		DATE 28-9-2004		NAME 2.0 FLAG FASTON TAB		Tyco Electronics Hong Kong Limited Room 1301, Ocean Centre No. 5 Canton Rd, Tsimshoai Kowloon Hong Kong	
MATERIAL Δ		FINISH N/A		DR BORN WONG		CTR BORN WONG		APVD F. SHUM		PRODUCT SPEC 108-58801	



单击下面可查看定价，库存，交付和生命周期等信息

[>>TE Connectivity\(泰科\)](#)