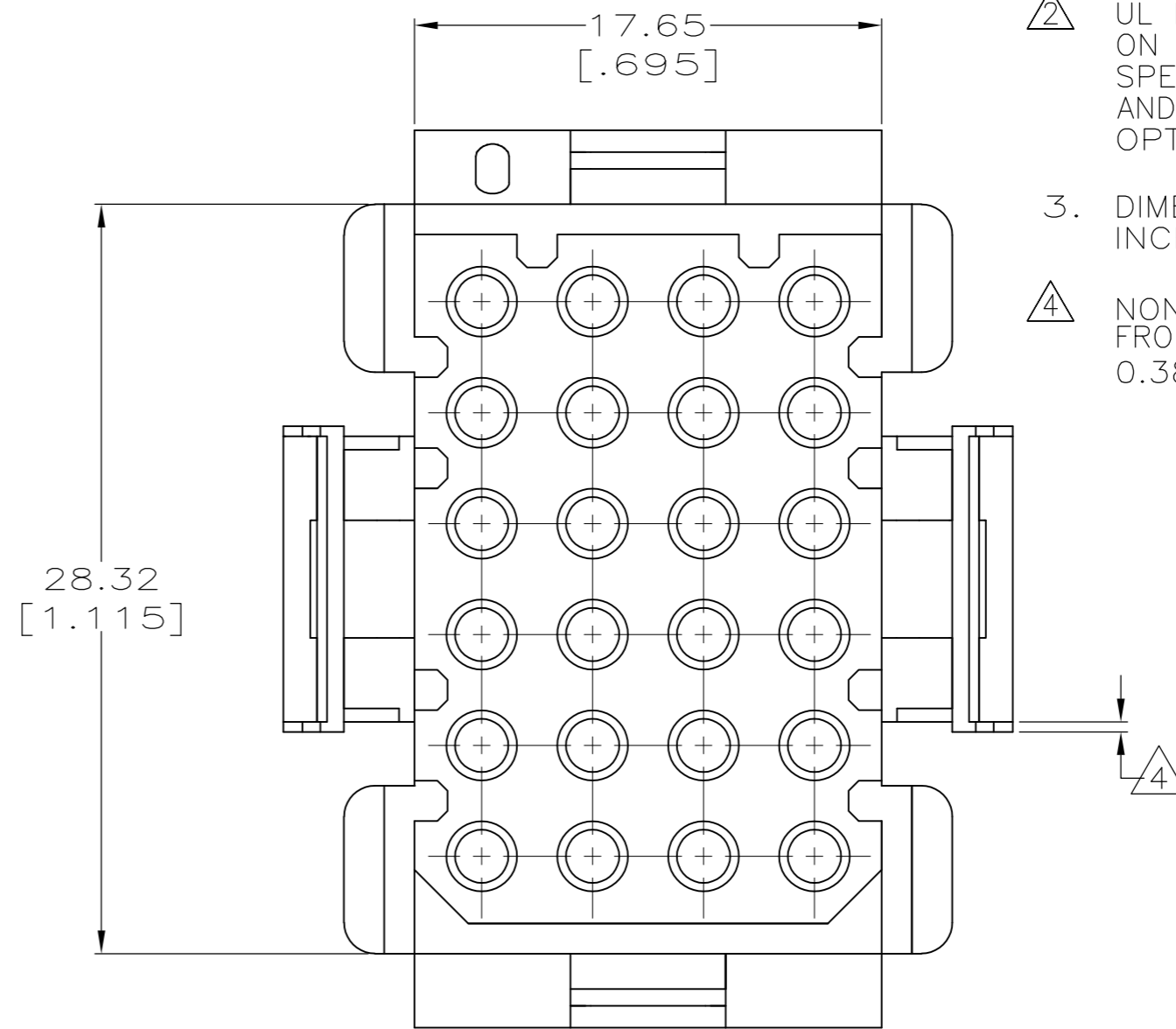
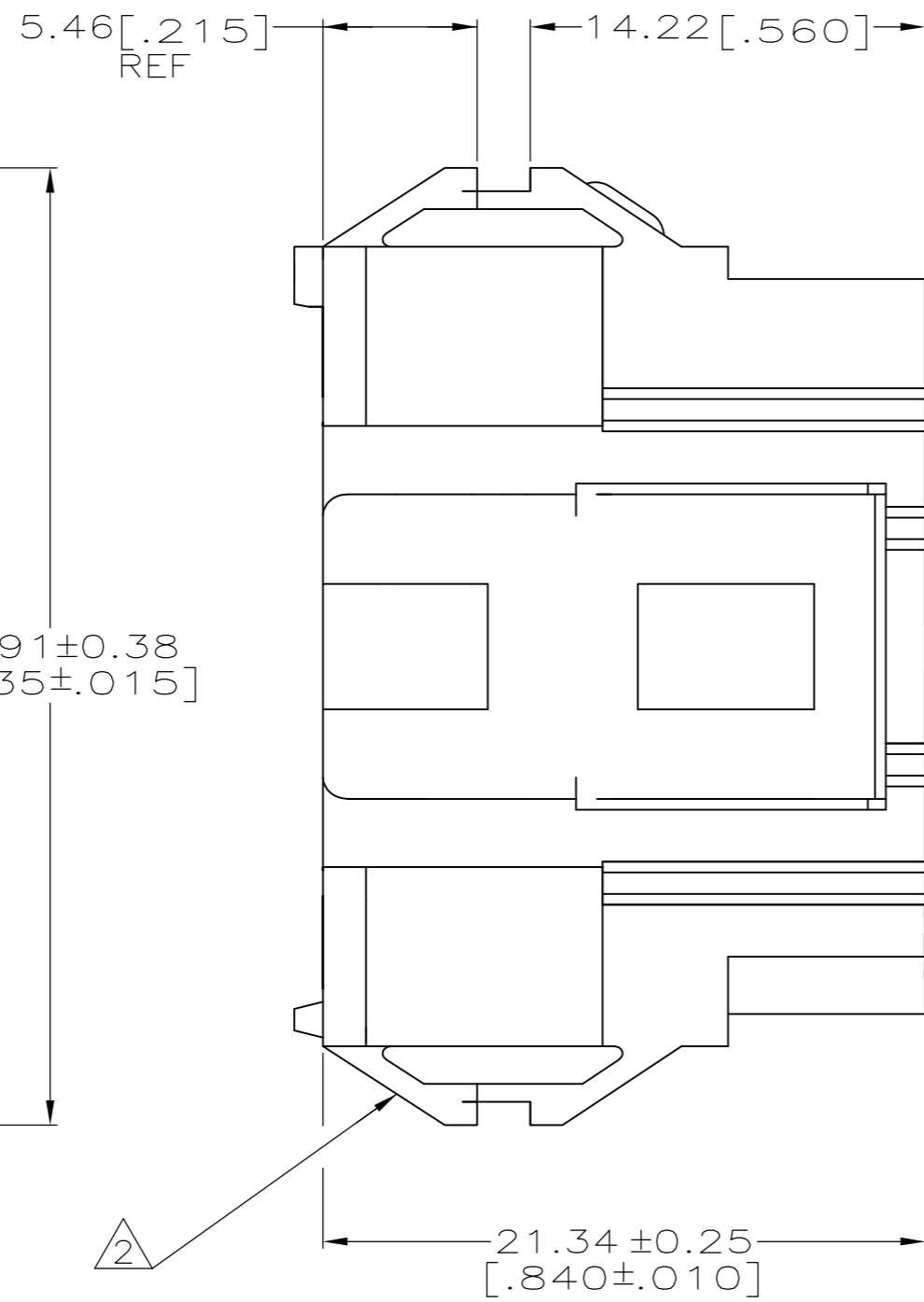
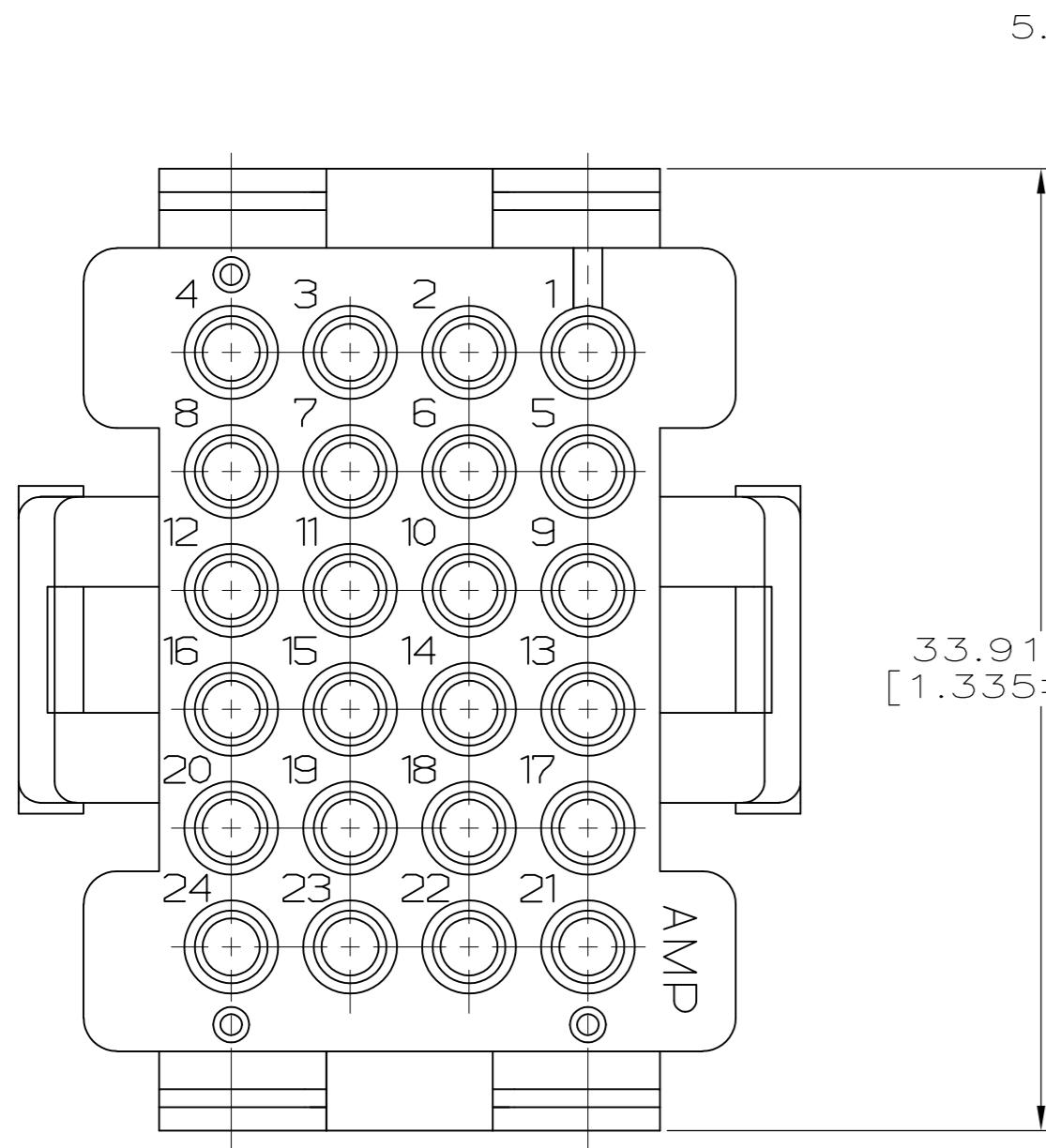
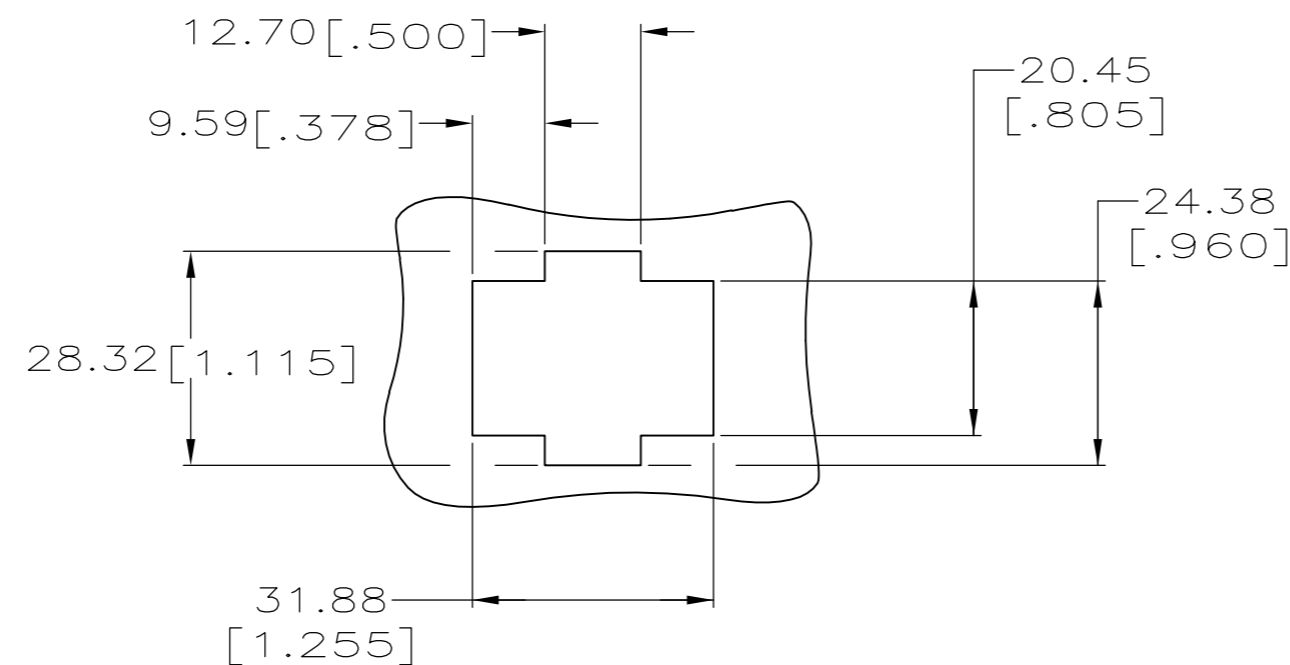
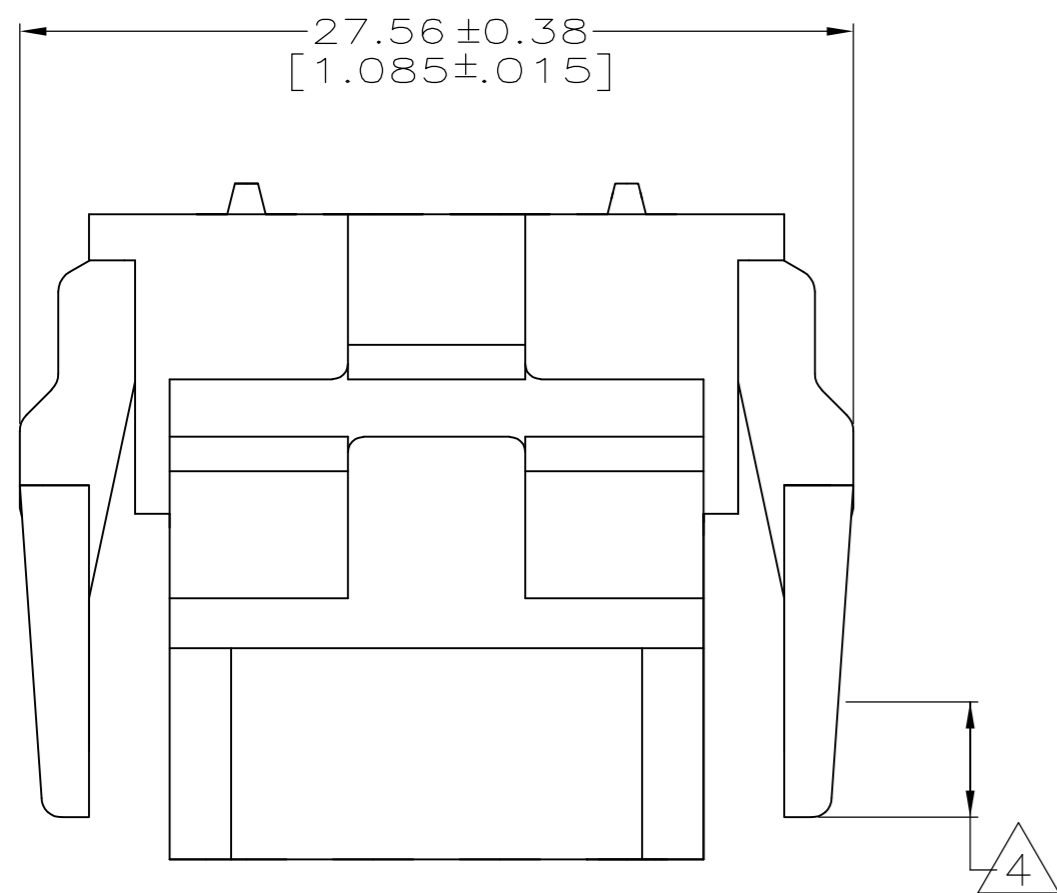


THIS DRAWING IS UNPUBLISHED. RELEASED FOR PUBLICATION  
 © COPYRIGHT - By - ALL RIGHTS RESERVED.

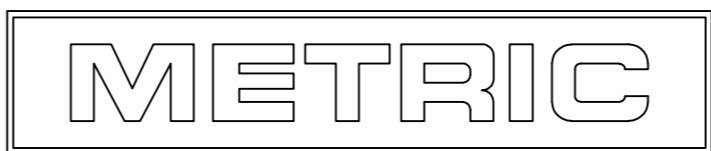
LOC		DIST		REVISIONS			
P	LTR	DESCRIPTION		DATE	DWN	APVD	
CM	52	E1	REVISED PER ECO-11-004917		11MAR11	RK	HMR



- MATES WITH HOUSING 640515.
- UL LOGO AND CSA LOGO TO APPEAR ON EITHER LATCH SURFACE PER AMP SPEC 202-20, I.D. NO. 1-18838-3 AND 1-18839-3. FROST BACKGROUND OPTIONAL.
- DIMENSIONS IN BRACKETS ARE IN INCHES.
- NON-FILL PERMITTED UP TO 3.8[.15] FROM EDGE OF LATCH ARM ON THE 0.38[.015] THICK FLANGE, 4 PLC.



RECOMMENDED CUT OUT  
 FOR 1.73[.068] MAX THICK PANEL  
 SCALE 1:1



1-640525-0  
 PART NUMBER

THIS DRAWING IS A CONTROLLED DOCUMENT.		DWN	R. VESTAL	12-01-97	<b>TE</b> TE Connectivity		
DIMENSIONS: mm [INCHES]		CHK	R. SWING	12-01-97			
TOLERANCES UNLESS OTHERWISE SPECIFIED:		APVD	A. BEDDICK	12-01-97	NAME		
0 PLC	± -	PRODUCT SPEC		HOUSING, PLUG			
1 PLC	± -	APPLICATION SPEC		MRII			
2 PLC	± 0.13[.005]	WEIGHT		24 POSITION			
3 PLC	± -	MATERIAL		SIZE			
4 PLC	± -	FINISH		CAGE CODE			
ANGLES	± 0° 30'	CUSTOMER DRAWING		DRAWING NO			
MATERIAL: NYLON, UL 94V-0, NATURAL (BRICK RED)		SCALE		RESTRICTED TO			
		4:1		A2 00779 C-640525			
		SHEET		REV			
		1 OF 1		E1			

单击下面可查看定价，库存，交付和生命周期等信息

[>>TE Connectivity\(泰科\)](#)