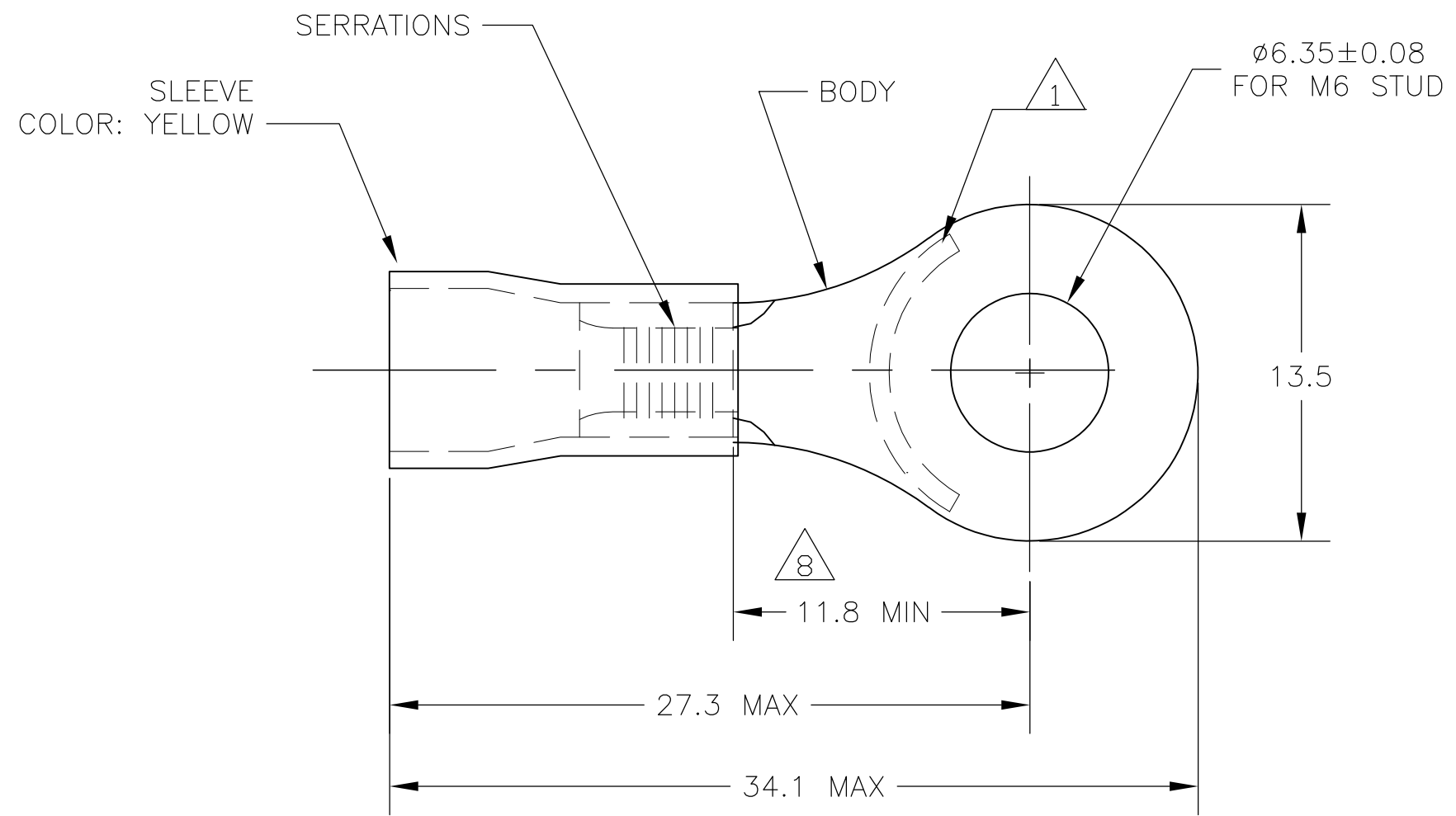


THIS DRAWING IS UNPUBLISHED. RELEASED FOR PUBLICATION
 © COPYRIGHT BY TYCO ELECTRONICS CORPORATION. ALL RIGHTS RESERVED.

LOC	DIST	REVISIONS					
G	14	P	LTR	DESCRIPTION	DATE	DWN	APVD
		B		REV PER ECR 08-028314	19NOV08	JR	TM



- 1 STAMP "AMP 12-10*", LOCATION APPROX AS SHOWN.
- 2 WIRE INSULATION DIA 3.8-6.4
- 3 OPERATING TEMPERATURE 90°C MAX
- 4 VOLTAGE RATING 600V MAX
- 5 CMA 2.62-6.64mm² [5,180-13,100]
- 6 MATERIAL:
BODY - COPPER PER ASTM B-152
INSULATION - PVC
- 7 FINISH:
BODY - TIN PL PER ASTM B-545
INSULATION - COLOR-YELLOW
- 8 APPLIES FROM EDGE OF METAL WIRE BARREL TO CENTER OF STUD HOLE.
- 9 MATERIAL THICKNESS IS 1.00±0.05

LOOSE PIECE	160294
PACKAGE TYPE	PART NO

THIS DRAWING IS A CONTROLLED DOCUMENT.		DWN	jr_ruth	19NOV08	Tyco Electronics Corporation Harrisburg, PA 17105-3608
DIMENSIONS: MM INCHES		CHK	T MICHIELUTTI	19NOV08	
TOLERANCES UNLESS OTHERWISE SPECIFIED:		APVD	T MICHIELUTTI	19NOV08	
0 PLC ± - 1 PLC ± - 2 PLC ± 0.20 3 PLC ± - 4 PLC ± - ANGLES ± 5°		PRODUCT SPEC		NAME	
MATERIAL		APPLICATION SPEC		SIZE	A3 00779 C-160294
FINISH		WEIGHT		CAGE CODE	
		CUSTOMER DRAWING		DRAWING NO	
				RESTRICTED TO	
				SCALE	4:1
				SHEET	1 OF 1
				REV	B

单击下面可查看定价，库存，交付和生命周期等信息

[>>TE Connectivity\(泰科\)](#)