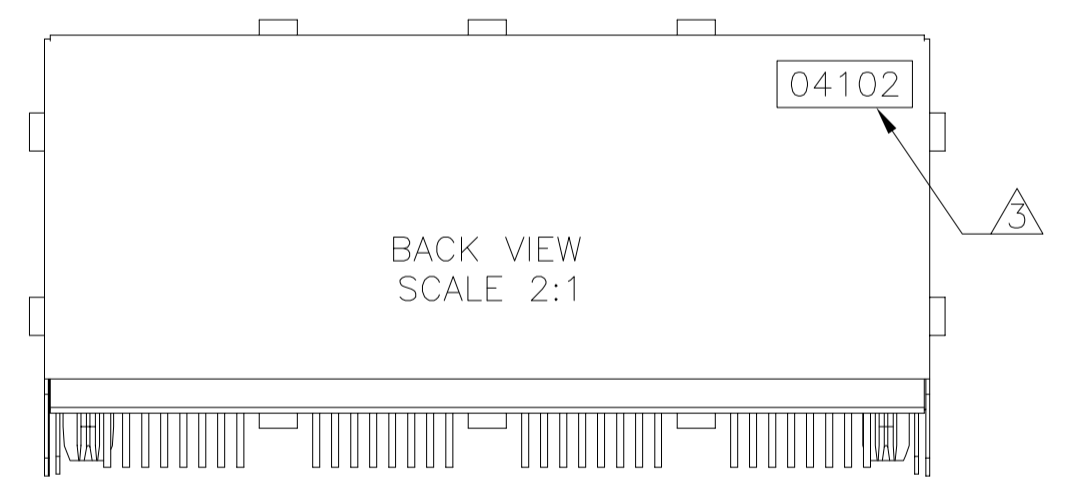
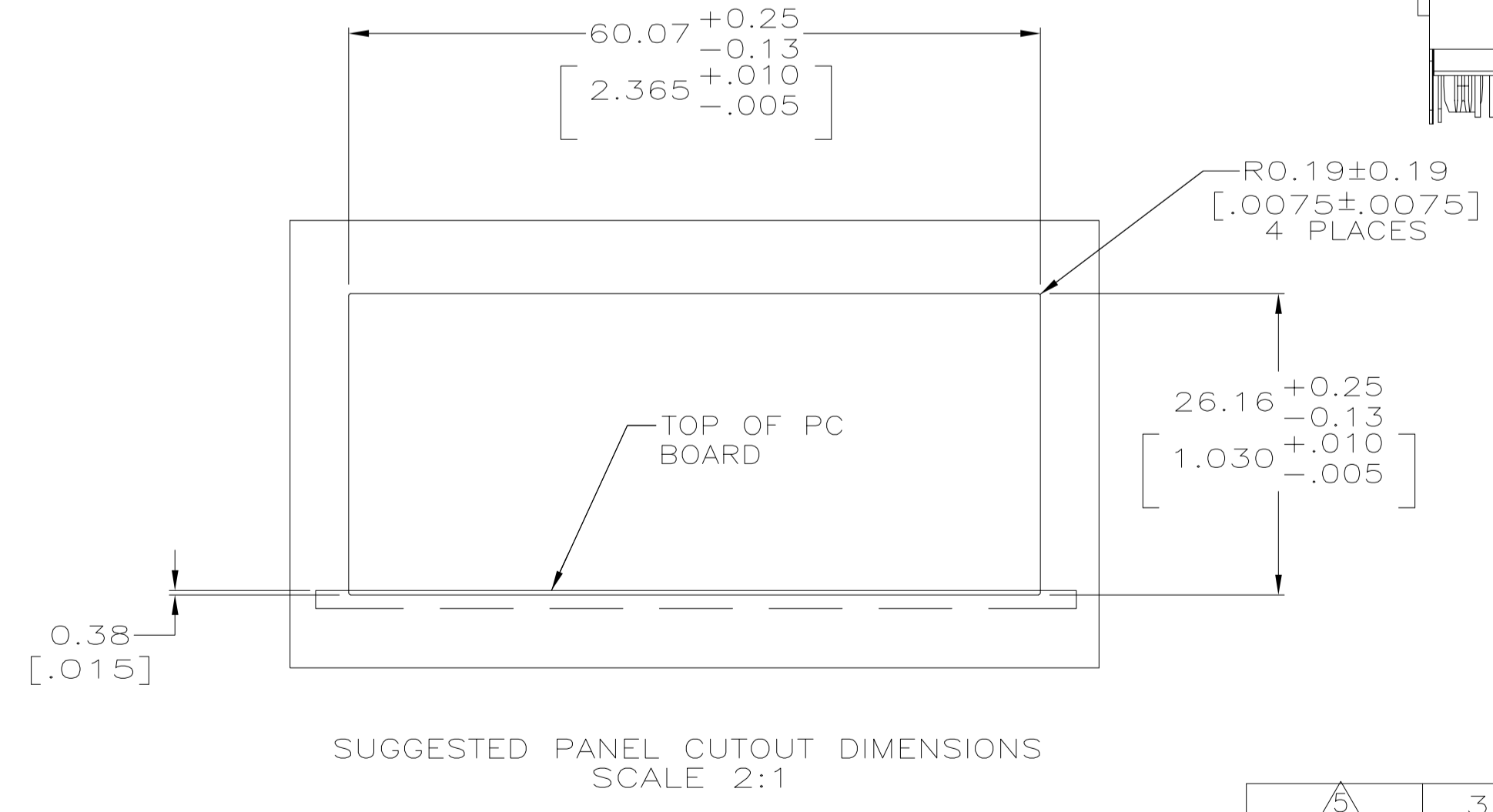
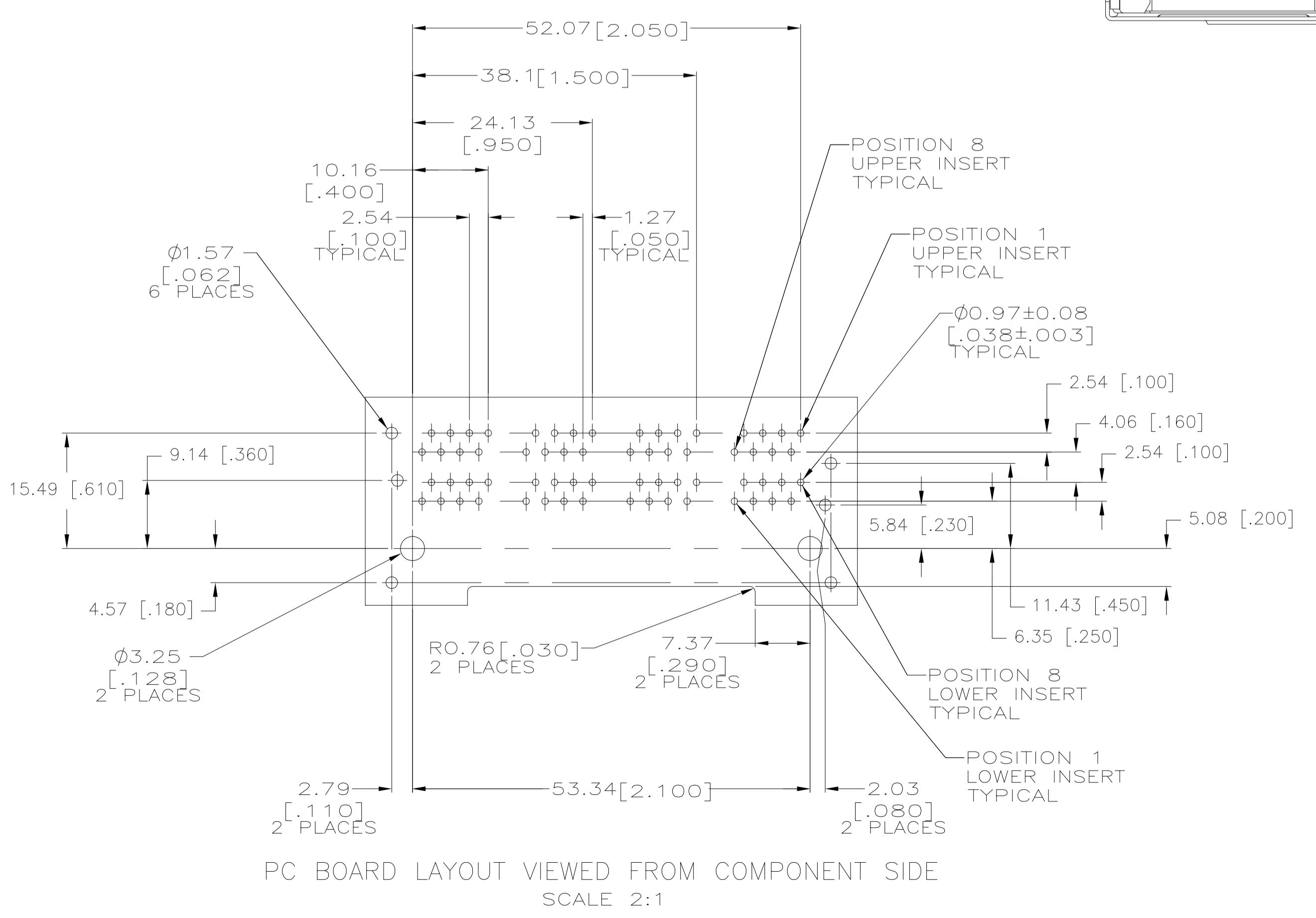
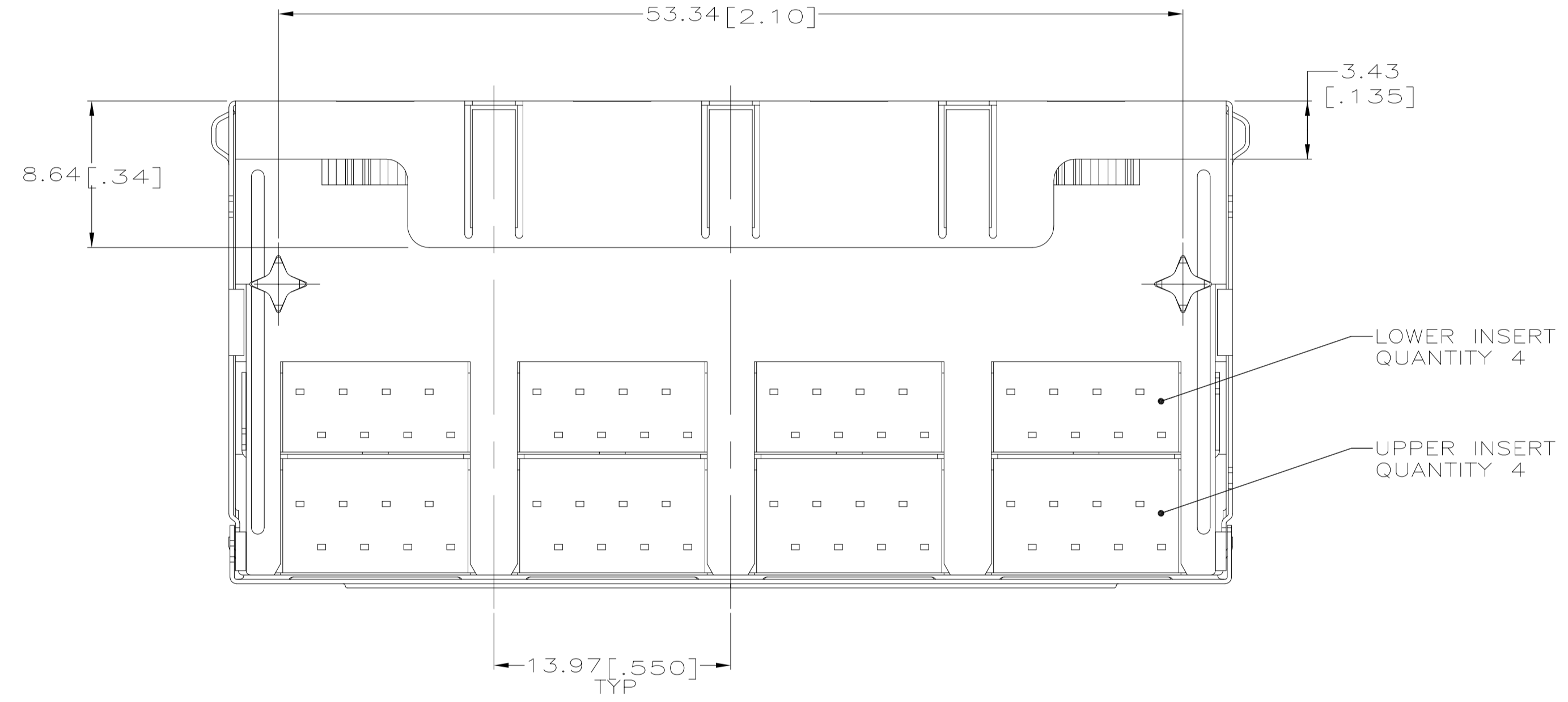
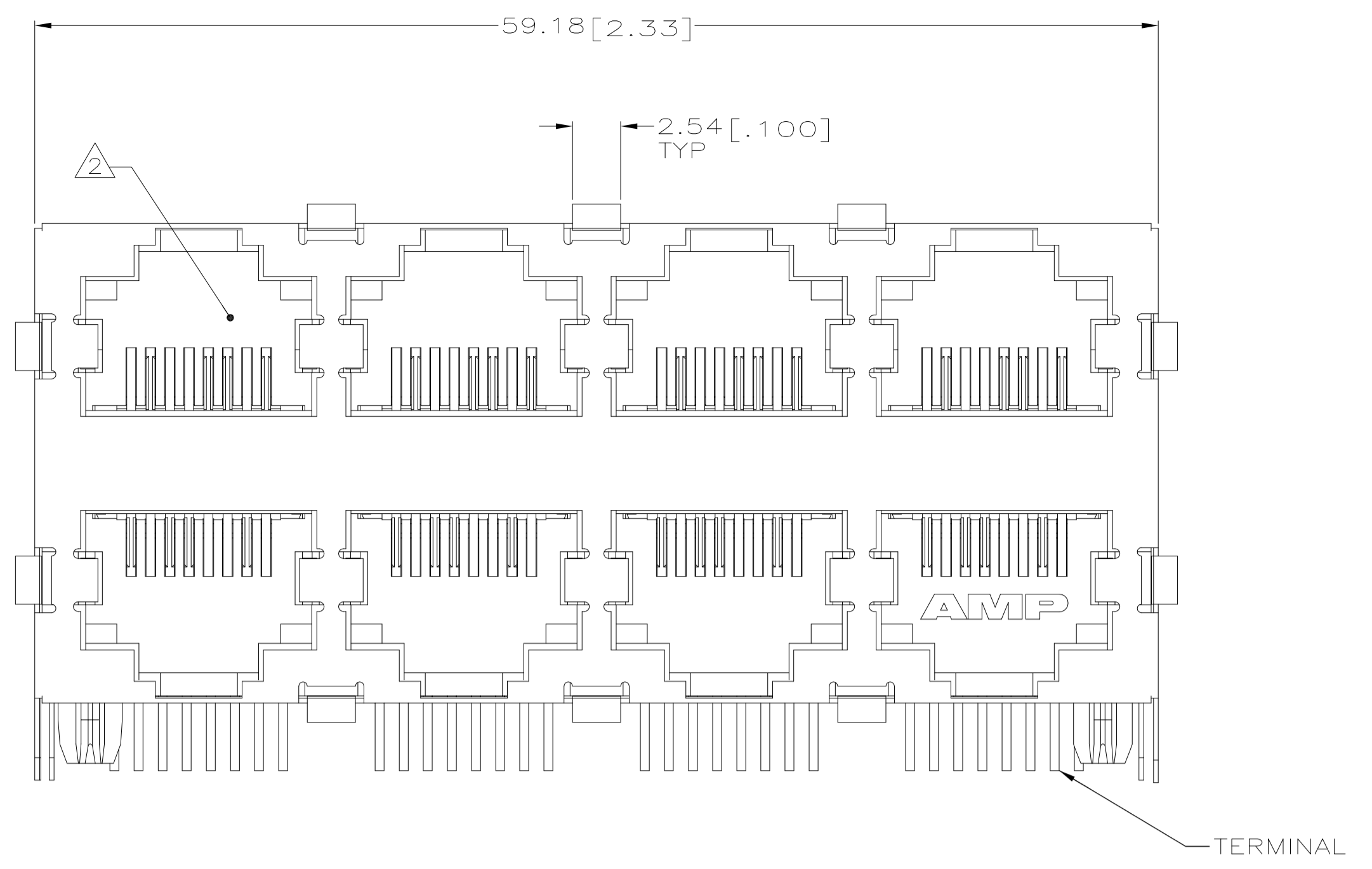
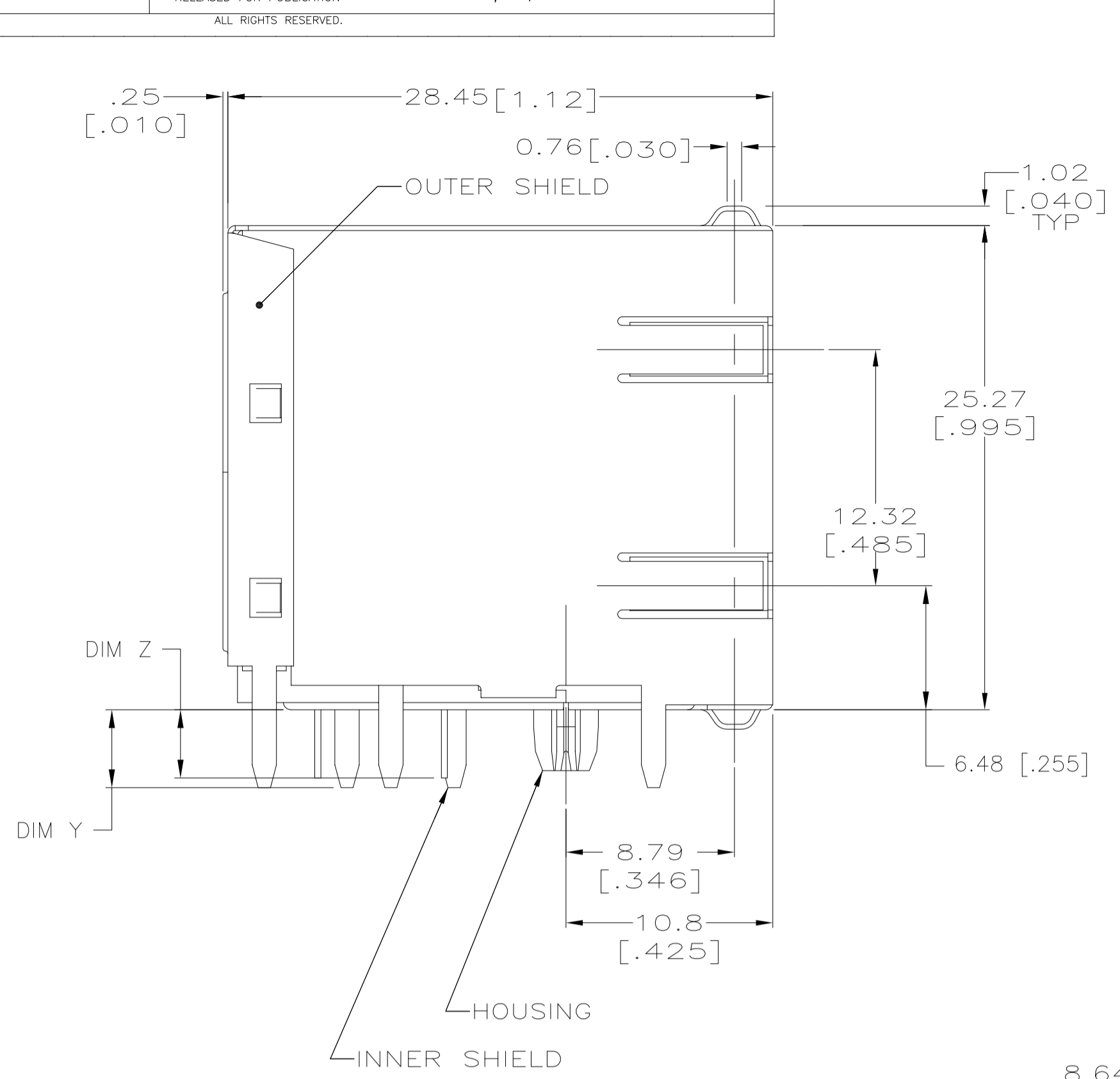


LOC	DIST	REVISIONS	DATE	DRN	APPD
AA	22				
B3		REVISED PER ECO-15-011392	06AUG2015	LL	SH



**MATERIAL:**  
HOUSING - PCT POLYESTER, BLACK, UL94V-0.  
OVERMOLDED TERMINAL ARRAY - PBT, BROWN.  
TERMINALS - 0.33 [.013] THICK PHOS BRONZE PLATED WITH 1.27um [.000050] MIN THICK HARD GOLD IN LOCALIZED AREA AND 3.81um [.000150] MIN THICK MATTE TIN IN SOLDER AREA OVER 1.27um [.000050] MIN THICK NICKEL UNDERPLATE.  
SHIELD - 0.25 [.010] THICK COPPER ALLOY PLATED WITH 2.03um [.000080] MIN BRIGHT TIN OVER 1.27um [.000050] MIN NICKEL.

**JACK CAVITY CONFORMS TO FCC RULES AND REGULATIONS, PART 68 SUBPART F.**

**DATE CODE LOCATED ON REAR OF PART APPROXIMATELY AS SHOWN:**  
FIRST 2 DIGITS ARE LAST 2 DIGITS OF YEAR, SECOND 2 DIGITS ARE MANUFACTURING WORK WEEK, LAST DIGIT IS DAY OF WEEK, WITH SUNDAY = 1.

**MATERIAL:**  
HOUSING - PCT POLYESTER, BLACK, UL94V-0.  
OVERMOLDED TERMINAL ARRAY - PBT, BROWN.  
TERMINALS - 0.33 [.013] THICK PHOS BRONZE PLATED WITH 1.27um [.000050] MIN THICK HARD GOLD IN LOCALIZED AREA AND 3.81um [.000150] MIN THICK MATTE TIN IN SOLDER AREA OVER 1.27um [.000050] MIN THICK NICKEL UNDERPLATE.  
SHIELDS - 0.25 [.010] THICK COPPER ALLOY PLATED WITH 1.27 um [.000050] MINIMUM NICKEL AND 2.03 um [.000080] MINIMUM HOT TIN DIP ON PCB GROUND TABS.

**MATERIAL:**  
HOUSING - PCT POLYESTER, BLACK, UL94V-0.  
OVERMOLDED TERMINAL ARRAY - PBT, BROWN.  
TERMINALS - 0.33 [.013] THICK PHOS BRONZE PLATED WITH 0.381um [.000015] MIN THICK HARD GOLD IN LOCALIZED AREA AND 3.81um [.000150] MIN THICK MATTE TIN IN SOLDER AREA OVER 1.27um [.000050] MIN THICK NICKEL UNDERPLATE.  
SHIELDS - 0.25 [.010] THICK COPPER ALLOY PLATED WITH 1.27 um [.000050] MINIMUM NICKEL AND 2.03 um [.000080] MINIMUM HOT TIN DIP ON PCB GROUND TABS.

REMARK	DIM. Z	DIM. Y	PART NUMBER
5	3.56 [.140]	4.06 [.160]	5569262-2
3	3.05 [.120]	4.06 [.160]	1-5569262-1
4	3.56 [.140]	4.06 [.160]	5569262-1

THIS DRAWING IS A CONTROLLED DOCUMENT.		DWG: T. SPRINKLE/LA MAYER		17APR2005	
DIMENSIONS: mm [INCHES]		CHK: J. WESTMAN		17APR2005	
TOLERANCES UNLESS OTHERWISE SPECIFIED:		APVD: S. FLICKINGER		NAME: TE Connectivity	
0 PLC ± -	1 PLC ± -	PRODUCT SPEC: 108-1163-2		STACKED MODULAR JACK ASSEMBLY, 2x4 PORT, 8 POSITION, SHIELDED, PANEL GROUND, CATEGORY 5	
2 PLC ± 0.25[.01]	3 PLC ± 0.13[.005]	APPLICATION SPEC: 114-2048		SIZE: A1	
4 PLC ± -	ANGLES ± -	WEIGHT: -		CAGE CODE: 00779	
MATERIAL: SEE NOTE 1		FINISH: SEE NOTE 1		DRAWING NO: C=5569262	
		CUSTOMER DRAWING		SCALE: 4:1	
				SHEET: 1 OF 1	
				REV: B3	

单击下面可查看定价，库存，交付和生命周期等信息

[>>TE Connectivity\(泰科\)](#)