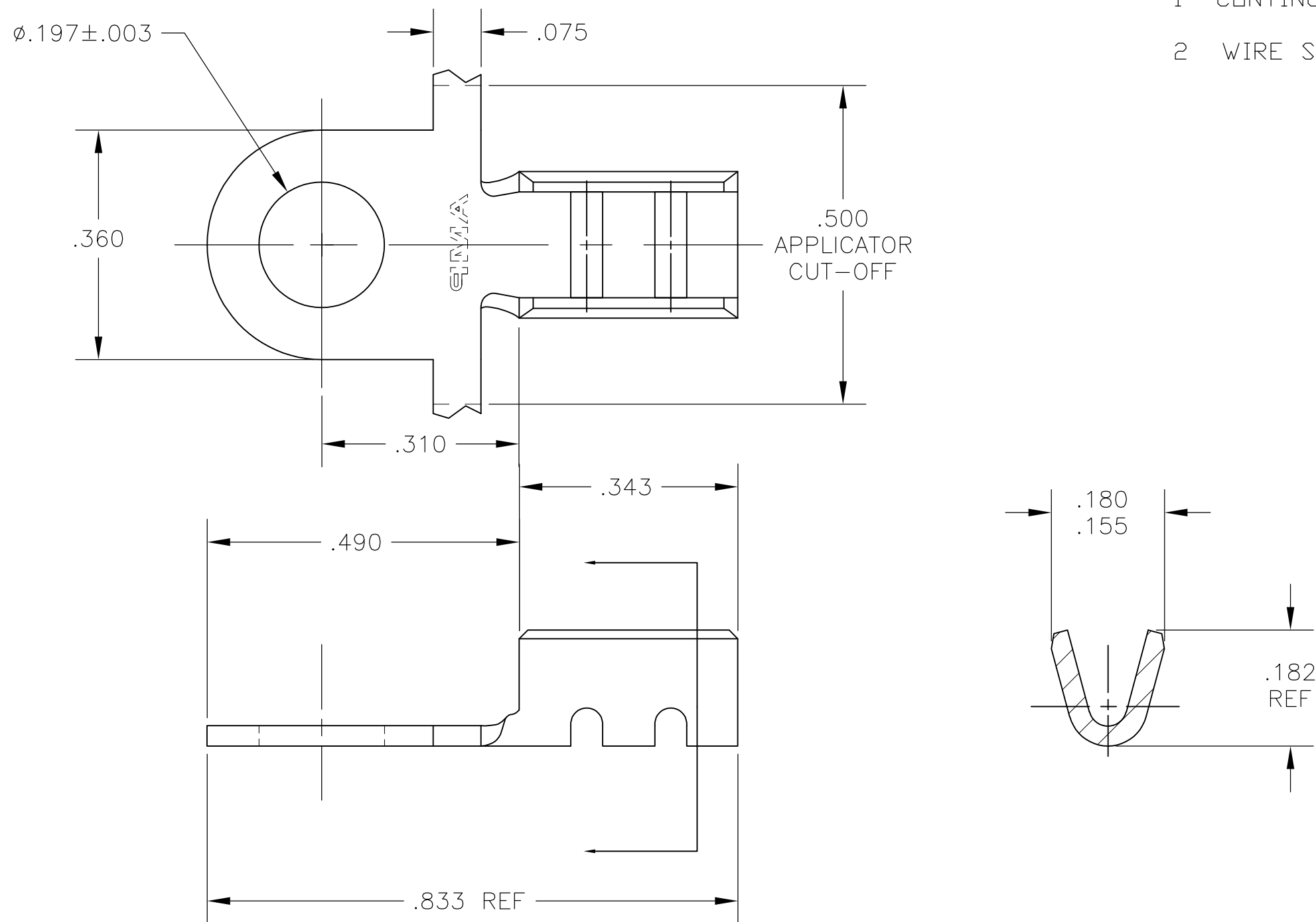


THIS DRAWING IS UNPUBLISHED. RELEASED FOR PUBLICATION
 © COPYRIGHT BY TYCO ELECTRONICS CORPORATION. ALL RIGHTS RESERVED.

LOC	DIST	REVISIONS			
P	LTR	DESCRIPTION	DATE	DWN	APVD
AF	50	B	REL PER ECR 07-025284	25OCT07	JR JK

- 1 CONTINUOUS STRIP ON REELS.
- 2 WIRE SIZE IS 22-15 AWG



1742556-1
 PART NO

THIS DRAWING IS A CONTROLLED DOCUMENT.		DWN	jr_ruth	22FEB07	Tyco Electronics Corporation Harrisburg, PA 17105-3608	
DIMENSIONS: INCHES		CHK	J KNOLL	22FEB07		
		APVD		J KNOLL	22FEB07	NAME
TOLERANCES UNLESS OTHERWISE SPECIFIED: 0 PLC ± - 1 PLC ± - 2 PLC ± - 3 PLC ± .010 4 PLC ± - ANGLES ± 5°		PRODUCT SPEC		RING TONGUE, NI-CHROME WIRE		
MATERIAL		FINISH		APPLICATION SPEC		RESTRICTED TO
-		-		-		---
CUSTOMER DRAWING				WEIGHT	-	---
SIZE			A3	CAGE CODE	00779	DRAWING NO
SCALE			5:1	SHEET		1 OF 1
REV			B	DRAWING NO		C-1742556

单击下面可查看定价，库存，交付和生命周期等信息

[>>TE Connectivity\(泰科\)](#)