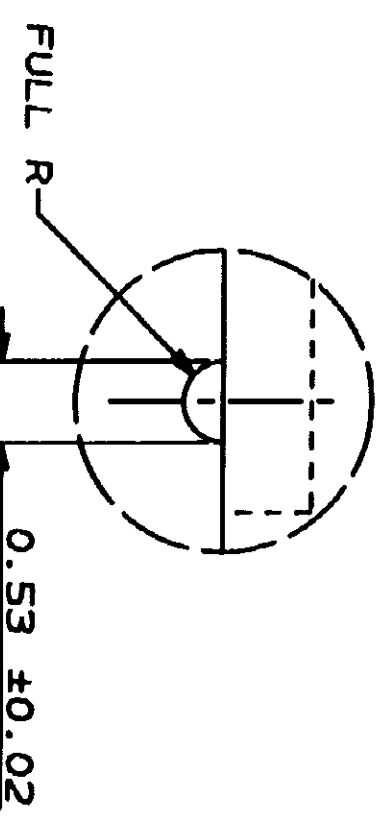


- ① MATERIAL: GRAY GLASS FILLED POLYESTER.
- ② AMP TRADEMARK RECESSED.
- ③ THIS PART HAS A THRU HOLE TO ACCEPT GUIDE PIN RECEPTACLE, AMP PART NO. 533065-1.
- ④ LOCATING HOLES NEED NOT BE PLATED THRU HOLES, BUT LOCATING THRU HOLE DIA. 0.55mm FINISHED, FIT MIN. PLATED THRU HOLE DIA. 0.55mm FINISHED.
- ⑤ PLATED THRU HOLE FOR POWER APPLICATION ONLY.



DETAIL Z
 SCALE 20:1

DO NOT SCALE PRINT. UNLESS SPECIFIED (DIMENSIONS IN MILLIMETERS)		DR 12/02/92 D.R. BENDER	
DIMENSIONS IN INCHES		CHK 03/04/93 L.A. BARKUS	
DIMENSIONS ON 1.1		APPRO 03/04/93 L.A. BARKUS	
TOLERANCES ± 0.1		APPRO 03/04/93 L.A. BARKUS	
APPRO 03/04/93		PRODUCT SPEC	
MATERIAL		L.A. BARKUS	
FINISH		PART NO.	
APPLICATION SPEC		AMP Incorporated Murrysburg, PA 17105-3608	
WEIGHT		NAME POWER/GUIDE RECEPTACLE HOUSING MOLDED, 2mmHM	
SCALE 8:1		SIZE CASE CODE	INSULATING NO.
		00779	G-646273
		SHEET 1 OF 1	

CUSTOMER DRAWING

单击下面可查看定价，库存，交付和生命周期等信息

[>>TE Connectivity\(泰科\)](#)