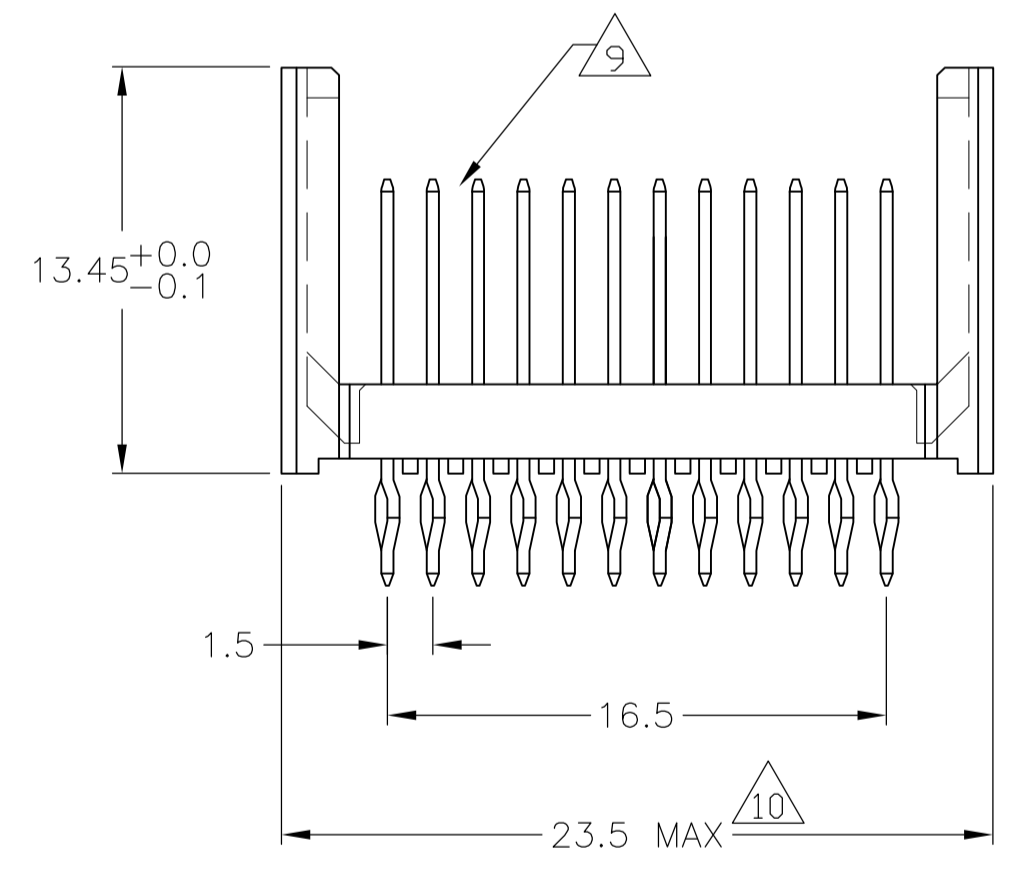
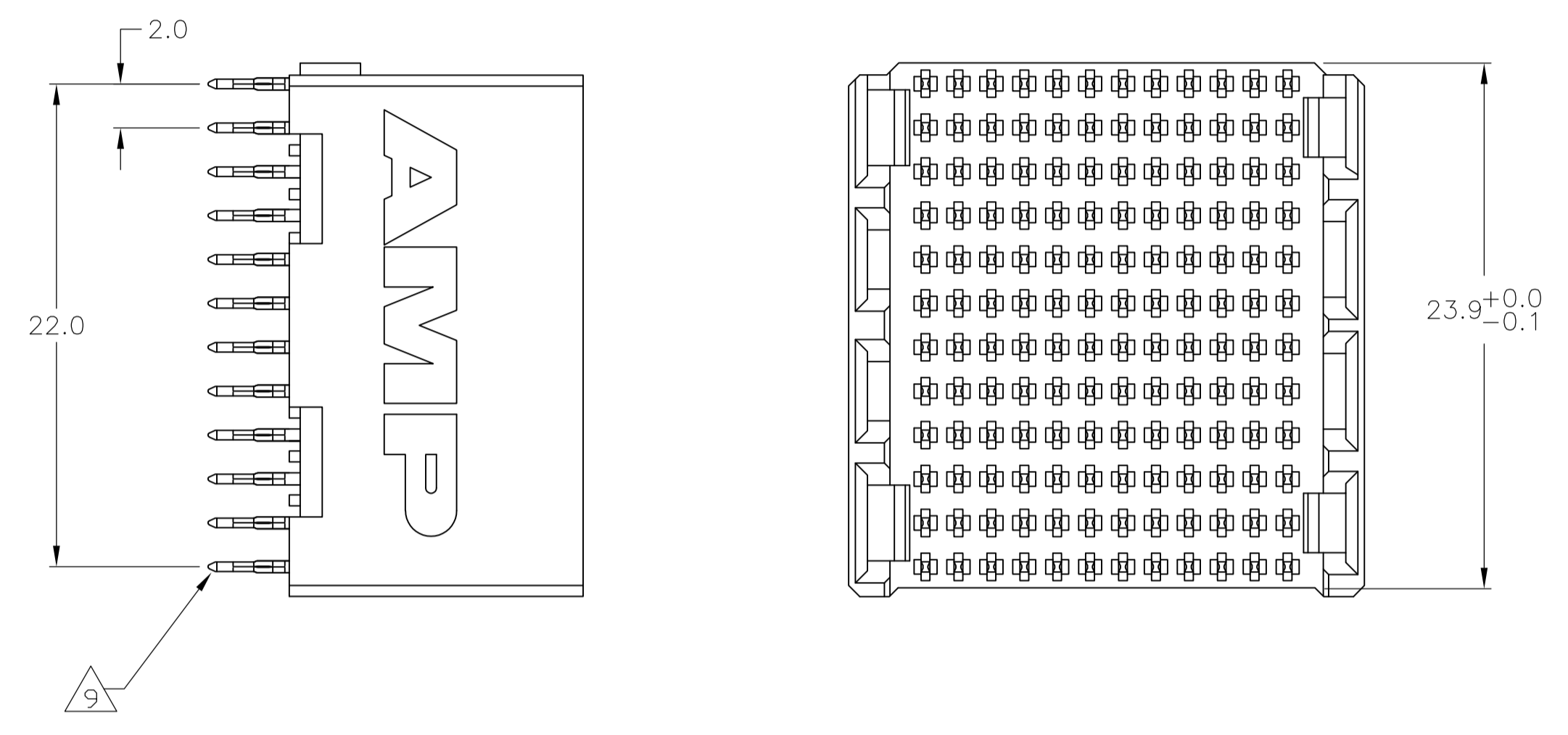
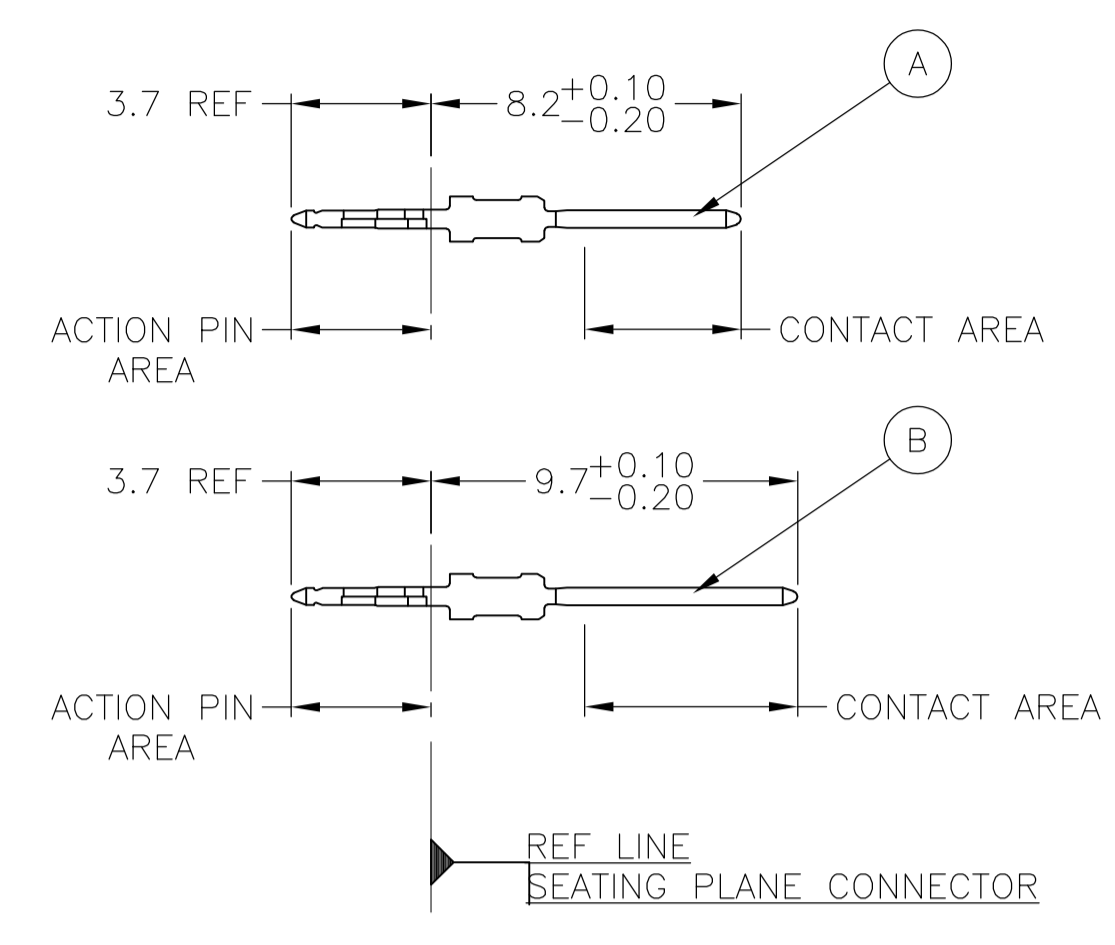


LOC	DIST	REVISIONS					
AD	00	REV	PER	DESCRIPTION	DATE	DMN	APVD
		B	REV PER	ECO-06-021628	11JAN07	DKH	GS
		C	ECR	-10-019054	15SEP10	DP	MQW

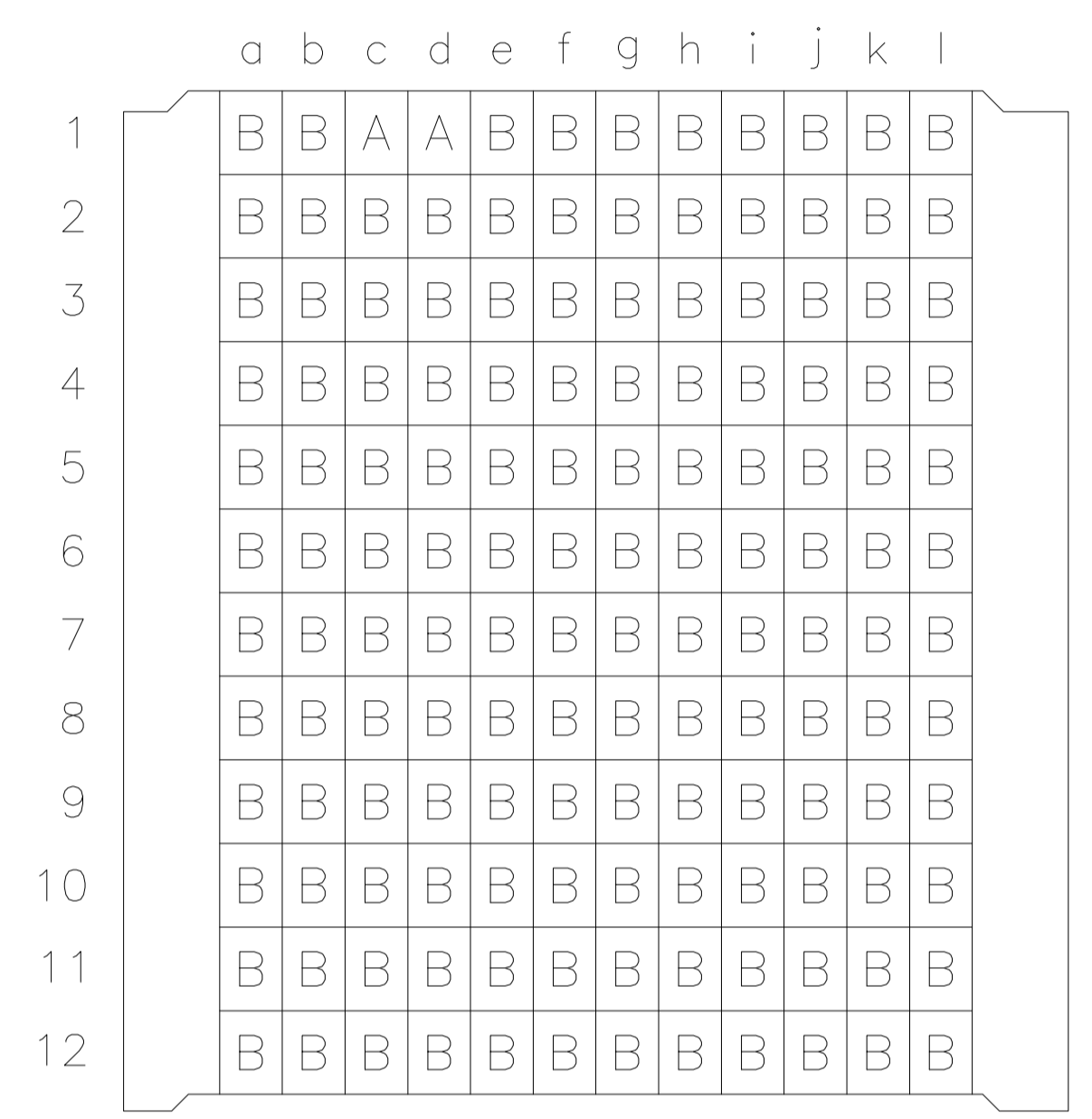
### CONNECTOR ASSEMBLY EXAMPLARY LOADED 8



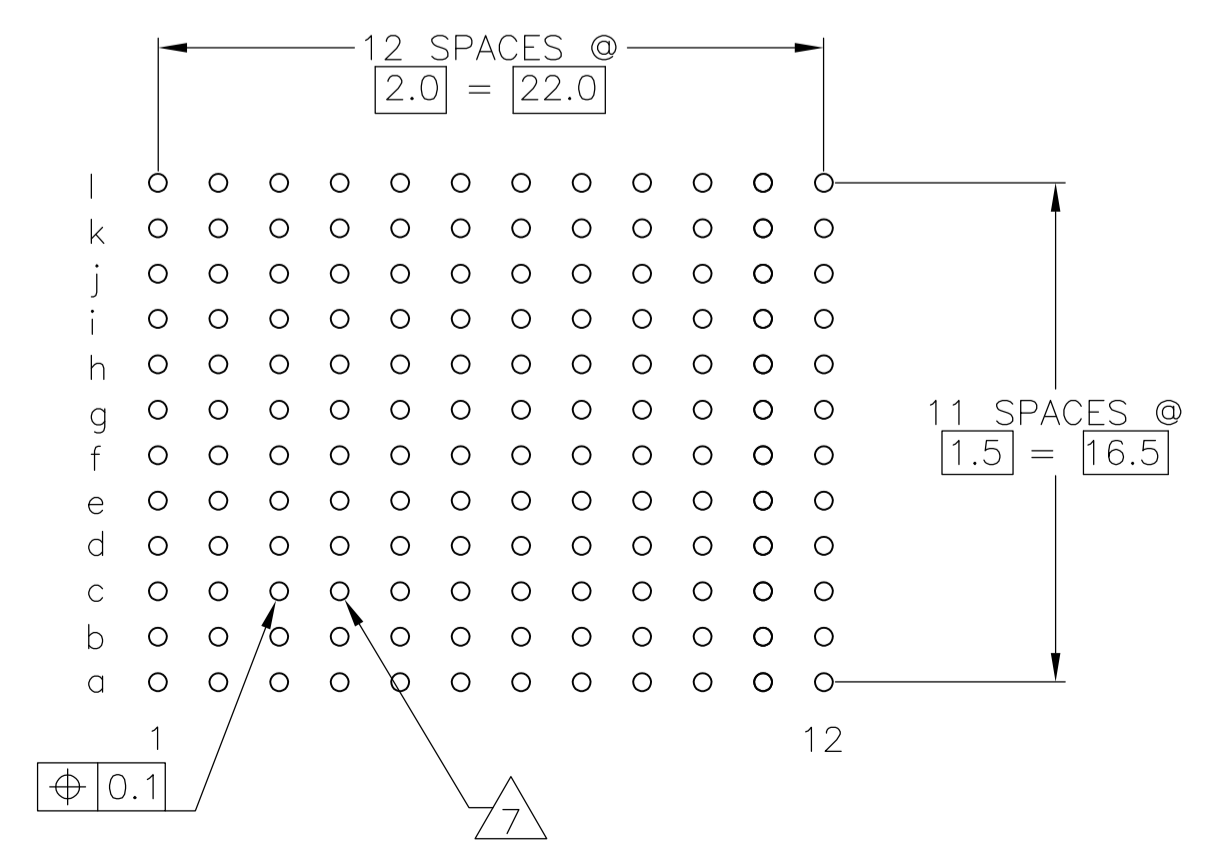
### CONTACT DIMENSIONS SCALE 5:1



### CONTACT LAYOUT



### RECOMMENDED PCB-HOLE LAYOUT COMPONENT SIDE SHOWN



### PLATED THRU HOLES PARAMETERS REFERENCE APPLICATION SPECIFICATION

<span style="border: 1px solid black; padding: 2px;">2 6 1 1</span>	1-5120898-9
<span style="border: 1px solid black; padding: 2px;">2 5 1 1</span>	5120898-9
<span style="border: 1px solid black; padding: 2px;">2 4 4</span>	5120898-4
<span style="border: 1px solid black; padding: 2px;">2 3 3</span>	5120898-1
FINISH	PART NUMBER

THIS DRAWING IS A CONTROLLED DOCUMENT.		TOLERANCES UNLESS OTHERWISE SPECIFIED:		Tyco Electronics Corporation Harrisburg, Pa 17105-3608	
DIMENSIONS:	mm	0-PLC	± 0.1	NAME	MALE ASSEMBLY, Z-PACK 2mm HM, TYPE B, 12 ROW
		1-PLC	± 0.1	APPLICATION SPEC	108-1738
		2-PLC	± 0.2	APPLICATION SPEC	114-1132
		3-PLC	± 0.2	SIZE	A1
		4-PLC	± 0.2	WEIGHT	—
		ANGLES	± 0.2	CAGE CODE	00779
MATERIAL	SEE TABLE	FINISH	SEE TABLE	DRAWING NO	5120898
				RESTRICTED TO	—
				CUSTOMER DRAWING	SCALE 4:1 SHEET 1 OF 2 REV C

THIS DRAWING IS UNPUBLISHED. RELEASED FOR PUBLICATION  
COPYRIGHT BY TYCO ELECTRONICS CORPORATION. ALL RIGHTS RESERVED.

LOC		DIST		REVISIONS			
P	LTR	DESCRIPTION	DATE	DN	APVD		
AD	00	SEE SHEET 1	-	-	-	-	-

- 1 MATERIAL:  
CONTACT: PHOSPHOR BRONZE.  
HOUSING: GLASS-FILLED POLYESTER.
- 2 GENERAL PLATING SPECIFICATION: UNDERPLATING  
(ENTIRE CONTACT): 1.27µm MIN NICKEL AND ACTION  
PIN: 0.5µm MIN TIN.  
FOR PLATING OF MATING SURFACES SEE APPLICABLE  
SPECIFICATION REFERENCE FOR EACH DASH NUMBER.
- 3 CONFORMS TO ALL TESTING ACCORDING TO IEC 61076-4-101  
PERFORMANCE LEVEL 2.
- 4 CONFORMS TO ALL TESTING ACCORDING TO IEC 61076-4-101  
PERFORMANCE LEVEL 1.
- 5 CONNECTOR TESTED AND QUALIFIED AGAINST TELCORDIA GR-1217-CORE QUALITY LEVEL 3,  
CENTRAL OFFICE APPLICATIONS.
- 6 CONNECTOR TESTED AND QUALIFIED AGAINST TELCORDIA GR-1217-CORE QUALITY LEVEL 3,  
UNCONTROLLED ENVIROMENT APPLICATIONS.
- 7 PLATED-THROUGH HOLES AT 2x2mm SQUARE GRID  
PATTERN DEFINED BY CONTACT LAYOUT.
- 8 FOR ACTUAL PIN LOADING SEE "CONTACT LAYOUT".
- 9 FOR ACTUAL PIN DIMENSIONS SEE "CONTACT DIMENSIONS".
- 10 TO BE MEASURED AT BOTTOM OF SHROUD.
- 11 CONNECTOR LUBRICATED WITH BELCORE APPROVED LUBRICANT,  
TECHNICAL REFERENCE: TR-NWT-001217 ISSUE 1, SEP 1992.

THIS DRAWING IS A CONTROLLED DOCUMENT.		DIN B CARBO 03AUG05		Tyco Electronics Corporation Harrisburg, Pa 17105-3608	
DIMENSIONS: mm		TOLERANCES UNLESS OTHERWISE SPECIFIED: ±0.2		G.SKIPPER 03AUG05	
		0-PLC ± 1-PLC ±0.1 2-PLC ± 3-PLC ± 4-PLC ± ANGLES ±		APVD G.SKIPPER 03AUG05	
MATERIAL SEE SHEET 1		FINISH SEE SHEET 1		NAME MALE ASSEMBLY, Z-PACK 2mm HM, TYPE B, 12 ROW	
		WEIGHT -		SIZE A1	
		CUSTOMER DRAWING		CAGE CODE DRAWING NO 00779 5120898	
		SCALE 4:1		RESTRICTED TO -	
		SHEET 2		OF 2	
		REV C			

单击下面可查看定价，库存，交付和生命周期等信息

[>>TE Connectivity\(泰科\)](#)