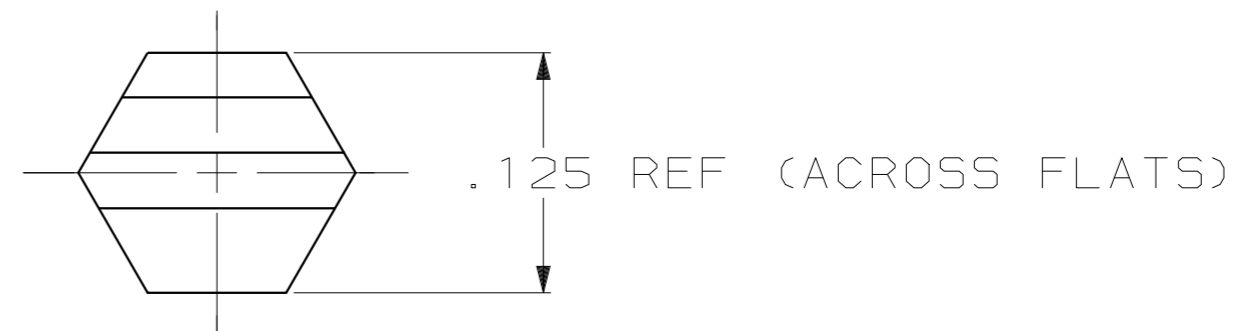
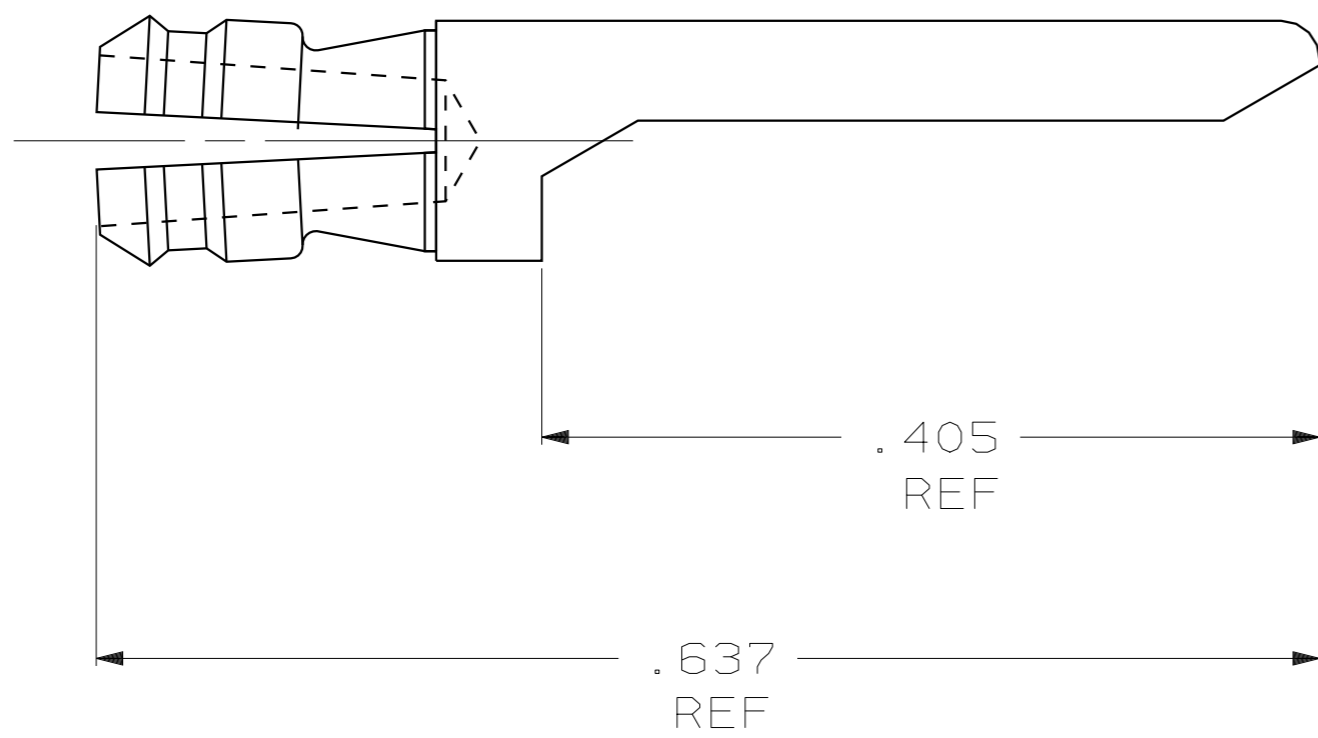
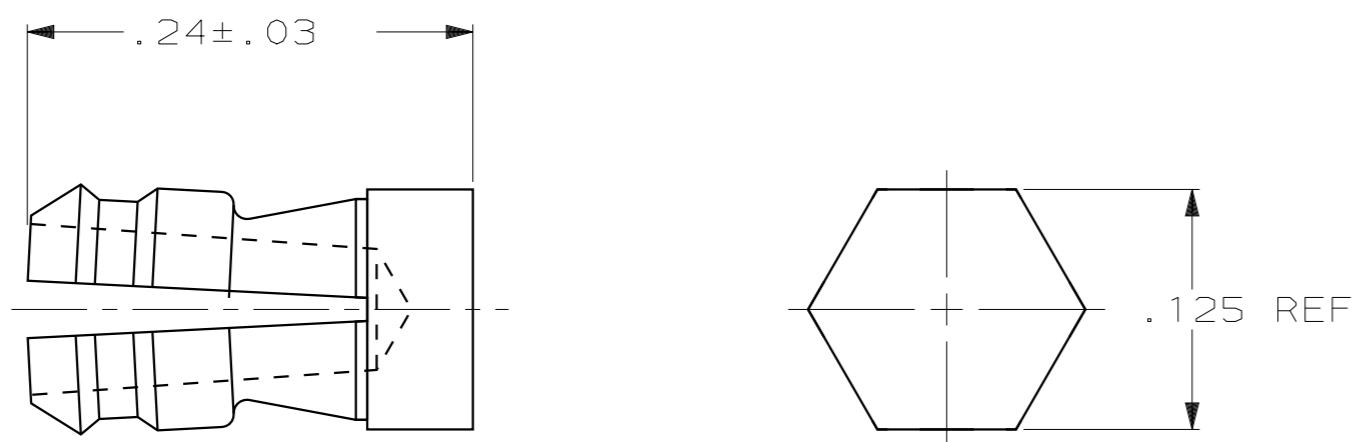


THIS DRAWING IS UNPUBLISHED. RELEASED FOR PUBLICATION ,19
 © COPYRIGHT 19 BY AMP INCORPORATED. ALL RIGHTS RESERVED.

LOC		DIST		REVISIONS			
P	LTR	DESCRIPTION		DATE	DWN	APVD	
H		REV PER 0H14-0867-04		12-9-04	CT	SG	



213384-1 ONLY



DETAIL T
213384-4 ONLY

SEE DETAIL T	213384-4
AS SHOWN	213384-1
DESCRIPTION	PART NUMBER

THIS DRAWING IS A CONTROLLED DOCUMENT.		DWN	C.C. THOMAS	12-8-04	 TYCO Electronics Harrisburg, PA 17105-3608
DIMENSIONS: INCHES		CHK	S. GLATFELTER	12-8-04	
TOLERANCES UNLESS OTHERWISE SPECIFIED:		APVD	S. GLATFELTER	12-8-04	
0 PLC ±- 1 PLC ±- 2 PLC ±- 3 PLC ±- 4 PLC ±- ANGLES ±-		PRODUCT SPEC	NAME		
MATERIAL	ALUMINUM	FINISH	CHROMATE COATION	PER MIL-C-5541	APPLICATION SPEC
CUSTOMER DRAWING		WEIGHT	-		SCALE
SCALE		10:1		SHEET	1 OF 1
REV		H		RESTRICTED TO	

HEXAGONAL KEY WIRE
INTERGRATION UNIT
CONNECTOR

SIZE: A2 CAGE CODE: 00779 DRAWING NO: 213384

单击下面可查看定价，库存，交付和生命周期等信息

[>>TE Connectivity\(泰科\)](#)