

This drawing involves proprietary design rights of Tyco Electronics Corporation, and all design, manufacture, reproduction, use and sale rights regarding the same are expressly reserved. It is submitted for a specific purpose and the recipient by accepting this drawing, assumes custody and control and agrees to take reasonable precautions; (a) that this drawing will not be copied and reproduced, in whole or in part, or its contents revealed in any manner, or to any person except to meet the purpose for which it was delivered and (b) that any special features peculiar to this design will not be incorporated in other projects without the expressed written permission of Tyco Electronics Corporation.

REVISIONS			
EC	REV	DESCRIPTION	DATE
CPR	A	NEW RELEASE	09/27/05

NOTES: UNLESS OTHERWISE SPECIFIED

- PART NUMBER CHANGES AND OR DESIGN CHANGES AFFECTING ITEM INTERCHANGEABILITY REQUIRE PRIOR ELCON APPROVAL AND AUTHORIZATION BY REVISION TO THIS DRAWING.
- ITEMS PROVIDED TO THIS SPECIFICATION ARE TO BE PERMANENTLY IDENTIFIED ON THE PART AND PACKAGE WITH THE FOLLOWING INFORMATION:  
PART NUMBER AND DATE CODE OF MANUFACTURE.
- MATERIALS:  
INSULATOR: VALOX 420-SEO, UL RATED, 94V-0, COLOR- BLACK.  
BACKPLANE CONTACTS: BRASS, CDA 36000  
CROWN BANDS: BeCu, CDA 17200, HEAT TREATED  
HOT PLUG HOODS: BeCu, CDA 17300  
MOUNTING HARDWARE: STEEL.
- FINISHES:  
SIZE #12 AND #20 CONTACTS: GOLD PLATED.  
SIZE #8 CONTACT: SILVER PLATED.  
CROWN BANDS: GOLD PLATED.  
HOT PLUG HOODS: GOLD PLATED.  
MOUNTING HARDWARE: ZINC PLATED.

5. INSERTION FORCE (MAX) AND WITHDRAWAL FORCE (MIN) IN OUNCES:

SIZE	INSERTION	RETENTION
8	48	12
12	80	16
20	5	1

6. MOUNTING HARDWARE WILL BE PACKAGED SEPARATELY AND SHIPPED LOOSE WITH THE CONNECTOR ASSEMBLY.

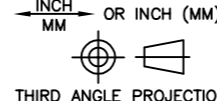
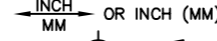


REF PN: 1-1428066-0 (WAS 903-0104-02300) SCREW, PAN HEAD, PHILIPS (2 EA)  
5018030-1 (WAS 903-37-02300) HEX NUT, 3mm x 2.4 (2 EA)

7. BACKPLANE CONNECTOR REFERENCE ASSEMBLY PART NUMBERS:

TYCO PN: 6643101-1 (RoHS VERSION OF ELCON PN 235-0144-00100B)  
SUN MICRO PN: 130-4461-01

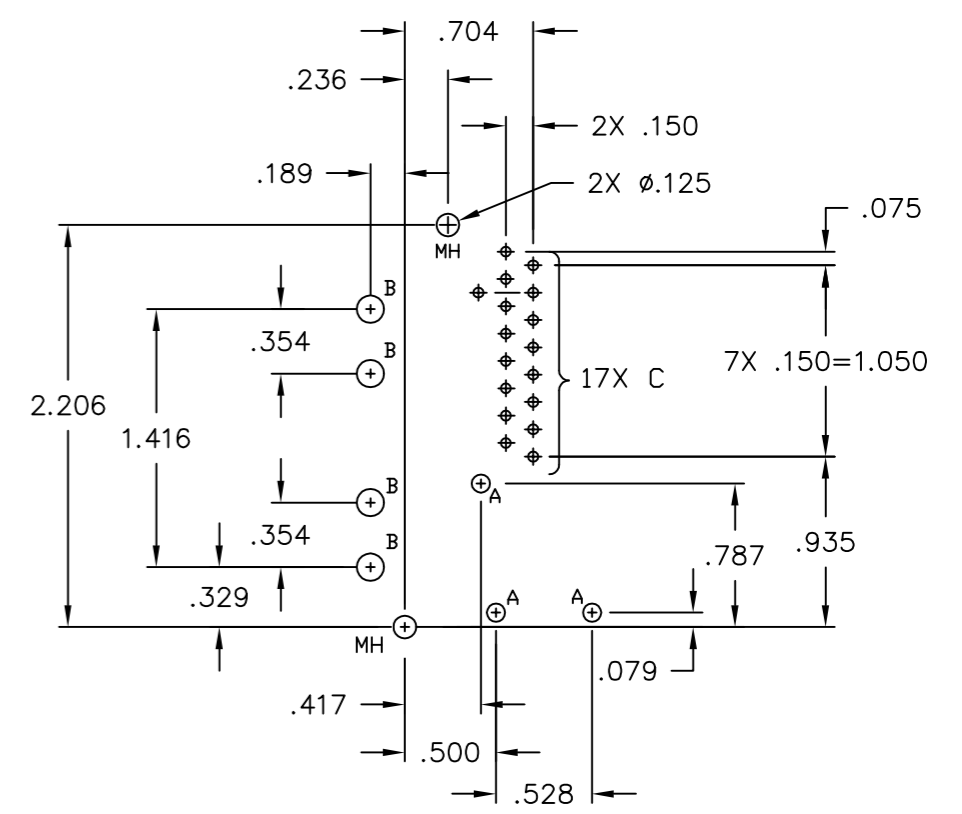
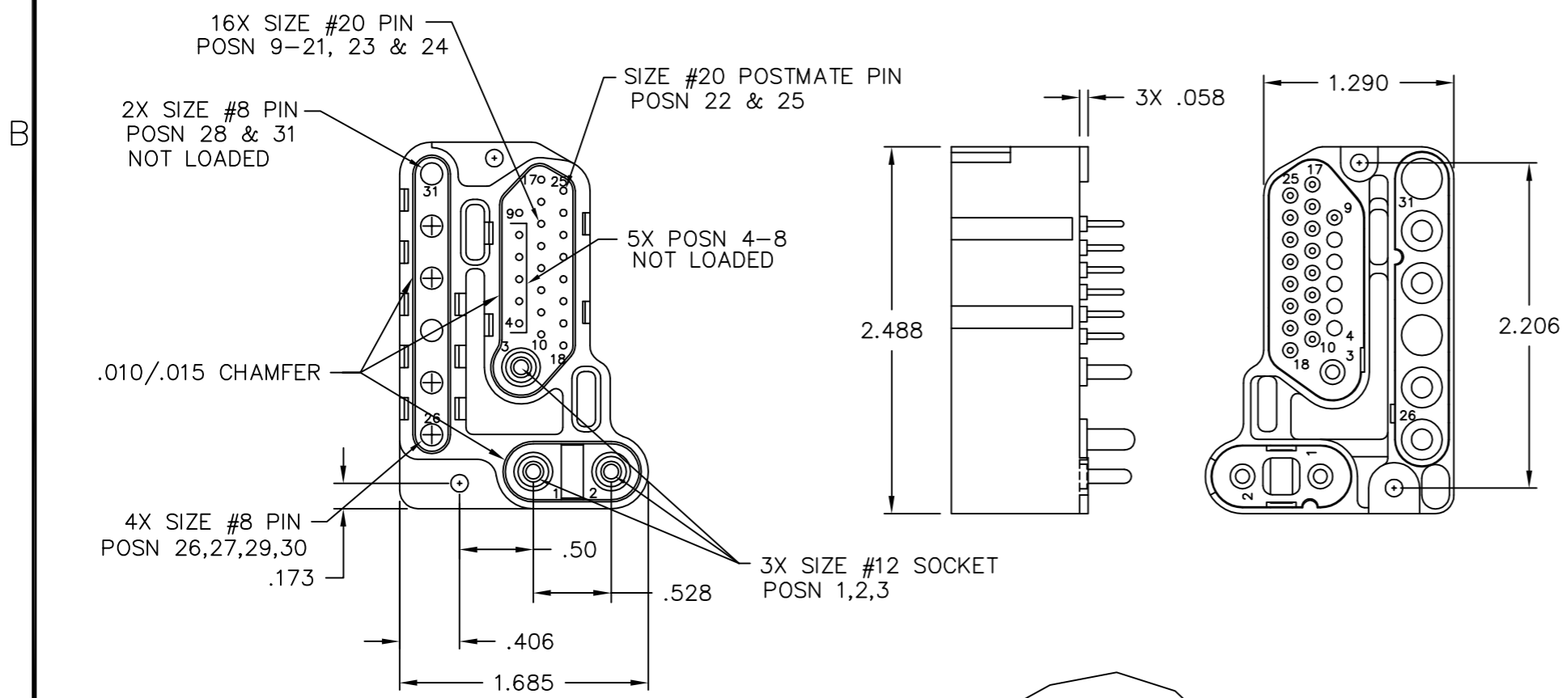
8. PIN & SOCKET PCB TAIL CONTACTS INSTALLED.  
REFERENCE PART NUMBERS, DESCRIPTION & ARRANGEMENT BELOW.

PART NUMBER	DESCRIPTION	POSITION	QTY	PIN DIA AS APPLIED
1648356-2	SOCKET CONTACT, #12, PCB TAIL	1-3	3	NOT APPLICABLE
1650203-1	PIN CONTACT, #20, PCB TAIL, STD	9-21, 23, 24	15	.041/.039
1650206-1	PIN CONTACT, #20, PCB TAIL, POSTMATE	22 & 25	2	.041/.039
1766218-1	PIN CONTACT, #8, PCB TAIL	26,27,29,30	4	.143/.141

 THIRD ANGLE PROJECTION UNLESS OTHERWISE SPECIFIED DIMENSIONS ARE IN INCHES (METRIC) TOLERANCES ANGLES ± .5° DECIMALS .XXX ± .010 (.25) .XX ± .02 (.3)	INCH OR INCH (MM) 	DRAWN LOVATO/M. ALIM CHECKED	DATE 09/27/05	 Tyco Electronics Corporation Menlo Park, Ca 94025 
	APPROVED		TITLE	
	APPROVED		CONNECTOR, PIN BACKPLANE PN 6643101-1	
	D. CHAU	09/27/05	SIZE DWG NUMBER	REV.
DCA APPROVED		B C= 6643101	A	
M. ALIM	09/27/05	ACAD FILE NUMBER C6643101A.DWG		
		DWG SCALE 1=1 SH 1 OF 3		

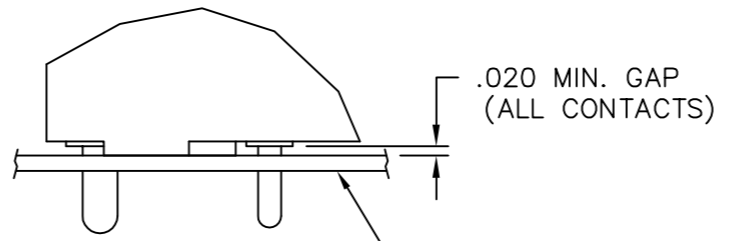
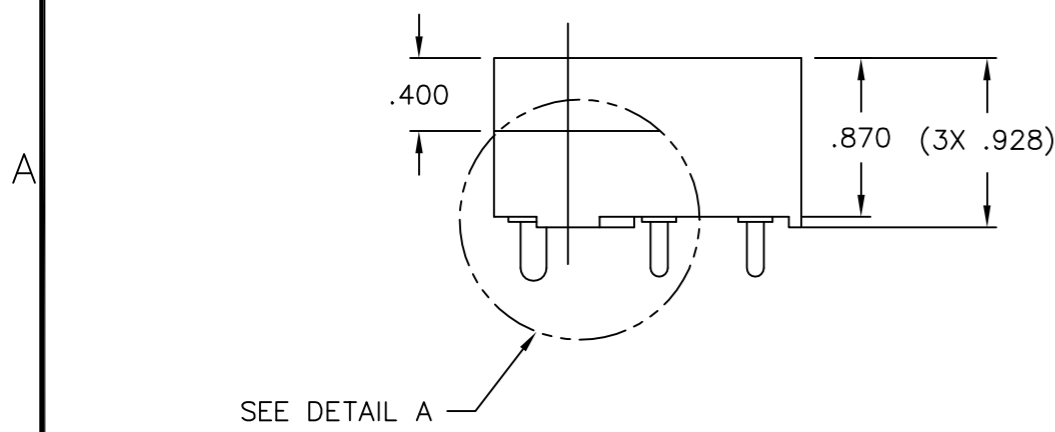
This drawing involves proprietary design rights of Tyco Electronics Corporation, and all design, manufacture, reproduction, use and sale rights regarding the same are expressly reserved. It is submitted for a specific purpose and the recipient by accepting this drawing, assumes custody and control and agrees to take reasonable precautions; (a) that this drawing will not be copied and reproduced, in whole or in part, or its contents revealed in any manner, or to any person except to meet the purpose for which it was delivered and (b) that any special features peculiar to this design will not be incorporated in other projects without the expressed written permission of Tyco Electronics Corporation.

REVISIONS			
EC	REV	DESCRIPTION	DATE
		SEE SHEET 1	



SUGGESTED PCB LAYOUT

HOLE IDENT	SIZE	QTY	CONTACT
A	12	3	SOCKET
B	8	4	PIN
C	20	17	PIN



DETAIL A  
(MOUNTED ON PCB)  
NO SCALE

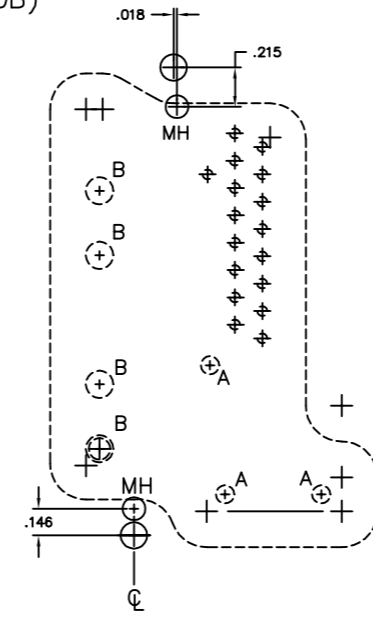
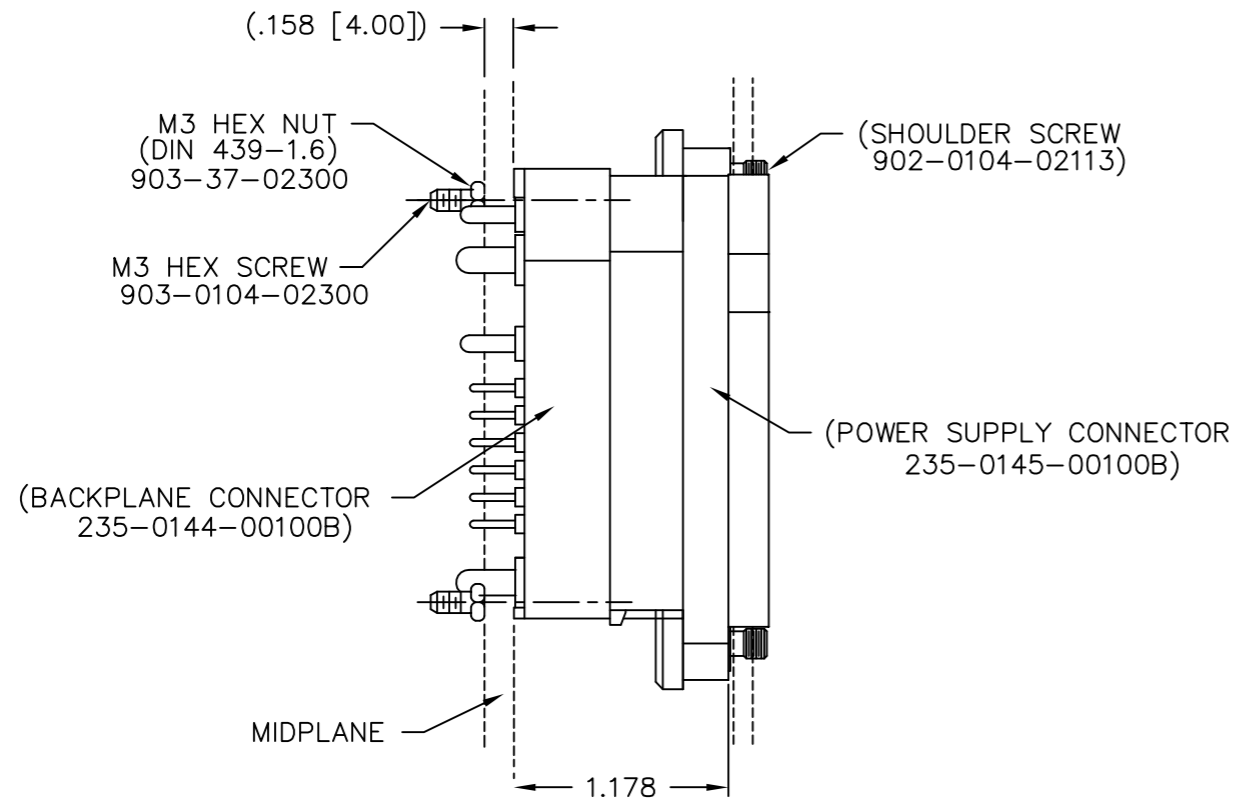
INCH OR INCH (MM)  THIRD ANGLE PROJECTION UNLESS OTHERWISE SPECIFIED DIMENSIONS ARE IN INCHES (METRIC) TOLERANCES ANGLES $\pm$ .5° DECIMALS .XXX $\pm$ .010 (.25) .XX $\pm$ .02 (.3)	DRAWN LOVATO/M. ALIM CHECKED	DATE 09/27/05	 Tyco Electronics Corporation Menlo Park, Ca 94025 
	APPROVED APPROVED D. CHAU DCA APPROVED M. ALIM ACAD FILE NUMBER C6643101A.DWG	DATE 09/27/05 09/27/05	TITLE CONNECTOR, PIN BACKPLANE PN 6643101-1
			DWG SCALE 1=1 SH 2 OF 3

This drawing involves proprietary design rights of Tyco Electronics Corporation, and all design, manufacture, reproduction, use and sale rights regarding the same are expressly reserved. It is submitted for a specific purpose and the recipient by accepting this drawing, assumes custody and control and agrees to take reasonable precautions; (a) that this drawing will not be copied and reproduced, in whole or in part, or its contents revealed in any manner, or to any person except to meet the purpose for which it was delivered and (b) that any special features peculiar to this design will not be incorporated in other projects without the expressed written permission of Tyco Electronics Corporation.

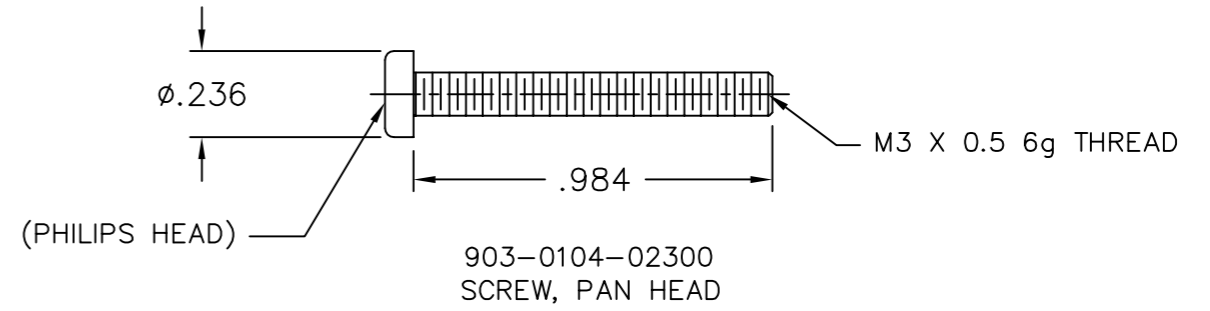
# CONNECTOR SET, MATED

TYCO PN 6643101-1, RoHS VERSION OF ELCON PN 235-0144-00100B  
& TYCO PN 6651160-1, RoHS VERSION OF ELCON PN 235-0145-00100B)

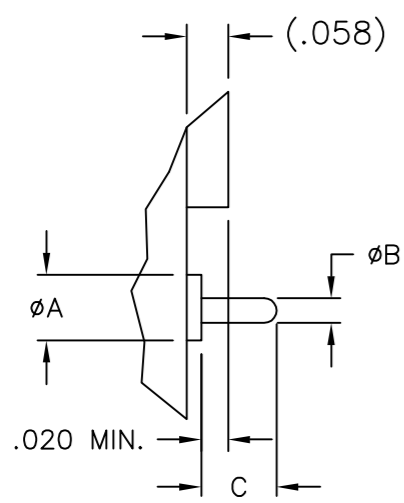
REVISIONS			
EC	REV	DESCRIPTION	DATE
		SEE SHEET 1	



PANEL CUTOUT MATING POWER SUPPLY CONNECTOR SUPERIMPOSED (DASHED LINE) OVER PCB LAYOUT OF BACKPLANE CONNECTOR



SCALE : 2=1



NO SCALE

DIM	CONTACT SIZE		
	20	12	8
A	.102	.188	.276
B	.040	.093	.142
C	.280	.330	.340

INCH OR INCH (MM)  THIRD ANGLE PROJECTION UNLESS OTHERWISE SPECIFIED DIMENSIONS ARE IN INCHES (METRIC) TOLERANCES ANGLES ± .5° DECIMALS .XXX ± .010 (.25) .XX ± .02 (.3)	DRAWN LOVATO/M. ALIM CHECKED	DATE 09/27/05	 Tyco Electronics Corporation Menlo Park, Ca 94025 
	APPROVED D. CHAU DCA APPROVED M. ALIM ACAD FILE NUMBER C6643101A.DWG	APPROVED 09/27/05 09/27/05	TITLE MATING CONNECTOR AND MOUNTING HARDWARE PN 6643101-1 SIZE B DWG NUMBER C= 6643101
DWG SCALE 1=1 SH 3 OF 3			

单击下面可查看定价，库存，交付和生命周期等信息

[>>TE Connectivity\(泰科\)](#)