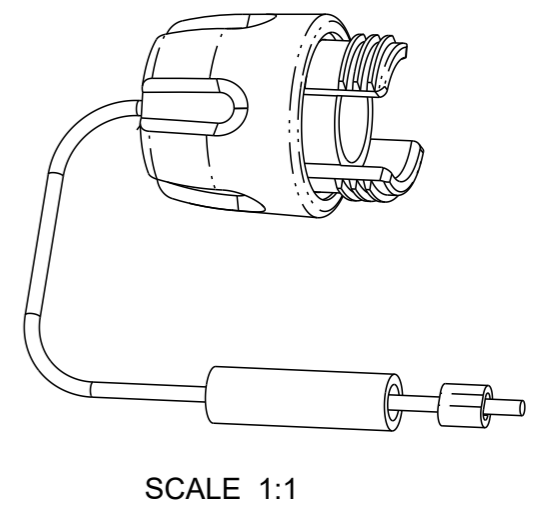
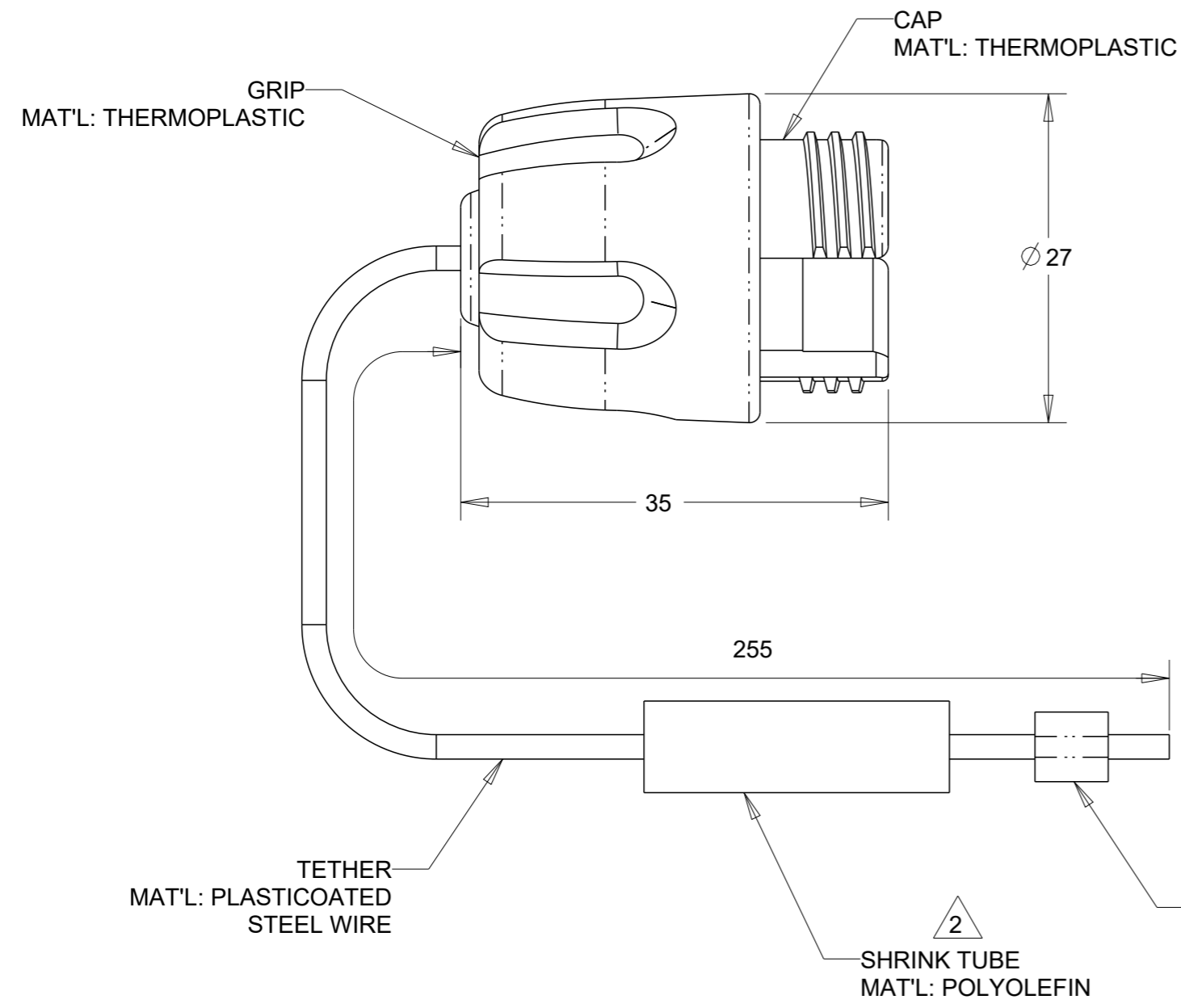


THIS DRAWING IS UNPUBLISHED. RELEASED FOR PUBLICATION 20  
 © COPYRIGHT20 BY - ALL RIGHTS RESERVED.

| LOC | DIST | REVISIONS |     |               |           |     |      |
|-----|------|-----------|-----|---------------|-----------|-----|------|
|     |      | P         | LTR | DESCRIPTION   | DATE      | DWN | APVD |
| CE  | -    |           | E1  | ECR-13-001022 | 18JAN2013 | KG  | DW   |
|     |      |           | F   | ECR-19-008989 | 17JUN2019 | TS  | DW   |



1. ALL DIMENSIONS ARE FOR REFERENCE ONLY.  
 2 TO BE COMPLETED BY END USER DURING CONNECTOR ASSEMBLY.

| COLOR | DESCRIPTION                          | PART NUMBER |
|-------|--------------------------------------|-------------|
| GREEN | AS SHOWN                             | 1515867-4   |
| BROWN | AS SHOWN                             | 1515867-3   |
| BLACK | WITHOUT SHRINK TUBE AND CRIMP SLEEVE | 1515867-2   |
| BLACK | AS SHOWN                             | 1515867-1   |

|  |  |                               |  |
|--|--|-------------------------------|--|
| THIS DRAWING IS A CONTROLLED DOCUMENT. DIMENSIONING AND TOLERANCING PER ASME Y14.5M-2009 |  | DWN 12DEC2002<br>K.GLATFELTER |  |
| DIMENSIONS: mm   |  | CHK 16DEC2002<br>D.WERTMAN    |  |
| TOLERANCES UNLESS OTHERWISE SPECIFIED:   |  | APVD 17DEC2002<br>D.WERTMAN   | NAME<br>PROTECTIVE CAP, PLUG, PRO BEAM JR.<br>BULKHEAD<br>PRO BEAM JR. |
| 0 PLC ±-   |  | PRODUCT SPEC                  | SIZE<br>A3   |
| 1 PLC ±-   |  | APPLICATION SPEC              | CAGE CODE<br>00779   |
| 2 PLC ±-   |  | WEIGHT                        | DRAWING NO<br>C-1515867  |
| 3 PLC ±-   |  |                               | RESTRICTED TO  |
| 4 PLC ±-   |  |                               |  |
| ANGLES ±   |  |                               |  |
| MATERIAL -   |  |                               |  |
| FINISH -   |  |                               |  |
|  |  | Customer Drawing              | SCALE 2:1  |
|  |  |                               | SHEET 1 OF 1   |
|  |  |                               | REV F  |

单击下面可查看定价，库存，交付和生命周期等信息

[>>TE Connectivity\(泰科\)](#)