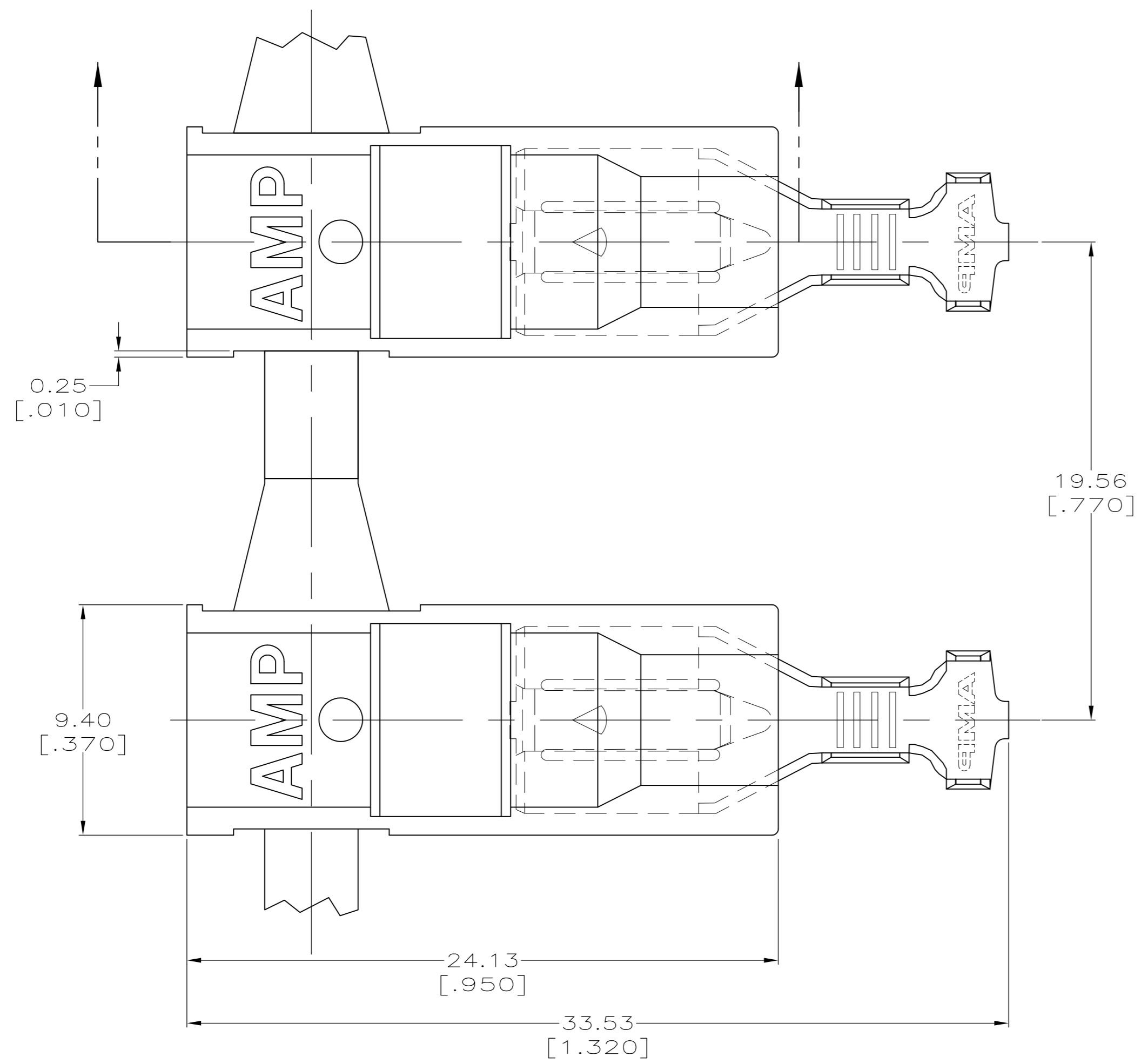
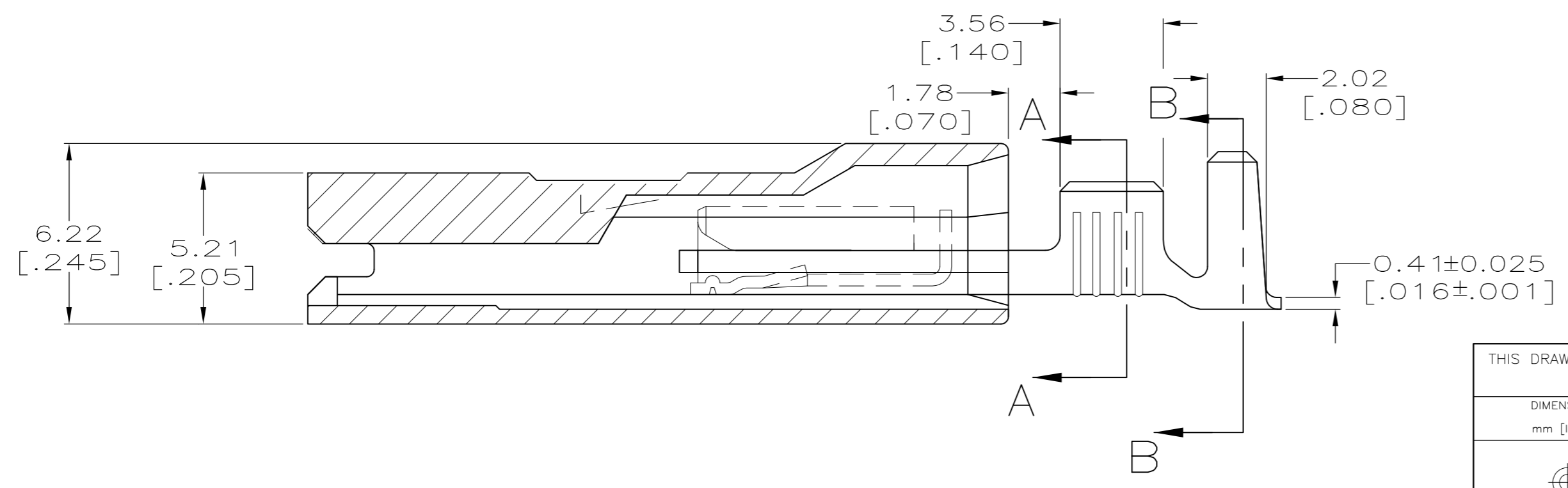
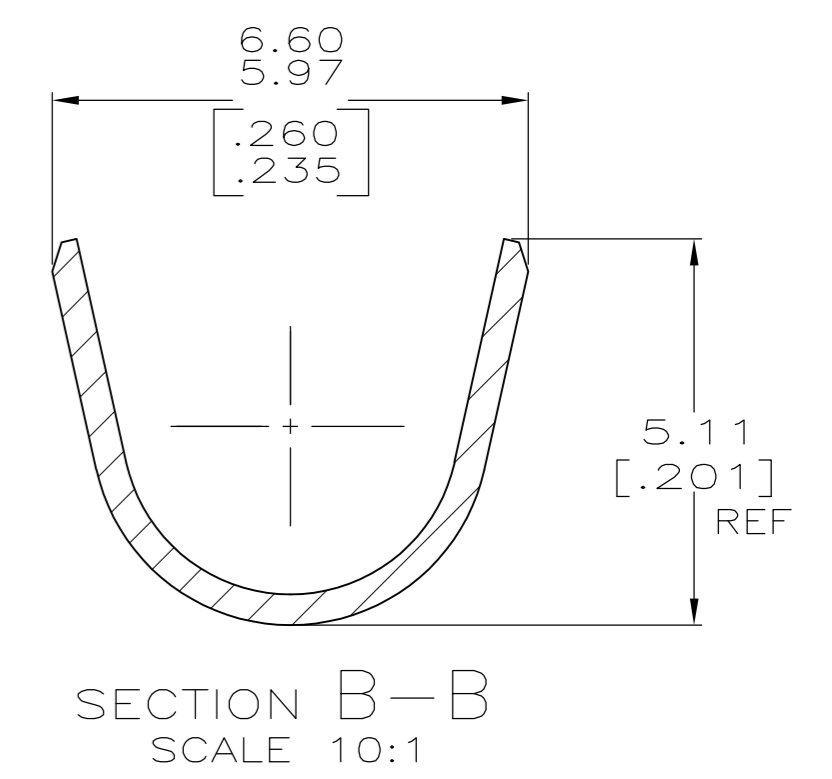
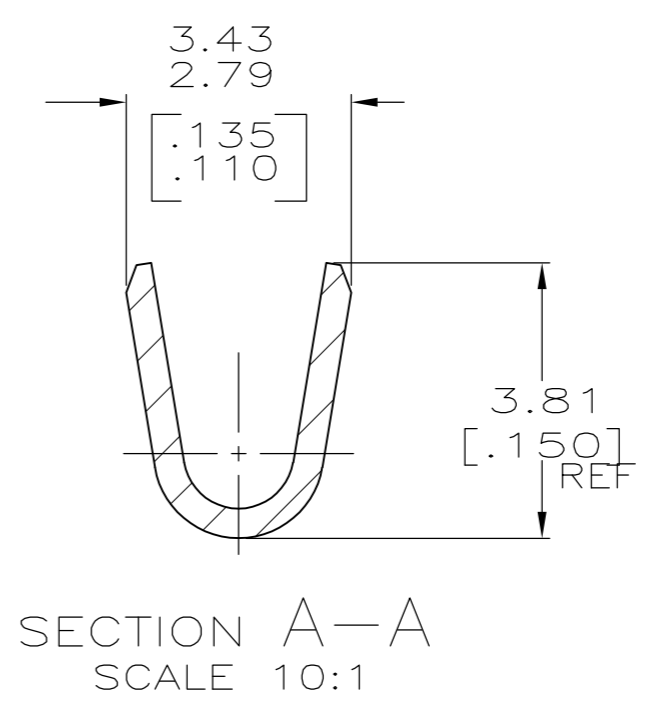


THIS DRAWING IS UNPUBLISHED. RELEASED FOR PUBLICATION  
 © COPYRIGHT - By - ALL RIGHTS RESERVED.

LOC	DIST	REVISIONS			
P	LTR	DESCRIPTION	DATE	DWN	APVD
AF	50	H	REVISED PER ECR-12-013219	08JAN13	KH KR



- 1 MATING TAB THK TO BE 0.81±0.025 [.032±.001]
- 2 TIN PLATE 0.001016 [.000040] MIN THK.
- 3 WIRE SIZE IS [#18-#14] AWG.
- 4 INSULATION RANGE IS 2.79-4.57 [.110-.180] DIA.  
 2.79-3.56 [.110-.140] DIA - CRIMP WIDTH 4.57 [.180], F TYPE  
 3.56-4.57 [.140-.180] DIA - CRIMP WIDTH 4.57 [.180], O TYPE
- 5 PRELIMINARY - NOT FOR PRODUCTION



COLOR	FINISH	PART NO.
RED	2 TIN	5 521213-4
BLUE	2 TIN	5 521213-3
NATURAL	2 TIN	521213-2
NATURAL	-	521213-1

THIS DRAWING IS A CONTROLLED DOCUMENT.		DWN	JR RUTH	1APR99
DIMENSIONS: mm [INCHES]		CHK	MS FEHER	1APR99
TOLERANCES UNLESS OTHERWISE SPECIFIED:		APVD	J HUMMEL	1APR99
0 PLC	± -	PRODUCT SPEC	NAME	
1 PLC	± -	APPLICATION SPEC	ASSEMBLY, RECEPTACLE, ULTRA-POD, 6.35 [.250] SERIES	
2 PLC	± 0.25 [.010]	WEIGHT	SIZE	A2
3 PLC	± -	MATERIAL	CAGE CODE	00779
4 PLC	± -	TERMINAL - SEE TABLE	DRAWING NO	C=521213
ANGLES	± -	HOUSING - SEE TABLE	RESTRICTED TO	-
MATERIAL		CUSTOMER DRAWING	SCALE	5:1
TERMINAL - BRASS		SHEET		1 of 1
HOUSING - 6/6 NYLON, V2		REV		H

单击下面可查看定价，库存，交付和生命周期等信息

[>>TE Connectivity\(泰科\)](#)