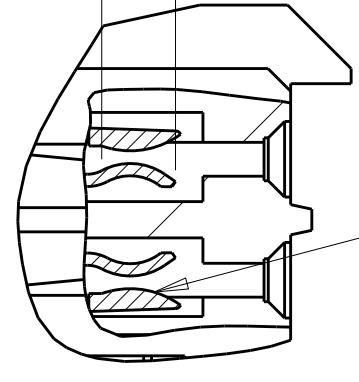


THIS DRAWING IS UNPUBLISHED. RELEASED FOR PUBLICATION 2000
 © COPYRIGHT 2000 ALL RIGHTS RESERVED.

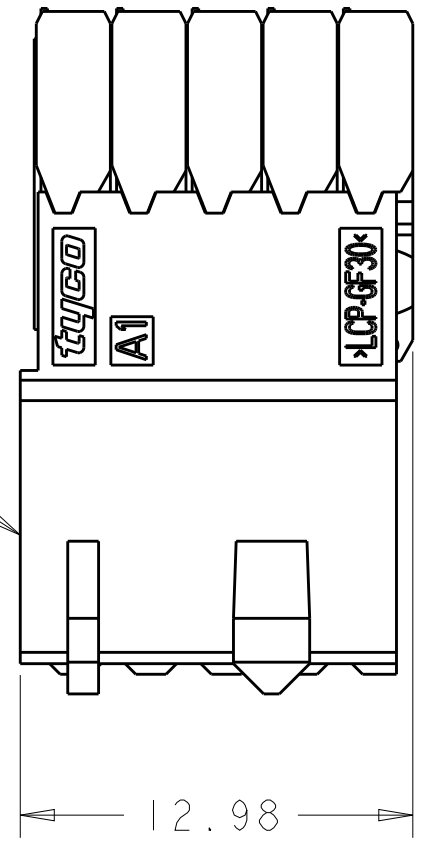
LOC	DIST	REVISIONS					
AD	00	P	LTR	DESCRIPTION	DATE	DWN	APVD
		B		REVISED PER ECO-18-020072	25DEC2018	R.L	H.L

CONTACT AREA TYPICAL



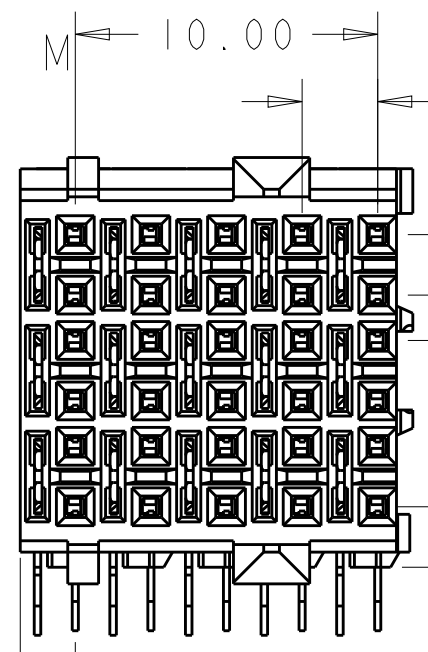
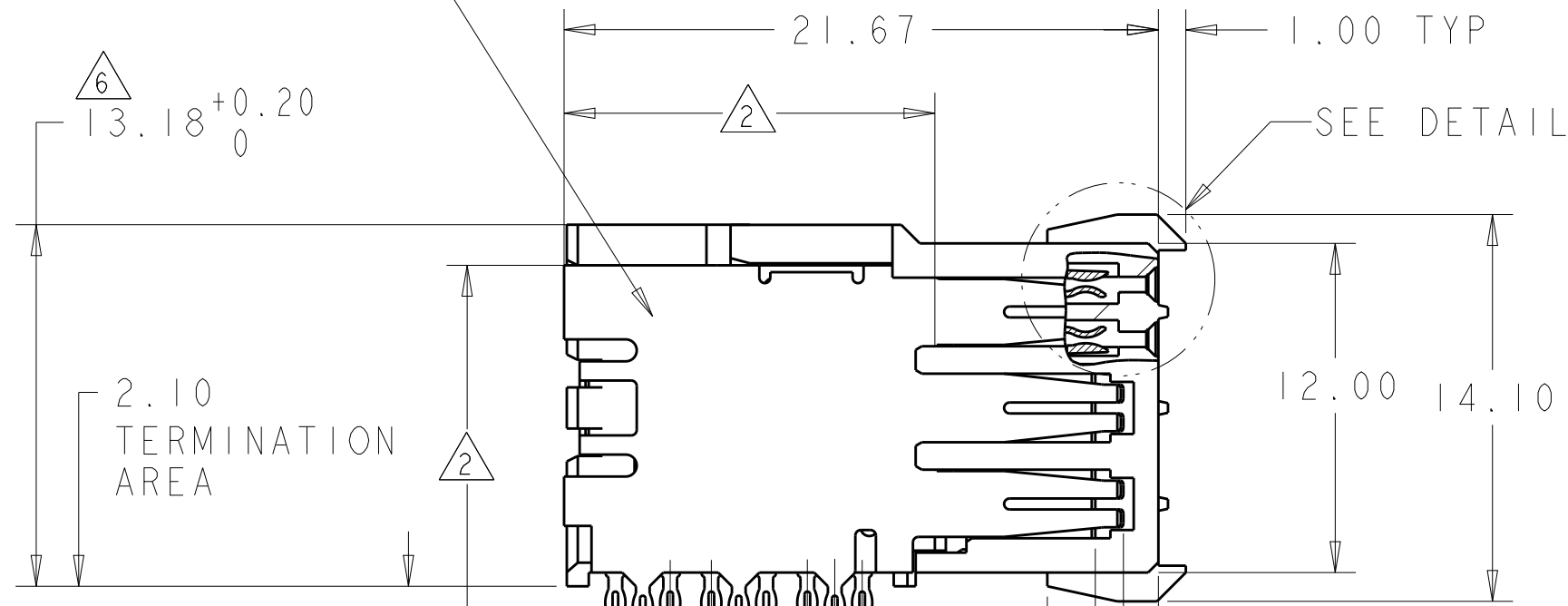
CONTACT QTY: 30

HOUSING QTY: 1

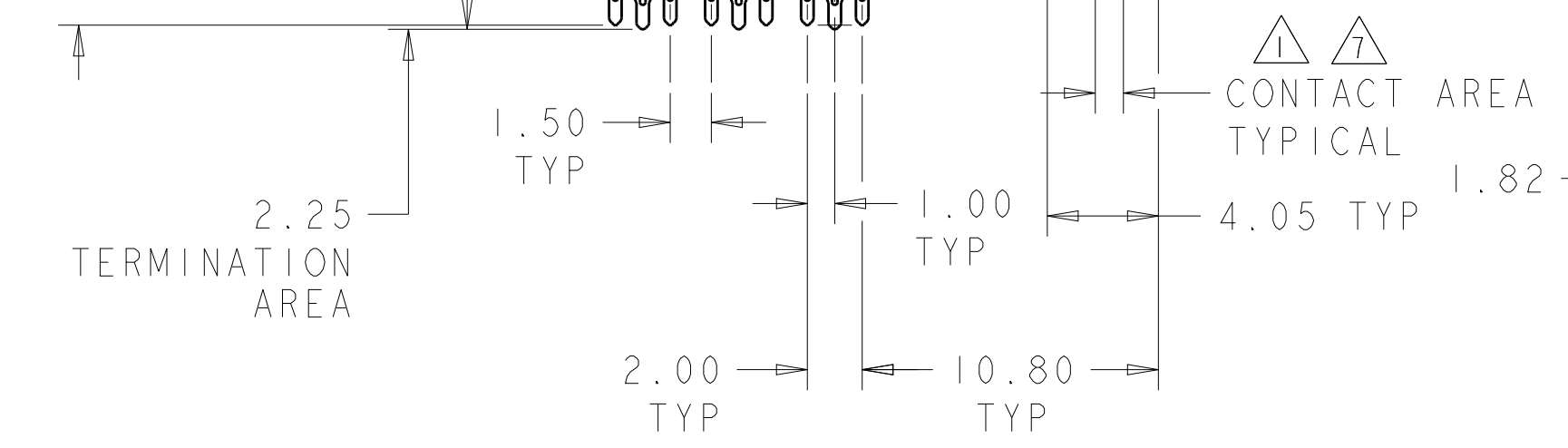


SHIELD QTY: 5

DETAIL M SCALE 8:1

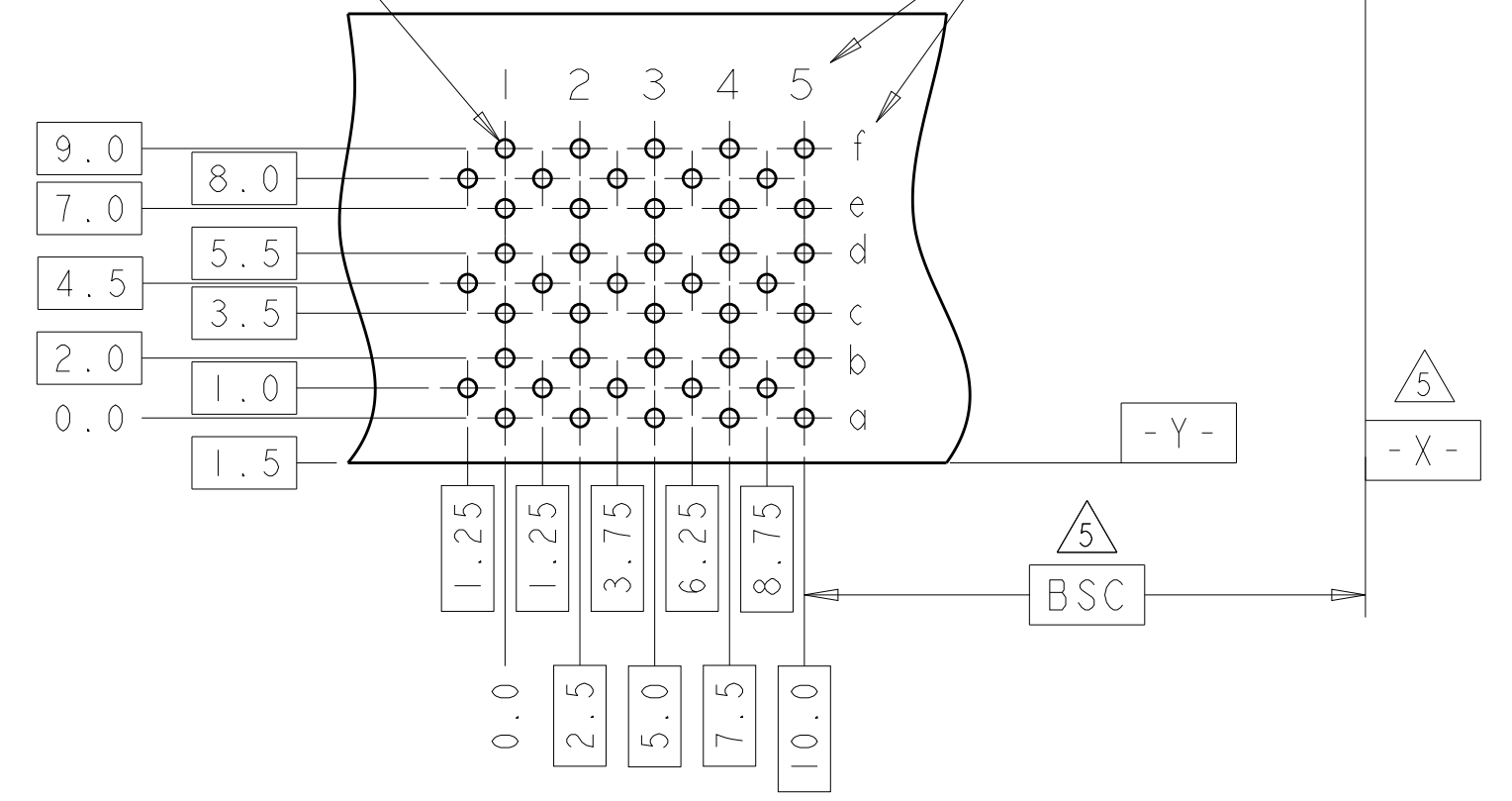


- 1 CONTACT MATING AREA MEETS THE PERFORMANCE REQUIREMENTS OF TE CONNECTIVITY PRODUCT SPECIFICATION 108-1957; BASED ON TELCORDIA GR-1217-CORE, APPLICATIONS IN UNCONTROLLED ENVIRONMENTS.
- 2 0.76µm MIN TIN OVER 1.27µm MIN NICKEL.
- 3 MATERIAL:
CONTACT - COPPER ALLOY
SHIELD - PHOSPHOR BRONZE
HOUSING AND CHICKLET - GLASS FILLED POLYESTER
- 4 REFERENCE APPLICATION SPEC 114-13020 FOR RECOMMENDED PLATED THRU HOLE DIAMETER AND PLATING THICKNESS.
- 5 DATUM AND BASIC DIMENSION ESTABLISHED BY CUSTOMER.
- 6 SEATING HEIGHT TO BOARD SURFACE.
- 7 CONTACT AREA LUBRICATED WITH BELLCORE APPROVED LUBRICANT. TECHNICAL REFERENCE: GR-1217-CORE, ISSUE 1, NOVEMBER 1995.
- 8 DATE CODE
- 9 PART NUMBER



2.00 DISTANCE FROM ROW "a" TO BOARD SURFACE

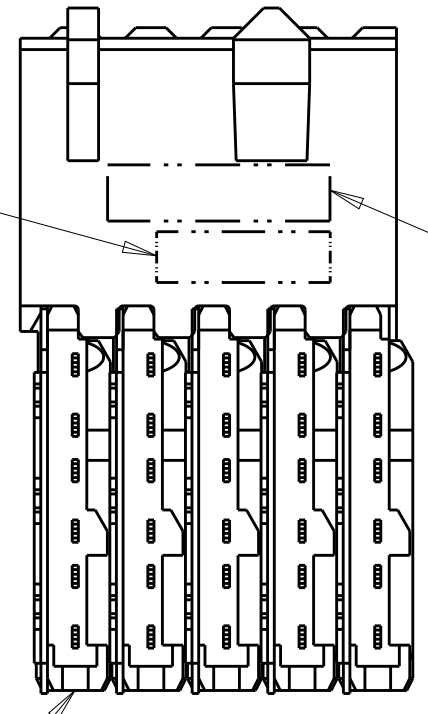
PLATED THRU HOLE TYP LOCATION REF



RECOMMENDED PRINTED CIRCUIT BOARD LAYOUT
 COMPONENT SIDE OF PRINTED CIRCUIT BOARD

120978-1
 PART NUMBER

CHICKLET QTY: 5



LOCATION REF

THIS DRAWING IS A CONTROLLED DOCUMENT.		DWN B. CARBO 19SEP05	TE Connectivity	
DIMENSIONS: mm		CHK R. PATTERSON 19SEP05		
TOLERANCES UNLESS OTHERWISE SPECIFIED:		APVD R. PATTERSON 19SEP05	NAME RECEPTACLE ASSEMBLY, 30 POSITION	
0 PLC ±		PRODUCT SPEC 108-1957	6 ROW, DUAL BEAM, Z-PACK HS3	
1 PLC ±		APPLICATION SPEC 114-13020	SIZE A2	CAGE CODE 00779
2 PLC ±0.13		WEIGHT -	DRAWING NO C-120978	RESTRICTED TO
3 PLC ±0.050		CUSTOMER DRAWING	SCALE 4:1	SHEET 1 OF 1
4 PLC ±				REV B
ANGLES ±				
FINISH				
SOLDER TAIL: 2				
CONTACT: 1				

单击下面可查看定价，库存，交付和生命周期等信息

[>>TE Connectivity\(泰科\)](#)