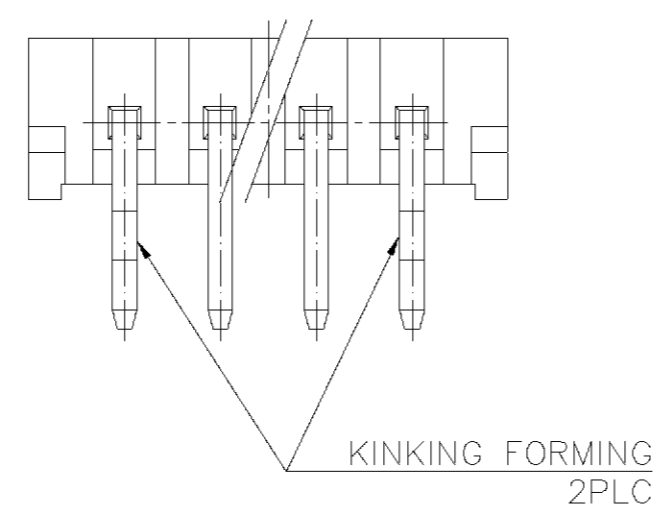
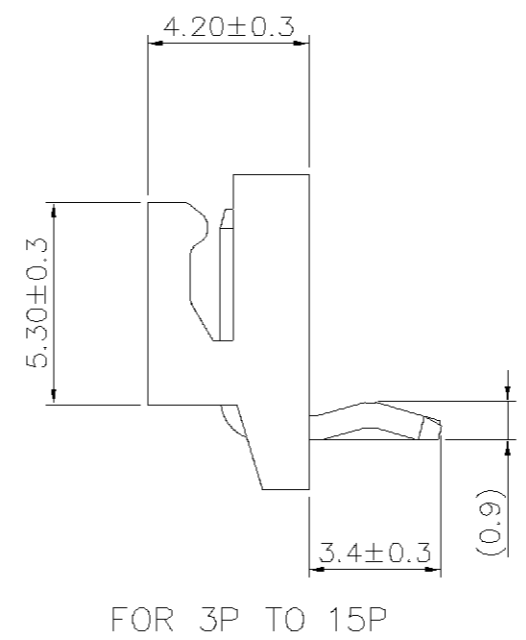
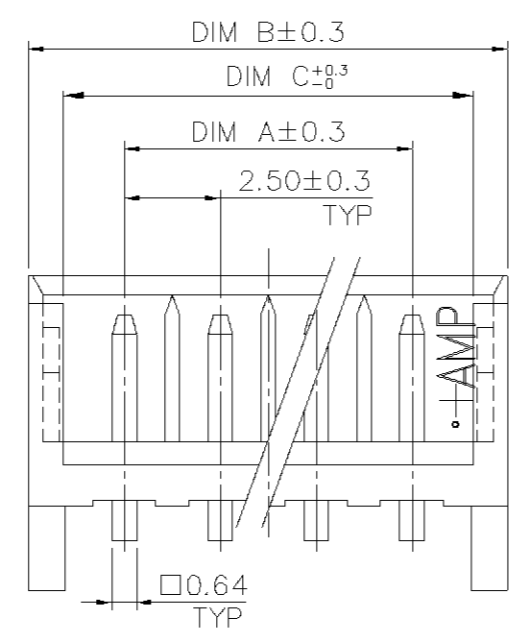
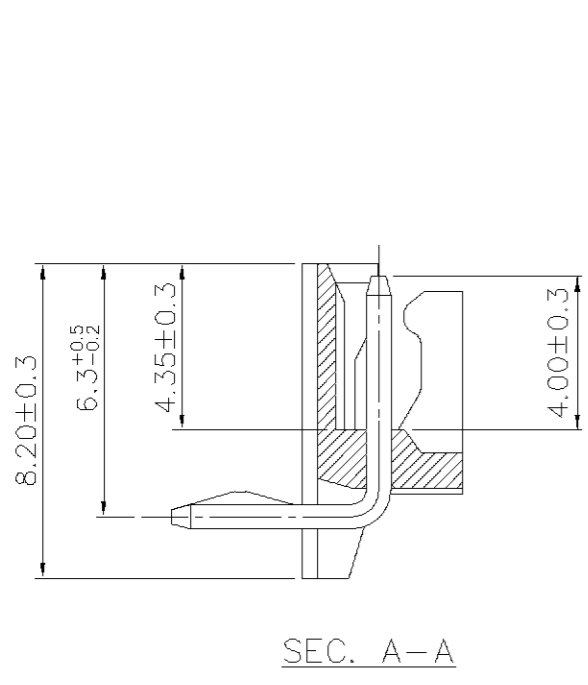


NOTE:
 1. MATERIAL: POST: BRASS TIN-PLATED
 HOUSING: NYLON 66 UL 94V-0
 2. WHEN EXTRACTING RECEPTACLE HOUSING FROM
 HEADER, NOT WIRE BUT RECEPTACLE HOUSING
 SHOULD BE GRIPED IN ORDER TO AVOID THE
 WIRE BREAKAGE.

3 OBSOLETE PARTS: OBSOLETE CIS STREAMLINING
 PER D.RENAUD/D.SINISI

4 PART 9-440053-2 IS PART 440053-3 BUT 2ND PIN REMOVED.



DIM C	DIM B	DIM A	CIRCUITS	PATR NO.
8.2	10.0	5.00	2P	9-440053-2
3 OBSOLETE	38.2	40.0	15P	1-440053-5
	35.7	37.5	14P	1-440053-4
	33.2	35.0	13P	1-440053-3
	30.7	32.5	12P	1-440053-2
	28.2	30.0	11P	1-440053-1
	25.7	27.5	10P	1-440053-0
	23.2	25.0	9P	440053-9
	20.7	22.5	8P	440053-8
	18.2	20.0	7P	440053-7
	15.7	17.5	6P	440053-6
	13.2	15.0	5P	440053-5
	10.7	12.5	4P	440053-4
	8.2	10.0	3P	440053-3
	5.7	7.5	2P	440053-2

DIMENSION : 0 PLC ± 1 PLC ± 2 PLC ± 3 PLC ± ANGLES ±		DR. A. WU 31-JAN-2001 CHK. J. CHENG 31-JAN-2001 APP. J. WU 31-JAN-2001	TE TE Connectivity NAME 2.5 MM PITCH HPI RIGHT-ANGLE POST HEADERS.	
MATERIAL SEE NOTE		PRODUCT SPEC 108-57099	LOC DW A ₃	DRAWING NO C-440053
FINISH SEE NOTE		APPLICATION SPEC	SCALE --	REV A ₃
WEIGHT		SHEET 1 OF 1		

A3	ECR-18-001415	TQ	30JAN18
LTR	REVISION RECORD	DR	DATE

单击下面可查看定价，库存，交付和生命周期等信息

[>>TE Connectivity\(泰科\)](#)