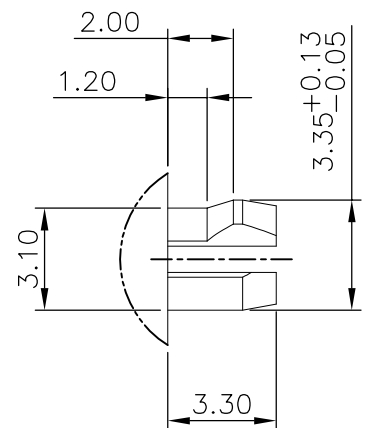
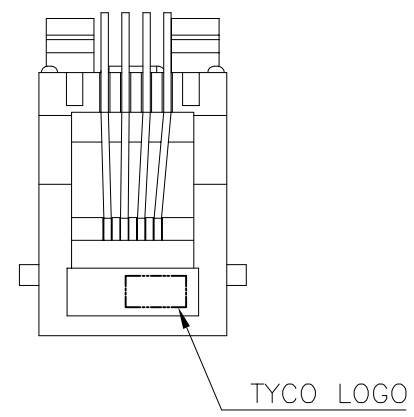
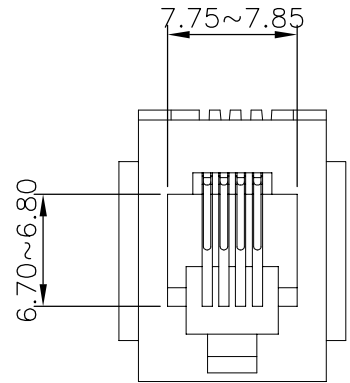


THIS DRAWING IS UNPUBLISHED. RELEASED FOR PUBLICATION
 © COPYRIGHT 2011 BY TYCO ELECTRONICS CORPORATION. ALL RIGHTS RESERVED.

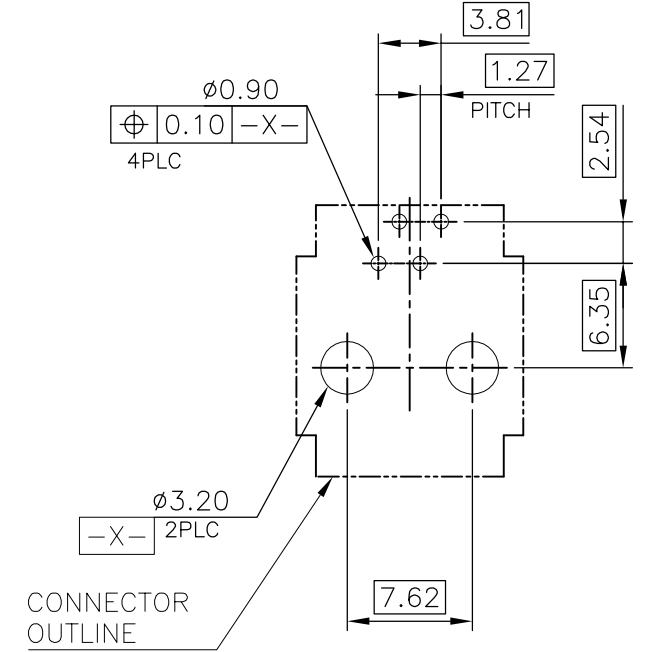
LOC	DIST	REVISIONS			
P	LTR	DESCRIPTION	DATE	DWN	APVD
DW	/	B4	ECO-14-012616	30DEC2014	LL SH



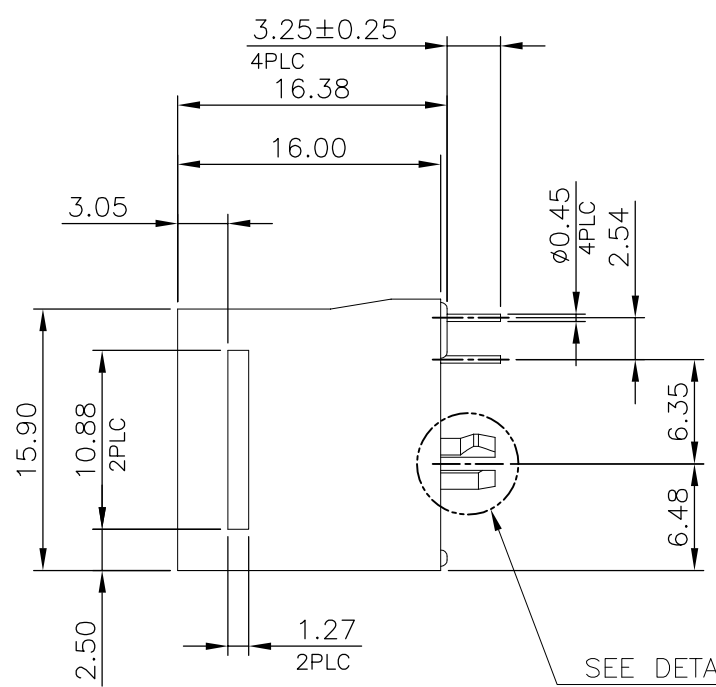
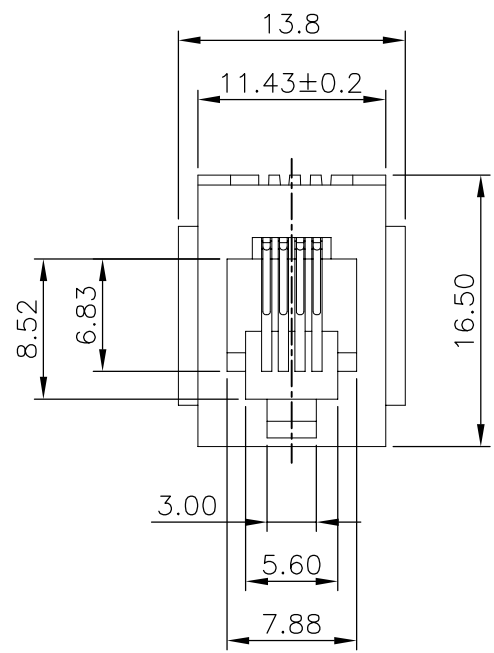
DETAIL X
SCALE 2:1



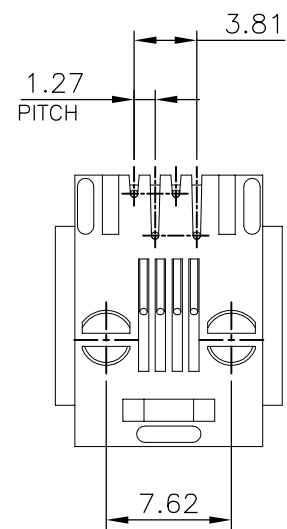
FOR 1-1775090-5 ONLY



RECOMMENDED PCB LAYOUT
 RECOMMENDED PCB THICKNESS: 1.6mm.
 TOLERANCE: ±0.05 (TOP VIEW)



SEE DETAIL X



STATUS	FINISH	MIN. GOLD THICKNESS	PART NUMBER
OBSOLETE	PA46 ④	0.76um[30u"]	1-1775090-5
		1.27um[50u"]	1-1775090-4
		0.76um[30u"]	1-1775090-3
		0.38um[15u"]	1-1775090-2
OBSOLETE	PBT ③	0.15um[6u"]	1-1775090-1
		1.27um[50u"]	1-1775090-4
		0.76um[30u"]	1775090-3
		0.38um[15u"]	1-1775090-2
		0.15um[6u"]	1-1775090-1

- NOTES:
- MATERIAL:
 - HOUSING: THERMOPLASTIC (SEE TABLE) WITH 30% GF, UL94V-0, COLOR: BLACK.
 - CONTACT: PHOSPHOR BRONZE.
 - FINISH:
 - CONTACT: (SEE TABLE) GOLD PLATED ON ALL CONTACTS, 1.27um [50u"] MIN. NICKEL UNDERPLATED OVERALL.
- ③ WAVE SOLDER CAPABLE TO 240°C PER 109-202, CONDITION A.
 ④ REFLOW SOLDER CAPABLE TO 260°C PER TEC-109-201, CONDITION B.

THIS DRAWING IS A CONTROLLED DOCUMENT.		DWN O. HU 08DEC2006	TE Connectivity	
		CHK S. HOU 08DEC2006		
DIMENSIONS: mm 		APVD W.J. KE 08DEC2006	NAME	
TOLERANCES UNLESS OTHERWISE SPECIFIED: 0 PLC ± - 1 PLC ± 0.3 2 PLC ± 0.2 3 PLC ± 0.15 4 PLC ± - ANGLES ± 3'		PRODUCT SPEC 108-57535	MODULAR JACK, RJ11, LOW PROFILE, V/T	
MATERIAL SEE NOTE		FINISH SEE NOTE	WEIGHT 2.88 GRAMS	RESTRICTED TO
		CUSTOMER DRAWING	SIZE A3	CAGE CODE 00779
			DRAWING NO C=1775090	REVISION B4
			SCALE -	SHEET 1 OF 2

4

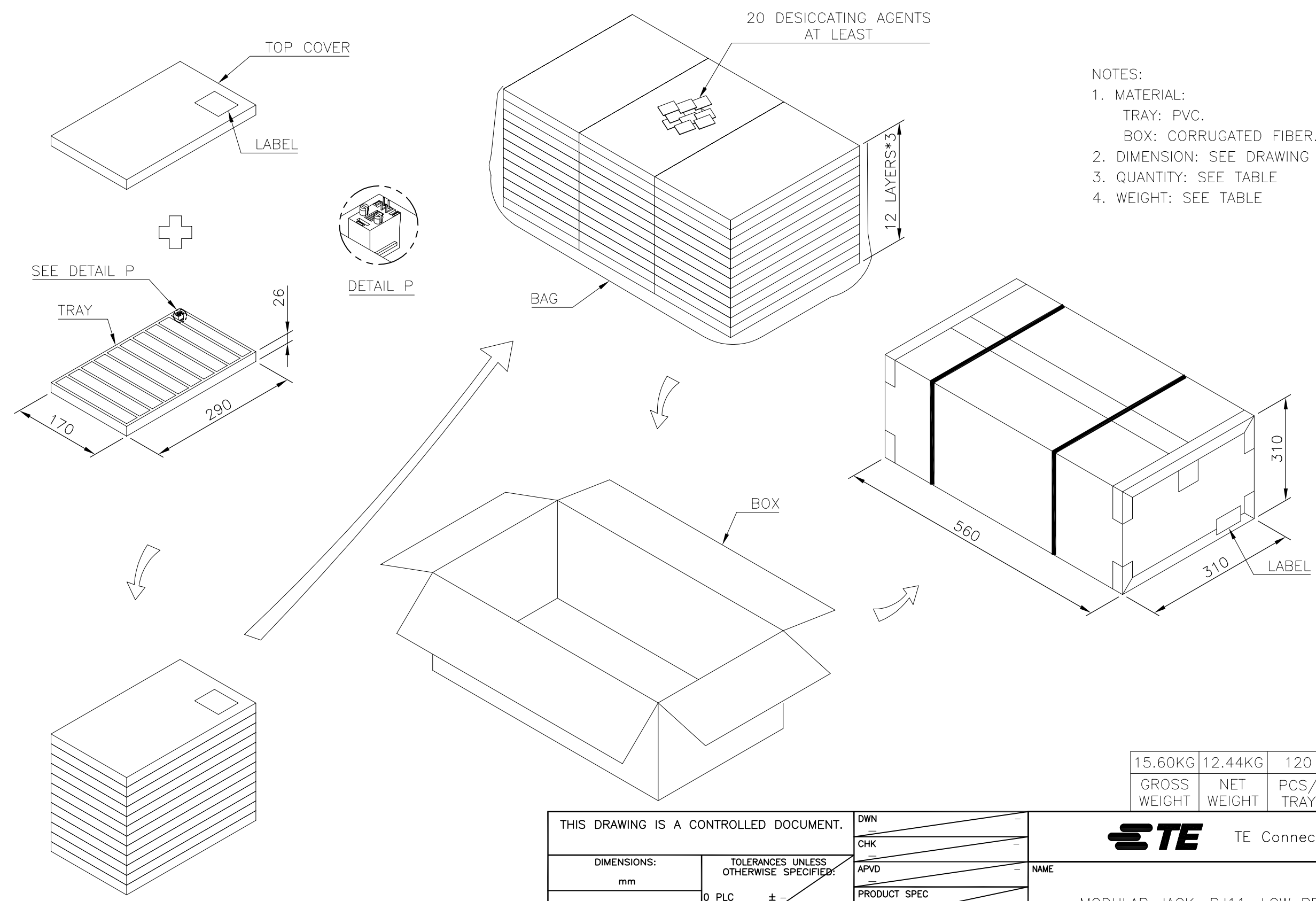
3

2

1

THIS DRAWING IS UNPUBLISHED. RELEASED FOR PUBLICATION
 © COPYRIGHT 2011 BY TYCO ELECTRONICS CORPORATION. ALL RIGHTS RESERVED.

LOC	DIST	REVISIONS				
P	LTR	DESCRIPTION	DATE	DWN	APVD	
		SEE SHEET 1.				



NOTES:
 1. MATERIAL:
 TRAY: PVC.
 BOX: CORRUGATED FIBER.
 2. DIMENSION: SEE DRAWING
 3. QUANTITY: SEE TABLE
 4. WEIGHT: SEE TABLE

15.60KG	12.44KG	120	36	4320
GROSS WEIGHT	NET WEIGHT	PCS/ TRAY	TRAY/ BOX	PCS/ BOX

THIS DRAWING IS A CONTROLLED DOCUMENT.

DIMENSIONS: mm	TOLERANCES UNLESS OTHERWISE SPECIFIED: 0 PLC ± - 1 PLC ± 0.3 2 PLC ± 0.2 3 PLC ± 0.15 4 PLC ± - ANGLES ± 3'	DWN	TE Connectivity NAME MODULAR JACK, RJ11, LOW PROFILE, V/T
	MATERIAL	CHK	
	FINISH	APVD	
		PRODUCT SPEC	
		APPLICATION SPEC	SIZE
		WEIGHT	CAGE CODE
		CUSTOMER DRAWING	DRAWING NO
			RESTRICTED TO
			SCALE
			SHEET 2 OF 2
			REV B4

单击下面可查看定价，库存，交付和生命周期等信息

[>>TE Connectivity\(泰科\)](#)