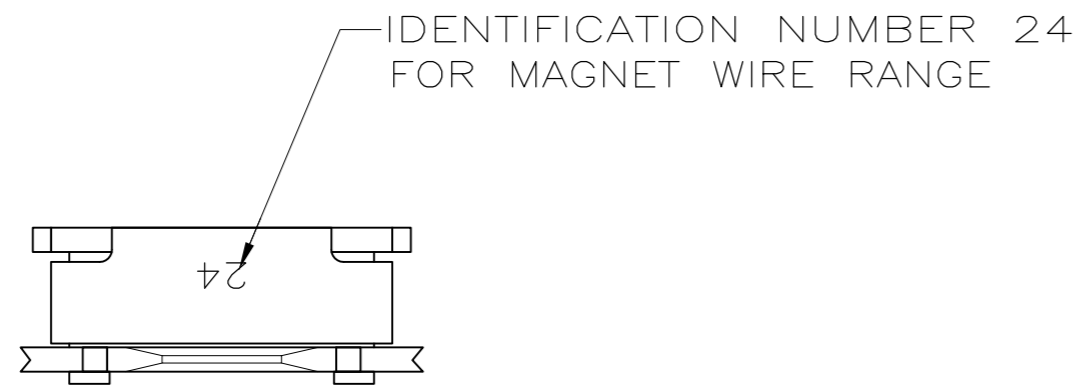
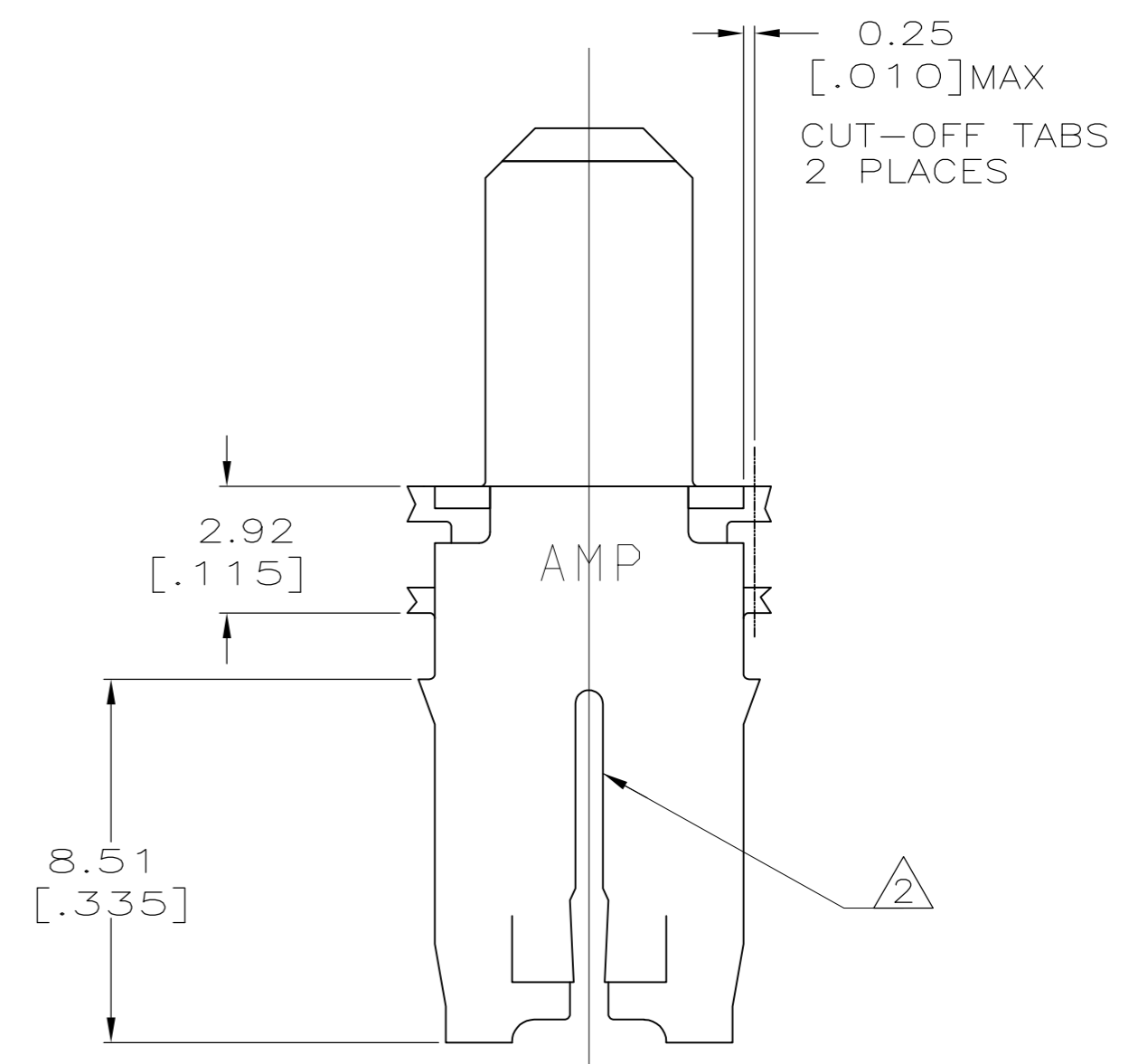
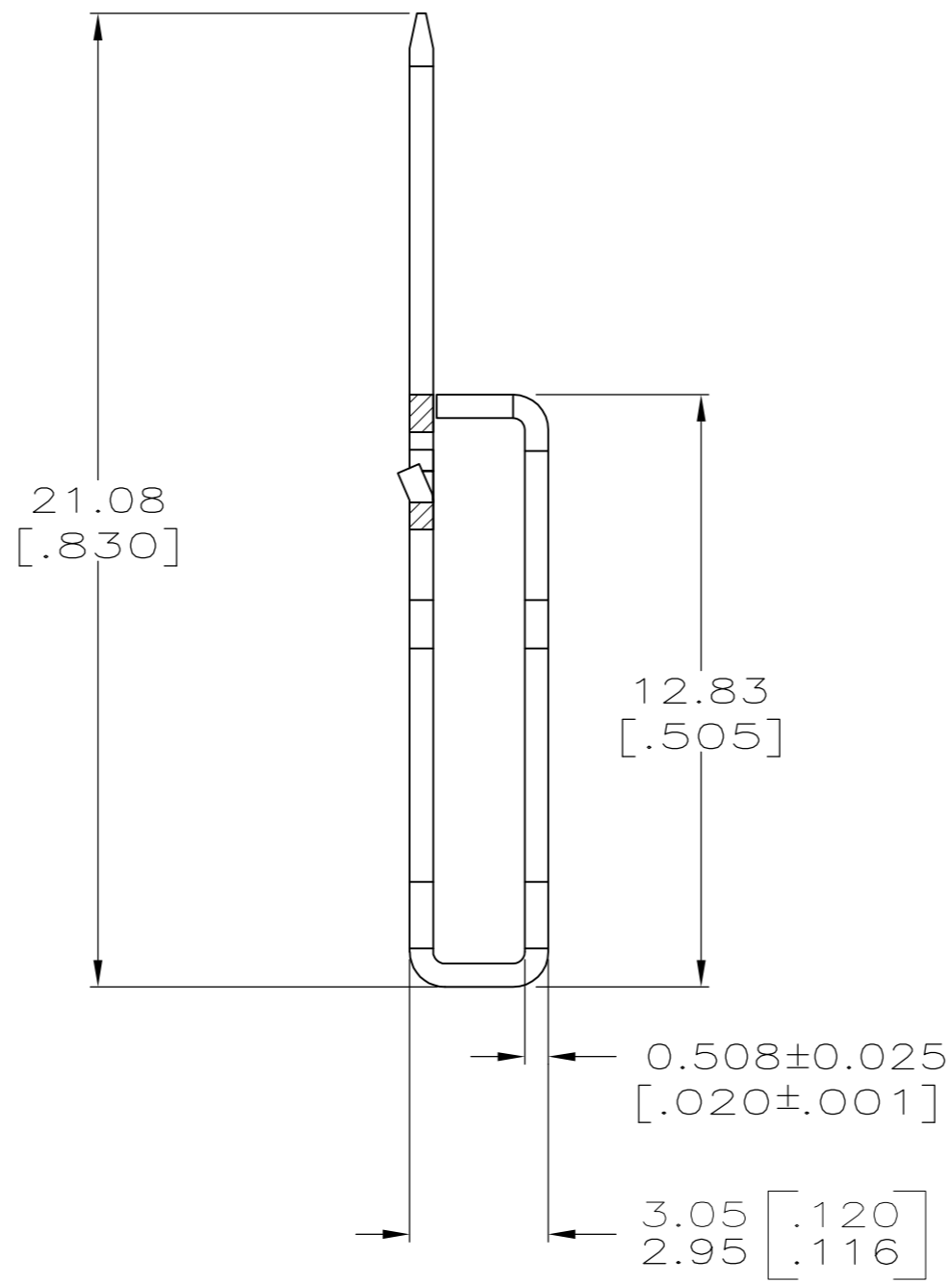
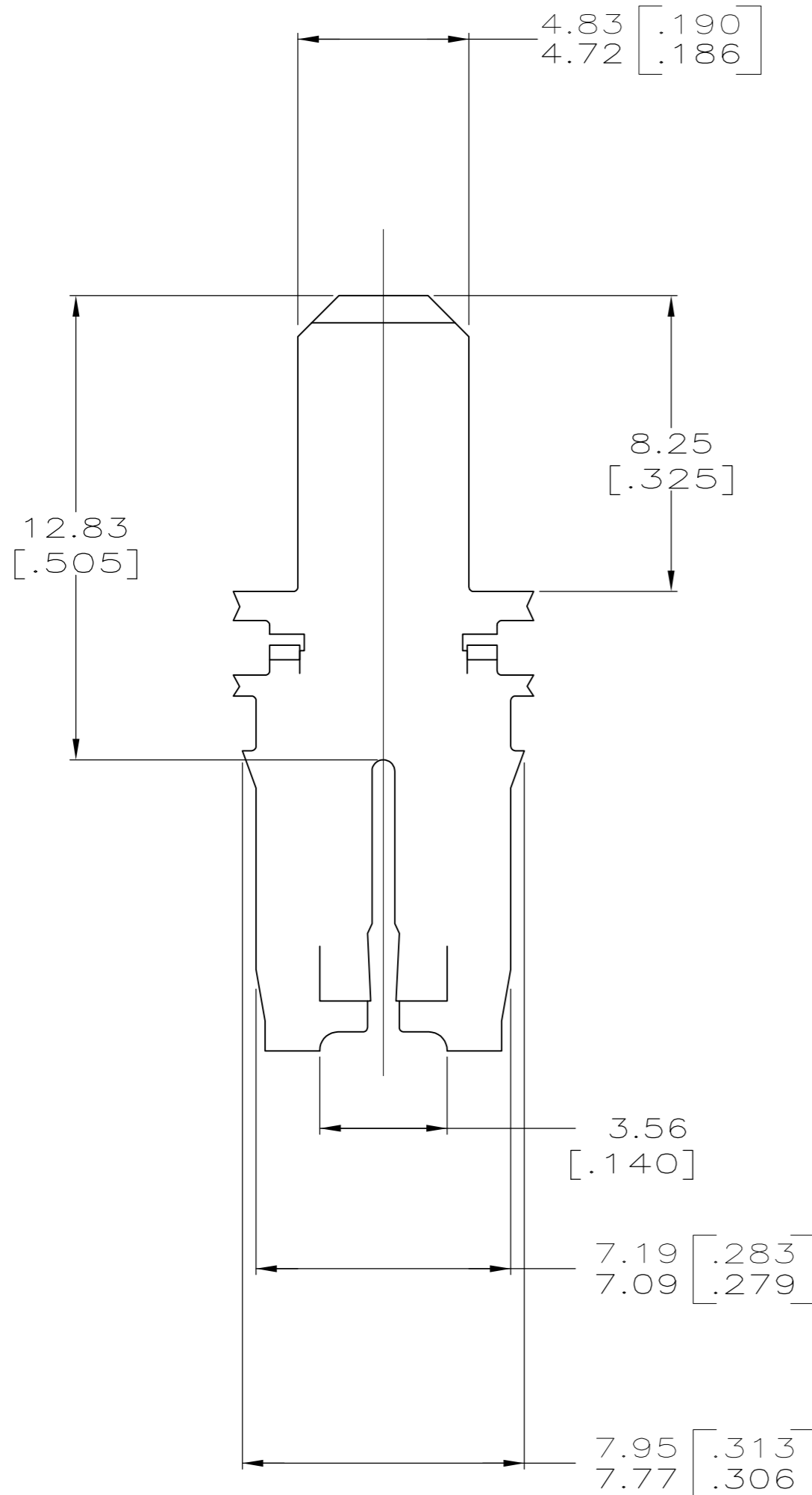


THIS DRAWING IS UNPUBLISHED. RELEASED FOR PUBLICATION  
 © COPYRIGHT - By - ALL RIGHTS RESERVED.

LOC	DIST	REVISIONS			
P	LTR	DESCRIPTION	DATE	DWN	APVD
AF	50	C1	ECR-13-016672	25OCT13	PKS/RRP



- 1 CONTINUOUS STRIP ON REELS WITH TERMINALS LOCATED ON 8.38±0.08 [.330± .003] CENTERS.
- 2 SLOT ACCEPTS 0.91-1.15mm [#19-#17] AWG COPPER MAGNET WIRE. 2 WIRES OF THE SAME SIZE MAX PER SLOT.
- 4 VARNISH RESIST OVER NICKEL PLATE.



1217492-1  
 PART NUMBER

THIS DRAWING IS A CONTROLLED DOCUMENT.		DWN MICHAEL S. FEHER 20SEP2000	TE Connectivity	
DIMENSIONS: INCHES		CHK KURT A. RANDOLPH 21SEP2000	NAME	
TOLERANCES UNLESS OTHERWISE SPECIFIED:		APVD KURT A. RANDOLPH 21SEP2000	PRODUCT SPEC	
0 PLC ± -		108-2012		
1 PLC ± -		APPLICATION SPEC		
2 PLC ± 0.25[.010]		114-2066		
3 PLC ± -		WEIGHT -		
4 PLC ± -		SIZE A2 CAGE CODE 00779 DRAWING NO. 1217492		
ANGLES ± -		RESTRICTED TO -		
FINISH		SCALE 6:1 SHEET 1 of 1 REV C1		
MATERIAL BRASS		CUSTOMER DRAWING		

单击下面可查看定价，库存，交付和生命周期等信息

[>>TE Connectivity\(泰科\)](#)