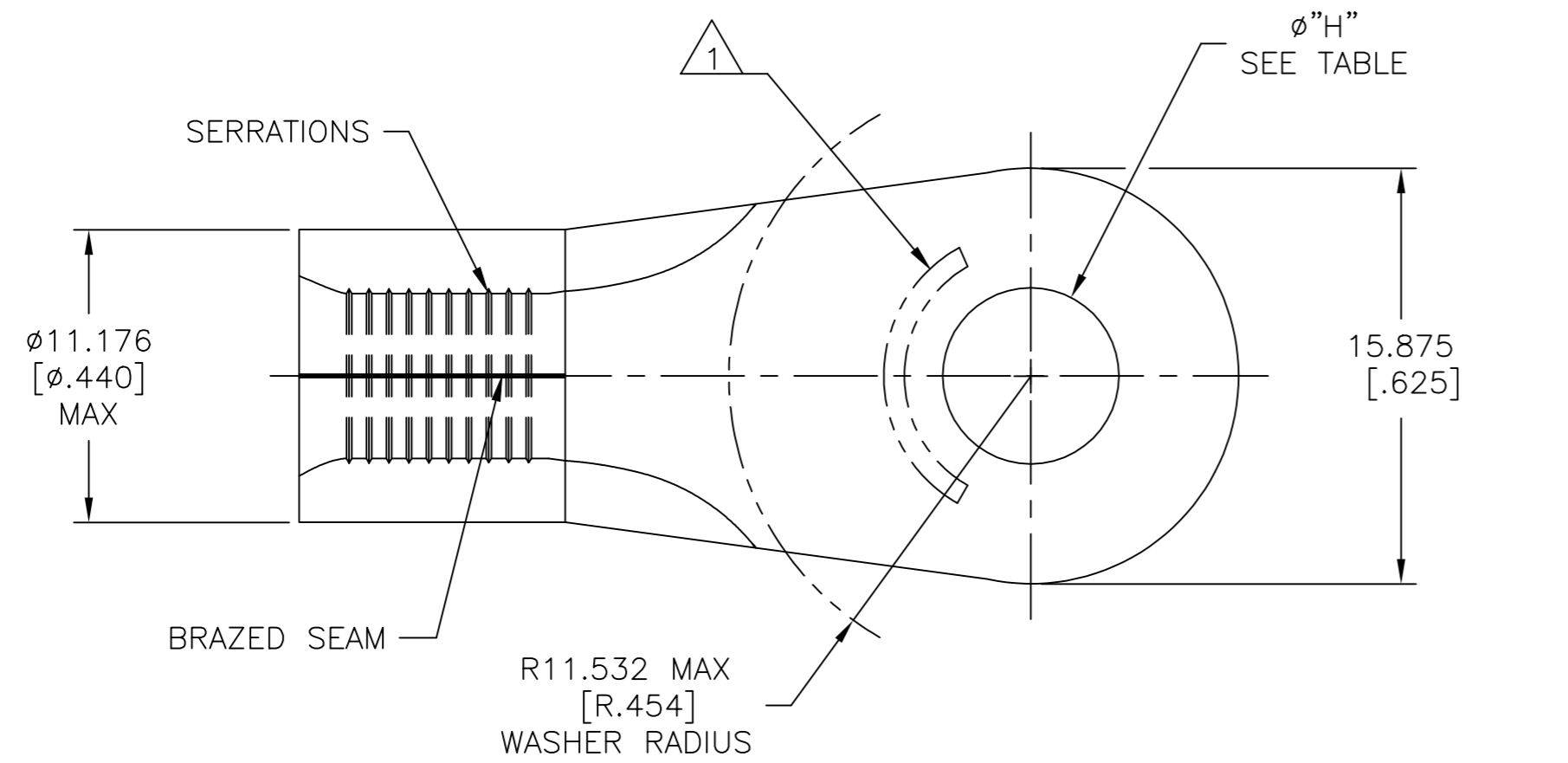


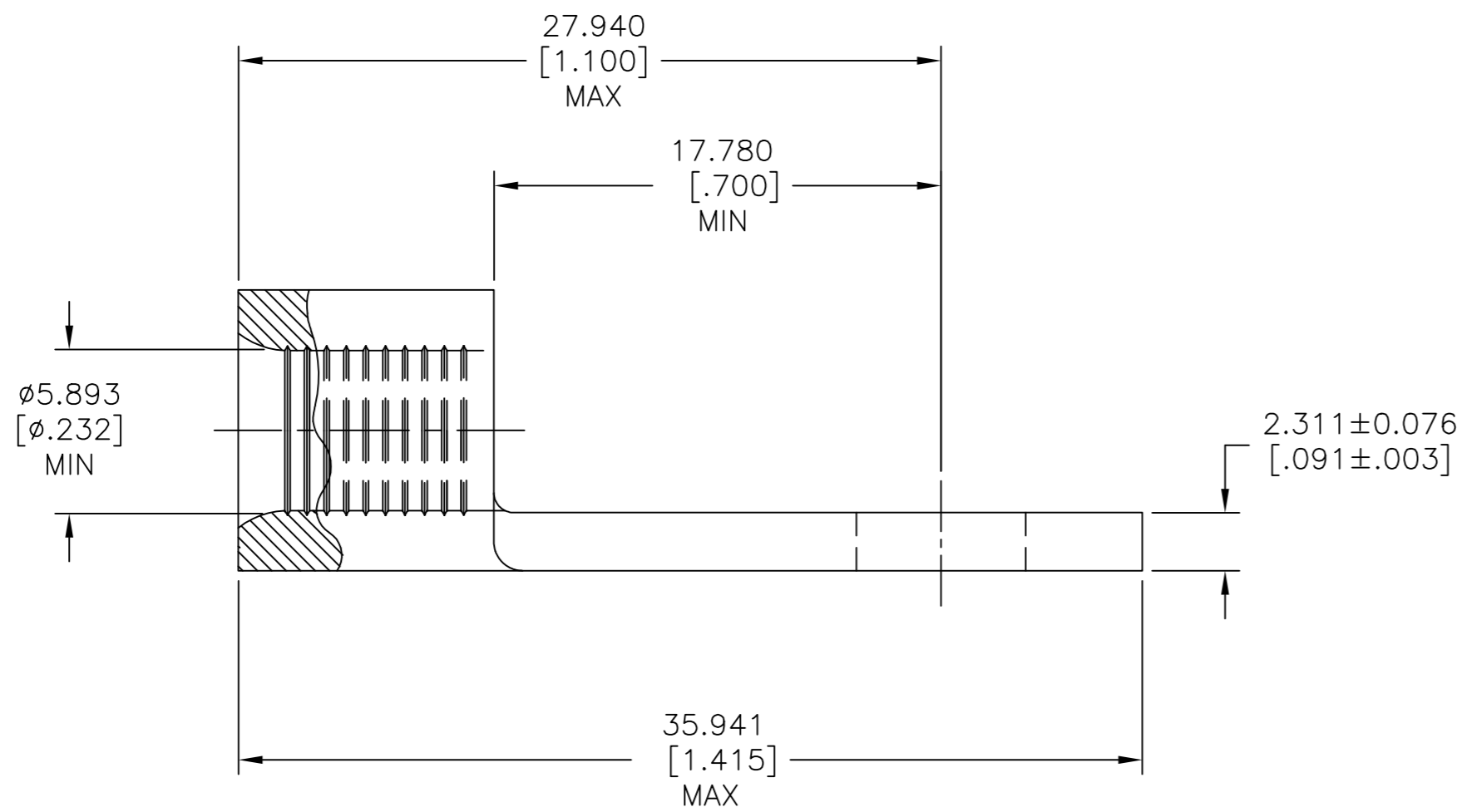
THIS DRAWING IS UNPUBLISHED. RELEASED FOR PUBLICATION
 © COPYRIGHT - TE Connectivity Ltd. ALL RIGHTS RESERVED.

REVISIONS					
P	LTR	DESCRIPTION	DATE	DWN	APVD
C		REV & REDRAWN PER 0720-0040-93	3-24-93	TAB	DAP
C1		REVISED PER ECO-17-008808	05MAR2018	RS	DR



AMP WIRE RANGE	E13288 Listed
6HD AWG SOLID OR STRANDED	6HD AWG STRANDED
LR7189 Certified	MILITARY P/N AND CLASS
6HD AWG SOLID OR STRANDED	NOT APPLICABLE

1 STAMP AMP 6HDW* APPROX AS SHOWN



100	LOOSE PIECE	3/8	$\phi 9.906 \pm 0.127$ [0.390 ± 0.005]	1-331417-1
QUANTITY	PACKAGE TYPE	STUD SIZE	"H"	PART NO

AMP INCORPORATED CUSTOMER SERVICE SYSTEMS			THIS DRAWING IS A CONTROLLED DOCUMENT.		DWN TA BRINKMAN 3-24-93		TE Connectivity Ltd.	
FOR ADDITIONAL PRODUCT INFORMATION OR COPIES OF DRAWINGS AND TECHNICAL DOCUMENTS	PRODUCT INFORMATION CENTER 1-800-522-6752	MAX RECOMMENDED OPERATING TEMPERATURE: 170°C [338°F] MAX	DIMENSIONS: mm [INCHES]	TOLERANCES UNLESS OTHERWISE SPECIFIED:	CHK DA PATTERSON 3-24-93	APVD JL MECKLEY 3-24-93	NAME TERMINAL, RING TONGUE, HEAVY DUTY, SOLISTRAND™ 6 AWG	
FOR APPLICATION	TOOLING ASSISTANCE CENTER 1-800-722-1111	VOLTAGE RATING: NOT APPLICABLE		0 PLC ± -	PRODUCT SPEC	UL 486 A-B	SIZE	CAGE CODE
TOOLING INFORMATION	1-800-722-1111	WIRE CROSS SECTIONAL AREA RANGE, 10.5-16.8mm² [20,800-33,100] CIR MILS SOLID OR STRANDED		1 PLC ± -	APPLICATION SPEC	-	A2	00779
FOR ORDER ENTRY	1-800-526-5142		2 PLC ± -	FINISH	WEIGHT	-	SCALE	SHEET
			3 PLC ± 0.127[.005]	TIN PLATE 0.00254[.000100] MIN THK PER ASTM B545	CUSTOMER DRAWING	4:1	1	OF 1
			4 PLC ± -					REV
			ANGLES ± -					C1

331417

单击下面可查看定价，库存，交付和生命周期等信息

[>>TE Connectivity\(泰科\)](#)