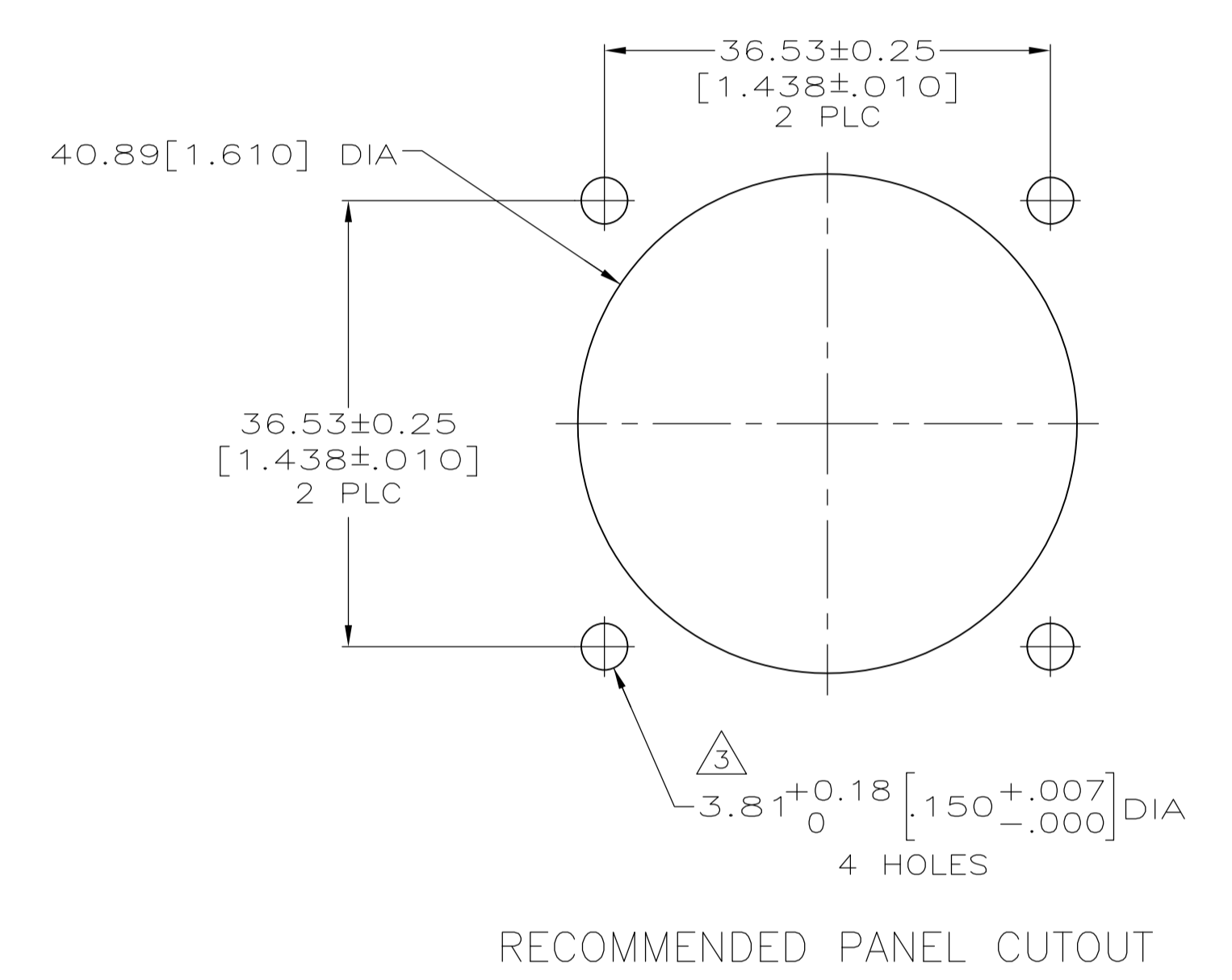
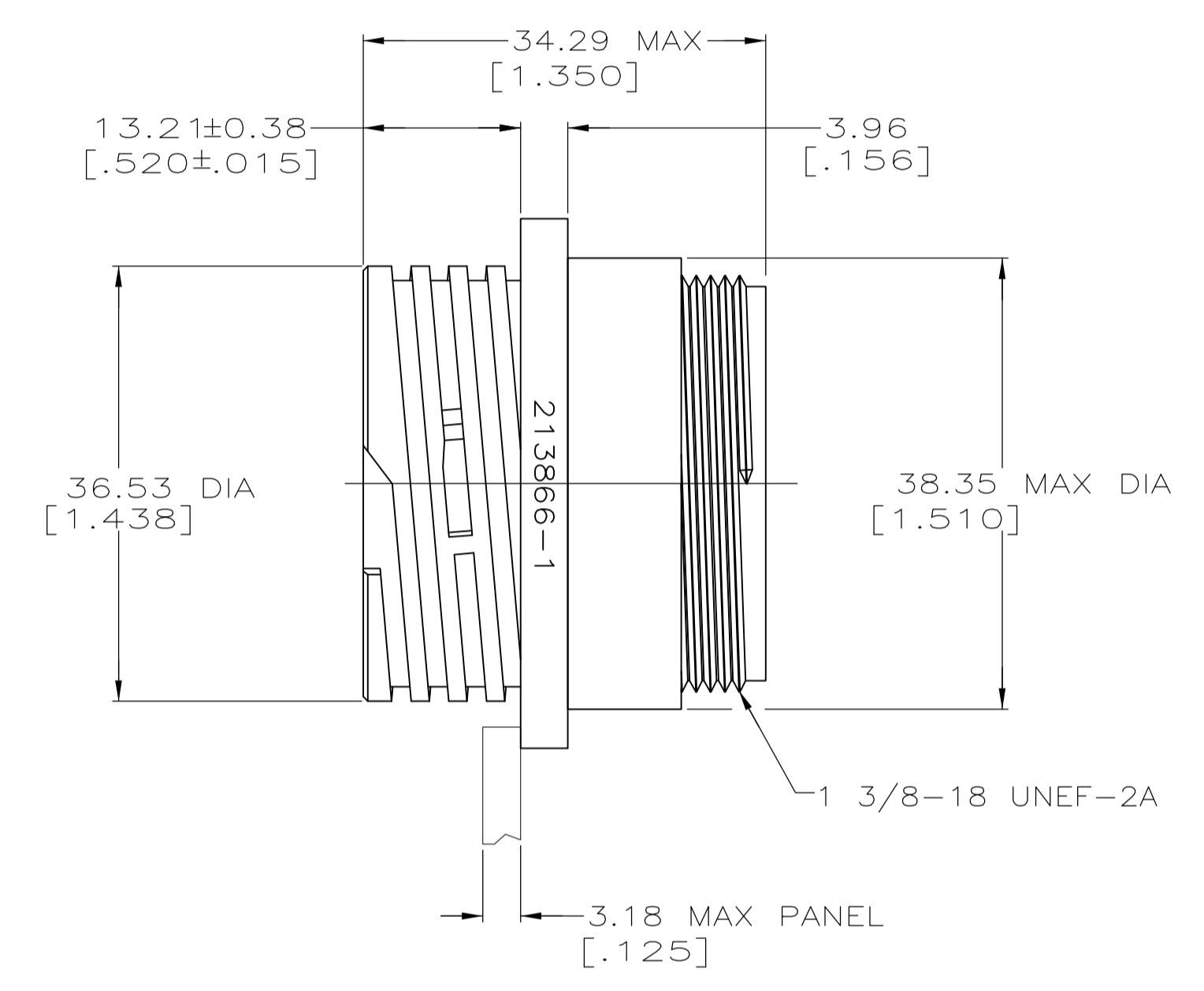
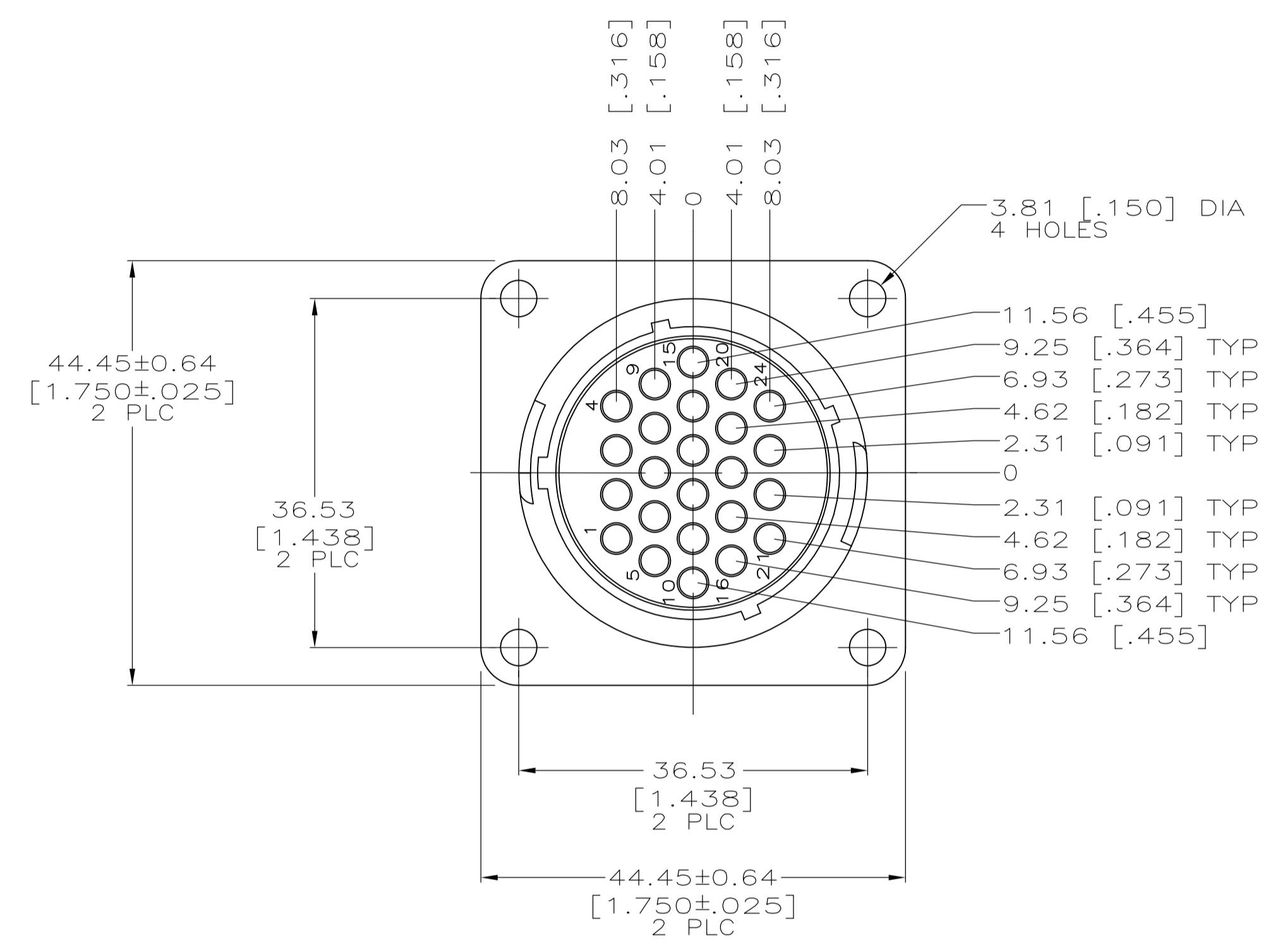


LOC		DIST		REVISIONS			
P	LTR	DESCRIPTION	DATE	DNW	APVD		
A		REVISED PER ECO-12-015521	28SEP12	KH	MZ		

- 1 CAVITY IDENTIFICATION ON FRONT AND REAR FACE.
- 2 WILL ACCEPT (24) MULTIMATE PIN CONTACTS.
- 3 NO 4 FASTENER RECOMMENDED FOR MOUNTING.
- 4 MAXIMUM INSULATION NOT TO EXCEED .150 DIA.



THIS DRAWING IS A CONTROLLED DOCUMENT.		DIN K.FOLTZ 12/23/94																															
DIMENSIONS: INCHES		TOLERANCES UNLESS OTHERWISE SPECIFIED:																															
<table border="1"> <tr><td>0 PLC</td><td>± -</td></tr> <tr><td>1 PLC</td><td>± -</td></tr> <tr><td>2 PLC</td><td>± 0.25 [.010]</td></tr> <tr><td>3 PLC</td><td>± -</td></tr> <tr><td>4 PLC</td><td>± -</td></tr> <tr><td>ANGLES</td><td>± -</td></tr> </table>		0 PLC	± -	1 PLC	± -	2 PLC	± 0.25 [.010]	3 PLC	± -	4 PLC	± -	ANGLES	± -	<table border="1"> <tr><td>APVD</td><td>R.STONE 01/05/95</td></tr> <tr><td>NAME</td><td>T.COULSON</td></tr> <tr><td>PRODUCT SPEC</td><td>108-10024</td></tr> <tr><td>APPLICATION SPEC</td><td></td></tr> </table>		APVD	R.STONE 01/05/95	NAME	T.COULSON	PRODUCT SPEC	108-10024	APPLICATION SPEC		<table border="1"> <tr><td>SIZE</td><td>CAGE CODE</td><td>DRAWING NO</td><td>RESTRICTED TO</td></tr> <tr><td>A1</td><td></td><td>00779C=213866</td><td>-</td></tr> </table>		SIZE	CAGE CODE	DRAWING NO	RESTRICTED TO	A1		00779C=213866	-
0 PLC	± -																																
1 PLC	± -																																
2 PLC	± 0.25 [.010]																																
3 PLC	± -																																
4 PLC	± -																																
ANGLES	± -																																
APVD	R.STONE 01/05/95																																
NAME	T.COULSON																																
PRODUCT SPEC	108-10024																																
APPLICATION SPEC																																	
SIZE	CAGE CODE	DRAWING NO	RESTRICTED TO																														
A1		00779C=213866	-																														
MATERIAL: NYLON, BLACK		FINISH: -		CUSTOMER DRAWING																													
		SCALE: 2:1		SHEET 1 OF 1 REV A																													

单击下面可查看定价，库存，交付和生命周期等信息

[>>TE Connectivity\(泰科\)](#)