

THIS DRAWING IS UNPUBLISHED.  
 VERTRÄGLICHE UNVERÖFFENTLICHTE ZEICHNUNG  
 © COPYRIGHT 2014 Tyco Electronics AMP GmbH  
 RELEASED FOR PUBLICATION  
 FREI FÜR VERÖFFENTLICHUNG  
 2014  
 ALL RIGHTS RESERVED.  
 ALLE RECHTE VORBEHALTEN.  
 DATED WITH  
 PASSEND ZU

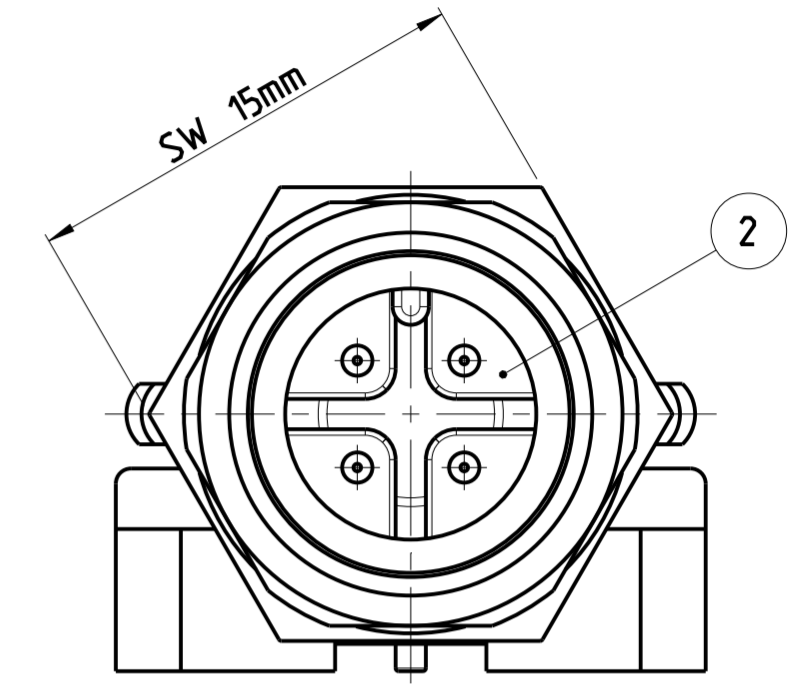
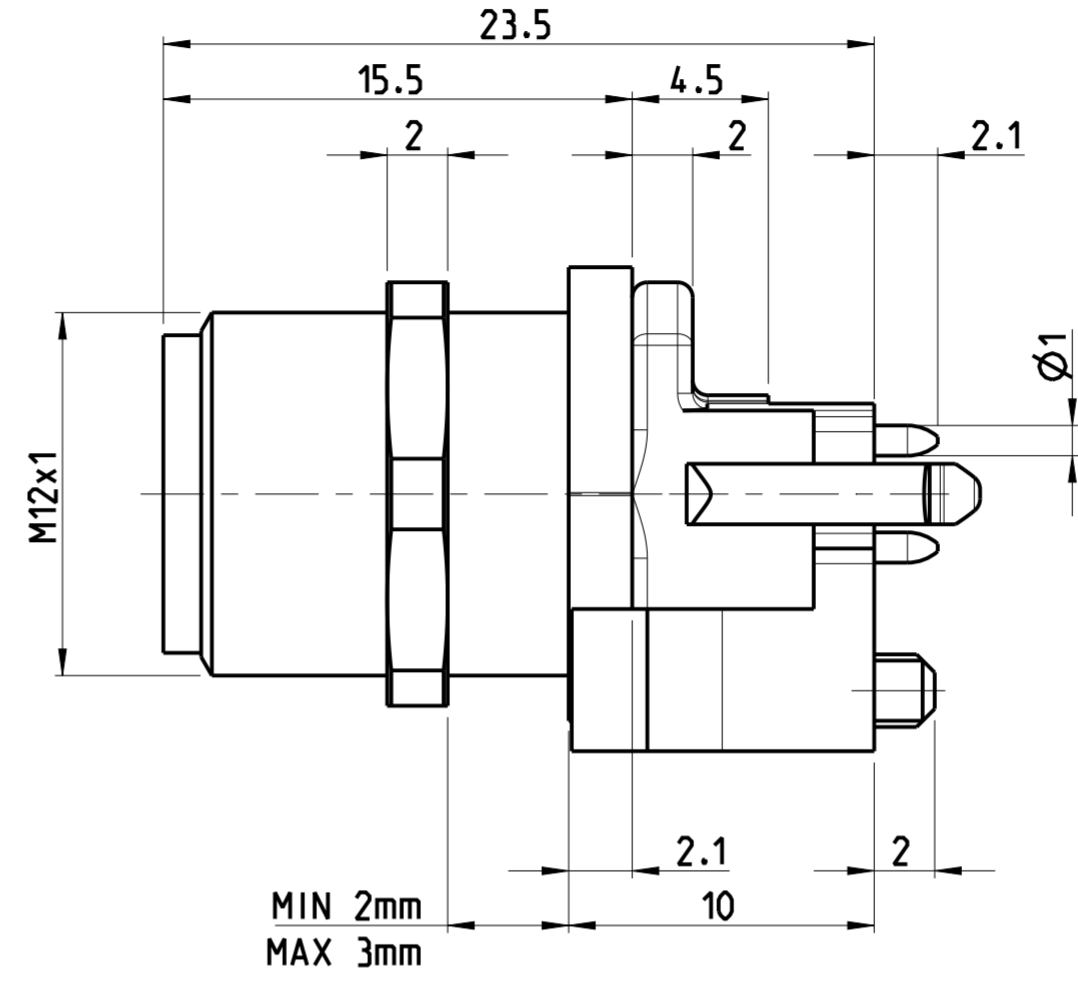
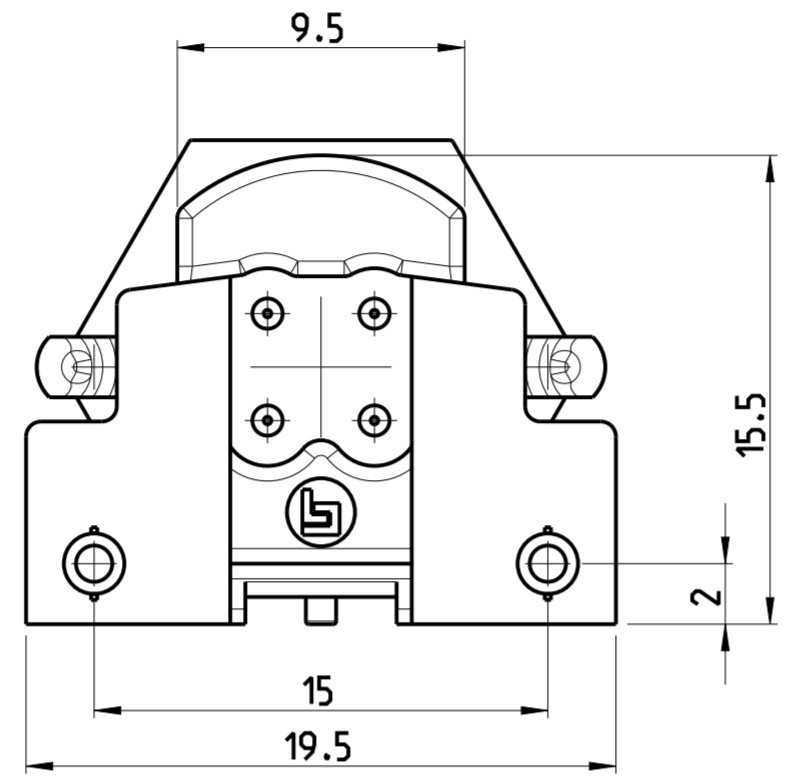
PROJECT NO.:  
 PRJ-11-000004377

REVISIONS		DATE	DWN	APVD
NO.	DESCRIPTION			
A	NEW RELEASE	04DEC2014	TJ	PS

NOTES:  
 1 MATERIAL: ITEM NO. 1: HOUSING - CuZn (BRASS, NICKEL PLATED)  
 ITEM NO. 2: CONTACT BODY - PA  
 ITEM NO. 3: CONTACT - CuZn (BRASS)  
 CONTACT FINISH - AU (GOLD)

2 ALL DIMENSIONS ARE FOR NOMINAL REFERENCE ONLY UNLESS OTHERWISE STATED

TECHNICAL DATA	3-2172070-2	4-2172070-2	5-2172070-2
RATED VOLTAGE	250V	125V	60V
RATED IMPULSE VOLTAGE	2500V	1500V	800V
POLLUTION DEGREE	3	3	3
OVERVOLTAGE CATEGORY	II	II	II
MATERIAL GROUP	III	III	III
RATED CURRENT	4A	4A	2A
VOLUME RESISTIVITY	≤ 3mΩ	≤ 3mΩ	≤ 3mΩ
DEGREE OF PROTECTION	IP68	IP68	IP68
UPPER TEMPERATURE	+85 °C	+85 °C	+85 °C
LOWER TEMPERATURE	-40 °C	+40 °C	+40 °C

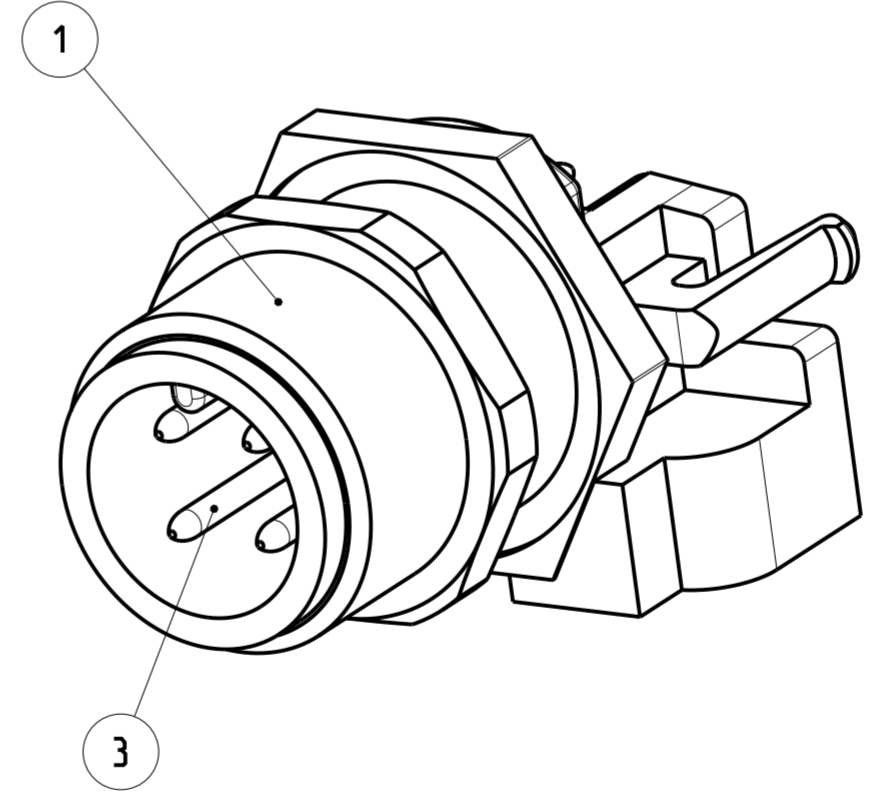


PIN ARRANGEMENT  
 A-CODING (SCALE 2:1)

3-2172070-2	4-2172070-2	5-2172070-2

CONDUCTOR LAYOUT

--	--	--



SIZE ISO 14405 (E)

DIESE ZEICHNUNG IST EIN KONTROLLIERTES DOKUMENT.  
 BEMASSUNGEN UND TOLERANZEN GEMAESS GPS (ISO STANDARDS).

THIS DRAWING IS A CONTROLLED DOCUMENT.  
 DIMENSIONING AND TOLERANCING PER GPS (ISO STANDARDS).

DIMENSIONS: MASSE/MASSEN: [mm]	TOLERANCES UNLESS OTHERWISE SPECIFIED: ALLGEMEINTOLERANZEN	DWN YASHKUMAR 24 JUL 2014
		CHK M. BRUBAKER 24 JUL 2014
		APVD M. BRUBAKER 24 JUL 2014
		NAME M12 RECEPTACLE, MALE, PCB MOUNT, STRAIGHT, A-CODED
MATERIAL SEE NOTES	FINISH/OBERFLAECHE/FARBE SEE NOTES	PRODUCT SPEC 108-19483
		APPLICATION SPEC 114-32127
		WEIGHT -
		Customer Drawing

8	5-2172070-2	
5	4-2172070-2	
4	3-2172070-2	
MATERIAL	NUMBER OF POLES	TE-PART-NO.



SIZE	CAGE CODE	DRAWING NO.	RESTRICTED TO
A2	00779	C-2172070	MUR FUER
SCALE	MASSTAB	4:1	SHEET
			1 OF 1
			REV A

单击下面可查看定价，库存，交付和生命周期等信息

[>>TE Connectivity\(泰科\)](#)